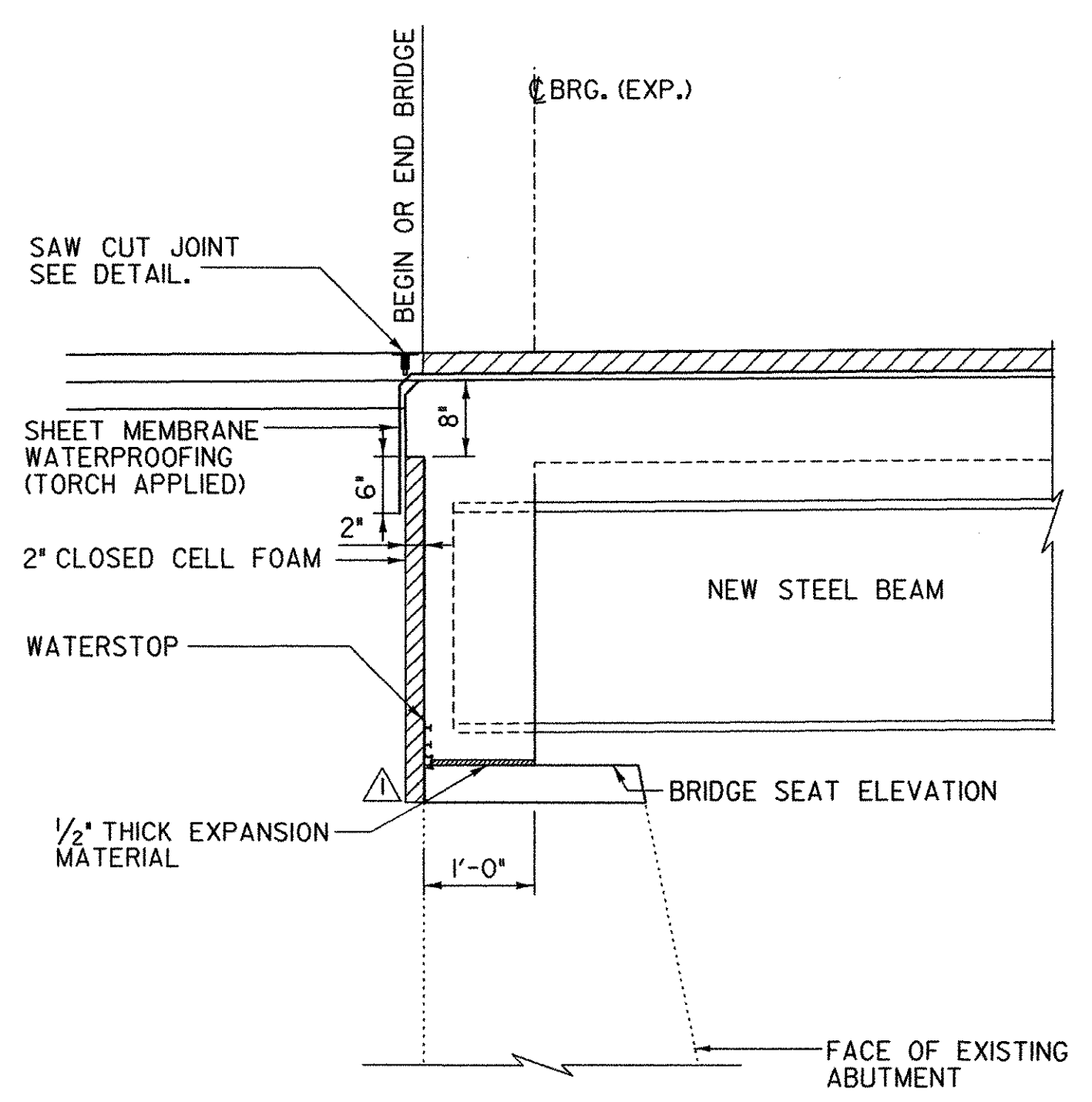
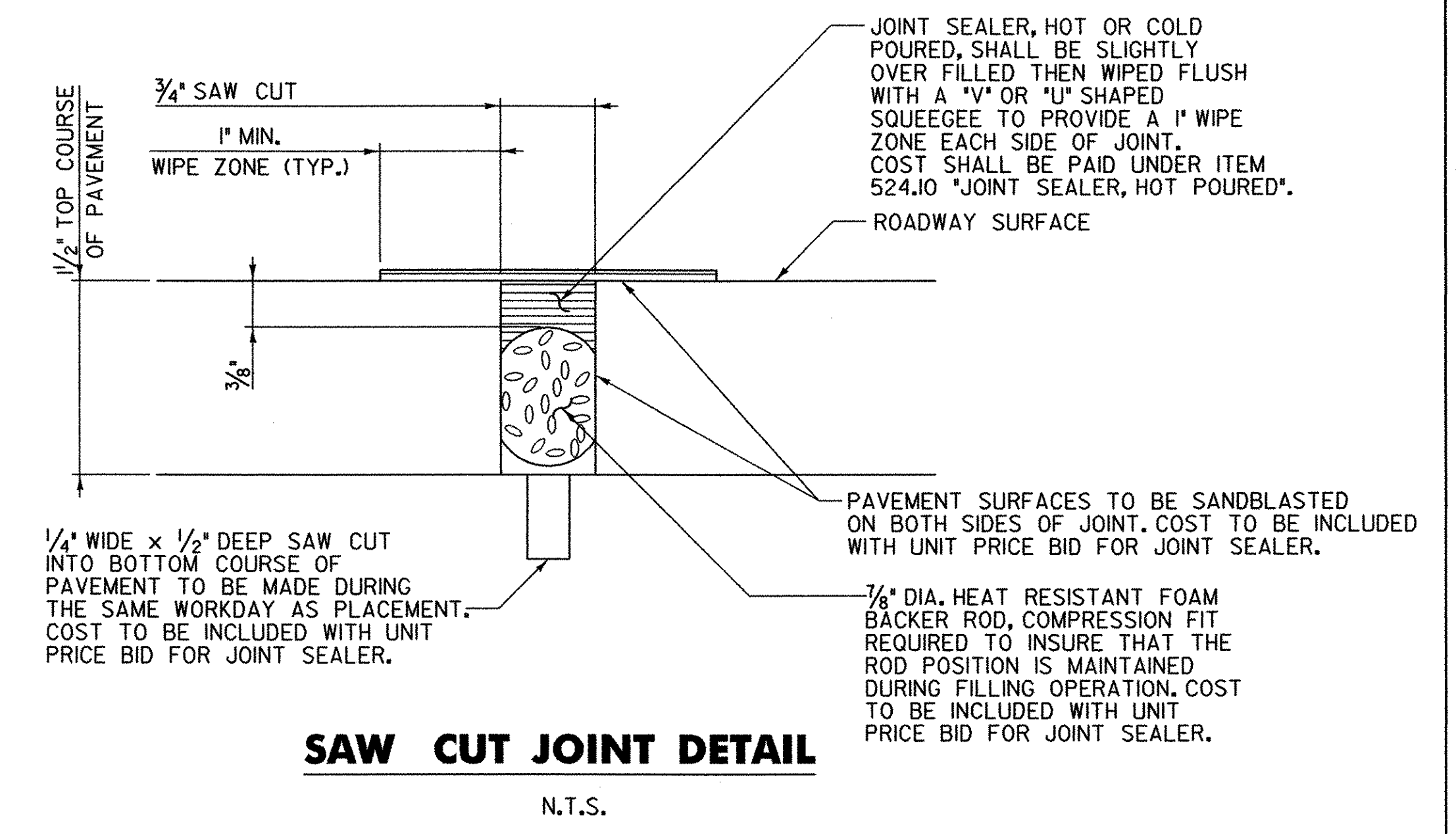


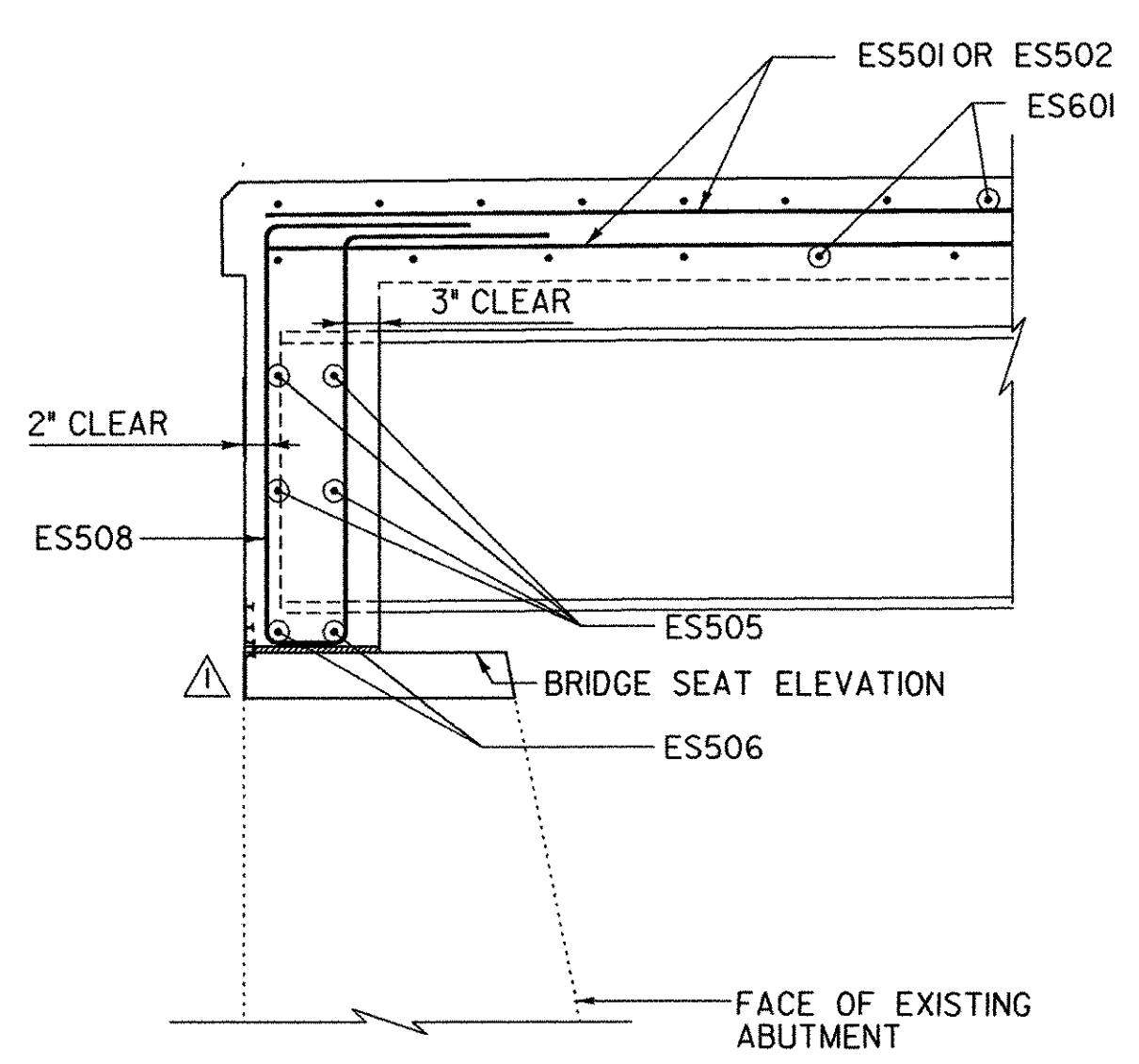
P. V. C. WATERSTOP FOR EXPANSION END

NOTE: FOR INSTALLATION, REMOVE BOTTOM HOOKS. THE COSTS FOR P. V. C. WATERSTOP SHALL BE INCLUDED IN THE UNIT PRICE BID FOR CONCRETE.



SECTION A-A

SCALE $\frac{3}{4}" = 1'-0"$



SECTION B-B

SCALE $\frac{3}{4}" = 1'-0"$

REVISIONS			STATE OF VERMONT AGENCY OF TRANSPORTATION	
NO.	DESCRIPTION	BY & DATE	Town Of	Bridge No.
1	ADDED ABUTMENT CAP TO ABUTMENT SECTIONS	APG 2/3/04	CHESTER	11
2	REMOVED SHIM PLATE FROM BEARING ASSEMBLY IN CURTAIN WALL ELEVATION	APG 2/3/04	Highway No. TH 5	Log Sta. - Surv. Sta. -
			CHURCH STREET OVER WILLIAMS RIVER	
CURTAIN WALL DETAILS				
Designed By G. J. WOJCIECHOWSKI			Drawn By G. J. WOJCIECHOWSKI	
Checked By	Date	Bridge Design Supervisor		
J. TUCKER	03/01	J. TUCKER	Date 03/01	
PROJECT			PROJECT NO.	
CHESTER			BHO 1442 (32)	
I.G.C. Info.			...zj365dl3.dgn	
D & K DWG NO. 11356			Sheet 13 of 22	

