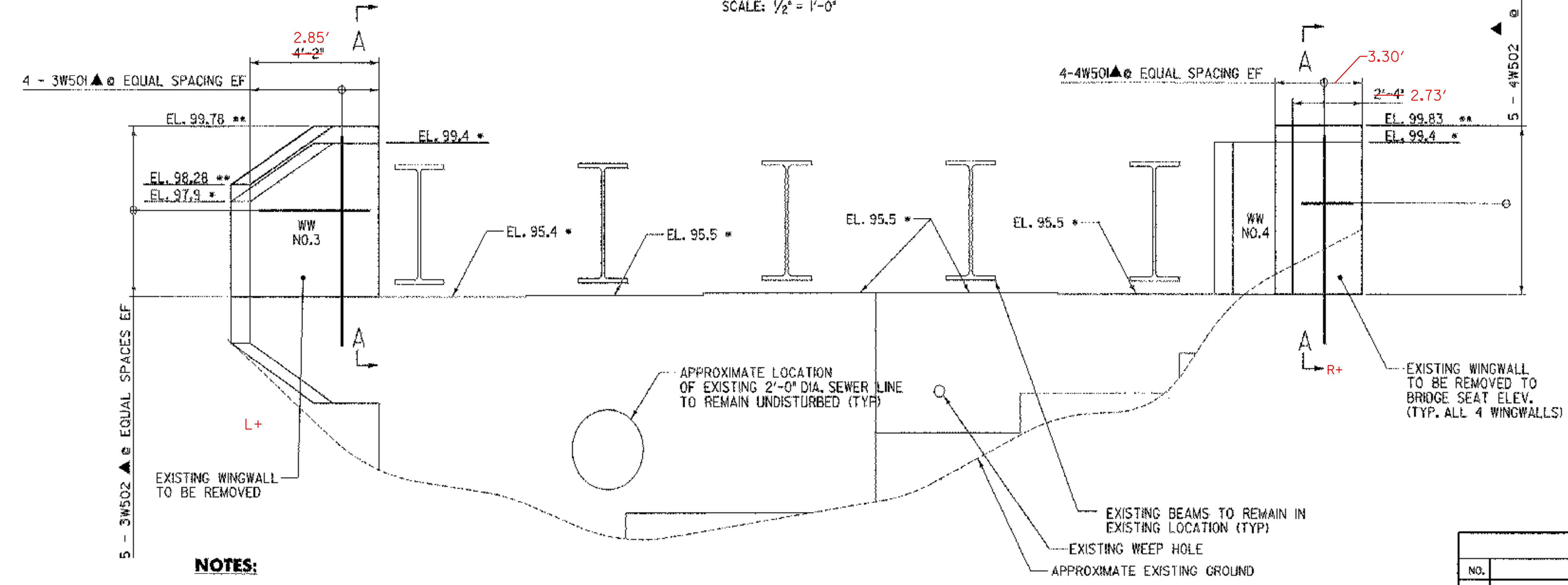
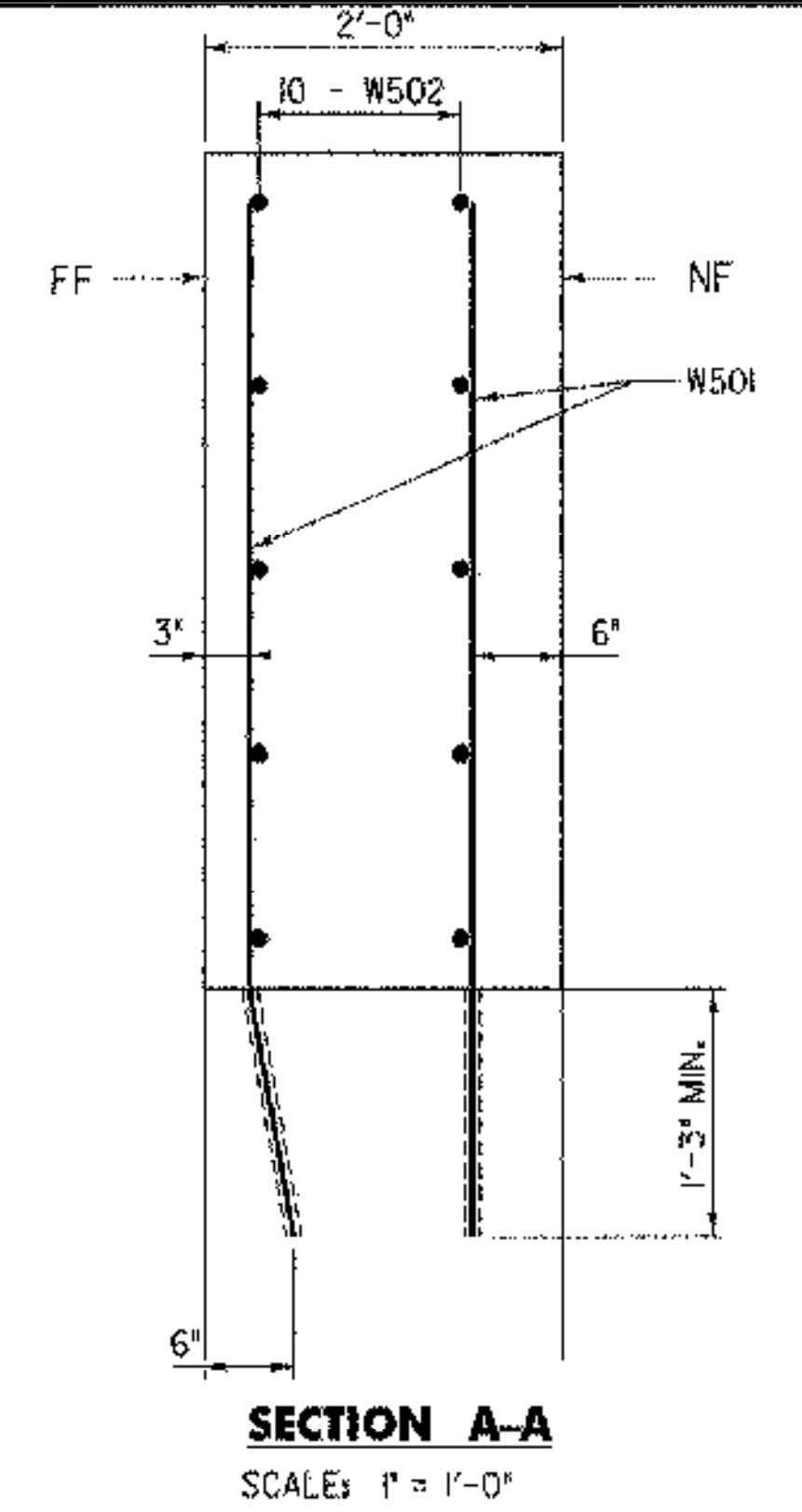


**ABUTMENT NO. 1 - ELEVATION**  
SCALE: 1/2" = 1'-0"

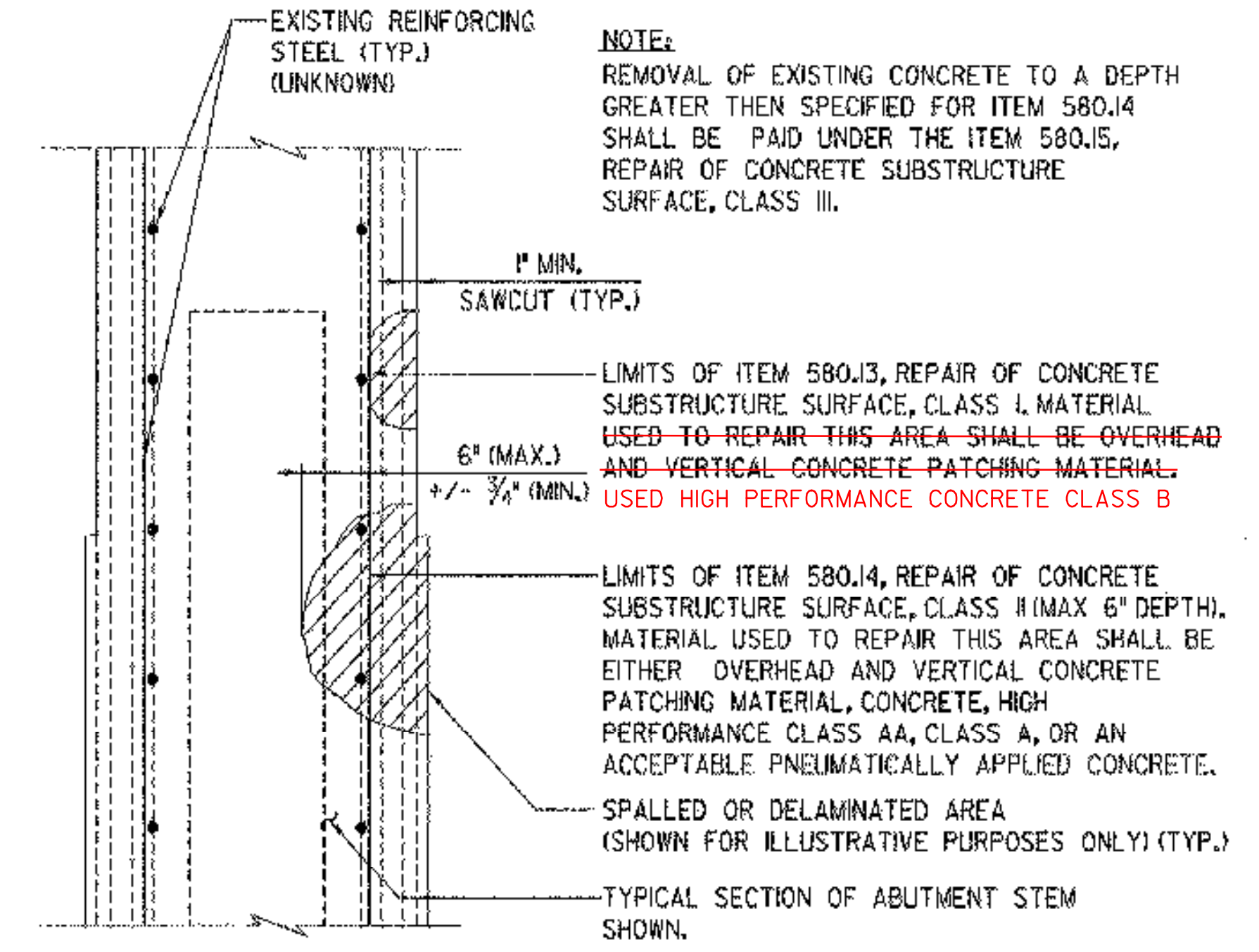


**ABUTMENT NO. 2 - ELEVATION**  
SCALE: 1/2" = 1'-0"



**SECTION A-A**  
SCALE: 1" = 1'-0"

**NOTE:**  
REMOVAL OF EXISTING CONCRETE TO A DEPTH GREATER THEN SPECIFIED FOR ITEM 580J4 SHALL BE PAID UNDER THE ITEM 580J5, REPAIR OF CONCRETE SUBSTRUCTURE SURFACE, CLASS III.



**REPAIR OF CONCRETE SUBSTRUCTURE SURFACE CLASS I OR CLASS II**

N.T.S. DENOTES LIMITS OF REMOVAL  
\* APPROXIMATE EXISTING ELEVATION

- NOTES:**
1. THE CONCRETE FOR THE WINGWALLS SHALL NOT BE PLACED UNTIL THE BEAMS HAVE BEEN PROFILED AND THE FINISHED GRADE HAS BEEN ESTABLISHED.
  2. A GEOTEXTILE FABRIC FOR FILTER SHALL BE PLACED ON ALL AREAS OF THE GABION WALL WHICH IS IN CONTACT WITH BACKFILL (BACK, SIDES, BOTTOM). PAYMENT SHALL BE MADE UNDER ITEM 649.3f, "GEOTEXTILE UNDER STONE FILL".
  3. CONCRETE SURFACES SHALL BE REPAIRED AS DESCRIBED IN CONSTRUCTION NOTE 3 ON SHEET 9.
  4. PLAN VIEW OF WINGWALLS IS UNCHANGED FROM EXISTING WINGWALLS. SEE PLAN VIEW ON SHEET 8.

- \* APPROXIMATE EXISTING ELEVATION
- \*\* PROPOSED ELEVATION TO BE AT DECK JOINT (SCORE MARK) AND VERIFIED IN THE FIELD

**NOTE:**  
NF = NEAR FACE  
FF = FAR FACE  
EF = EACH FACE  
▲ = CUT TO FIT IN FIELD

PLOTTED 02/03/2004

REVISIONS		
NO.	DESCRIPTION	BY & DATE

<b>STATE OF VERMONT AGENCY OF TRANSPORTATION</b>	
Town Of <b>BRATTLEBORO</b>	Bridge No. <b>34</b>
Highway No. <b>378</b>	Log Sta. Surv. Sta.
<b>TH 378 (WILLIAMS STREET) OVER WHETSTONE BROOK</b>	
<b>ABUTMENT MODIFICATIONS</b>	
Designed By <b>R. L. JOY</b>	Drawn By <b>E. B. SMALL</b>
Checked By <b>J. W. TUCKER</b>	Date <b>04/01</b>
<b>PROJECT BRATTLEBORO</b>	
<b>PROJECT NO. BHF 2000 (22)</b>	
I.G.C. Info. <b>...zj228d+5.dgn</b>	Sheet <b>14</b> of <b>20</b>
D & K DWG NO. <b>#379</b>	

