

THIS DOCUMENT MUST NOT BE COPIED OR MODIFIED WITHOUT PERMISSION OF JEFFORDS STEEL & ENGINEERING. VIOLATORS WILL BE PROSECUTED UNDER PENALTY OF LAW. CHARGES FOR CORRECTIVE WORK WILL NOT BE HONORED UNLESS PREVIOUS APPROVAL IS OBTAINED FROM JEFFORDS STEEL AND ENGINEERING COMPANY.

Vermont Agency of Transportation
RECEIVED

CK'D BY RJ OK'D BY KMH

10:47 am, May 05, 2010

RESUBMIT APPROVED X

BY KMH DATE 5-5-2010

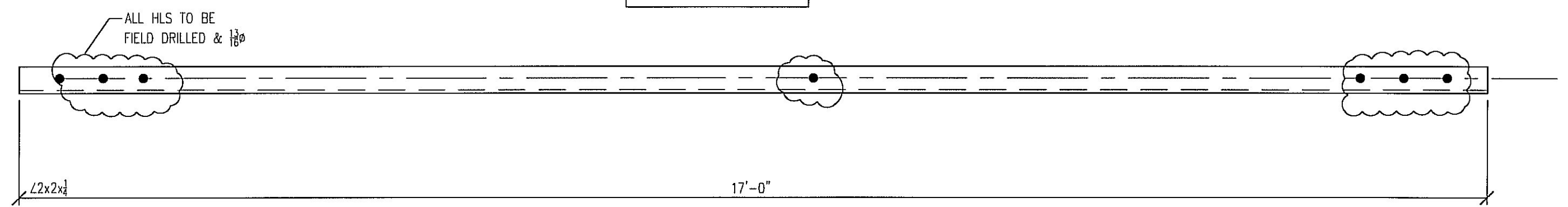
BILL OF MATERIAL

QTY	MARK	MATERIAL	LENGTH		REMARKS	WGHT
			FEET	INCHES		
4	5X3	L2x2x1/4	17	0		

A529/A572/A992 GR.50

SHOP NOTE: EASE ALL SHARP EDGES

FIELD CUT TO LGTH & FIELD DRILL



4~5X3
MATCH EXISTING PIECE MRK'D "X3"

project: ALPINE CONSTRUCTION
10 BROAD ST
SCHUYLERVILLE, NY 12871
customer: TUNBRIDGE BRIDGE
3 BEST AVENUE
MECHANICVILLE, NY 12118

Jeffords
STEEL AND ENGINEERING COMPANY
P.O. BOX 40-4398 ROUTE #22
PLATTSBURGH, N.Y. 12901
518-561-4061

JOB No: 4022-1000
DATE: 3-11-10
DRAWN BY: ARH
CHECKED BY: MCB
5

HOLES: 19/16" U.N.O.
SURFACE PREP: N/A
PAINT: N/A
ELECTRODES: E70XX (LOW HYDROGEN)
STD COPE: 1/2" min.

revision			print record	
#	date	description		
1	3-24	ADD'ED DIM	2	SHOP 3-18
2	4-27	OMIT HLS	2	SHOP 3-25
