

THIS DOCUMENT MUST NOT BE COPIED OR MODIFIED WITHOUT PERMISSION OF JEFFERDS STEEL & ENGINEERING. VIOLATORS WILL BE PROSECUTED UNDER PENALTY OF LAW. CHARGES FOR CORRECTIVE WORK WILL NOT BE HONORED UNLESS PREVIOUS APPROVAL IS OBTAINED FROM JEFFERDS STEEL AND ENGINEERING COMPANY.

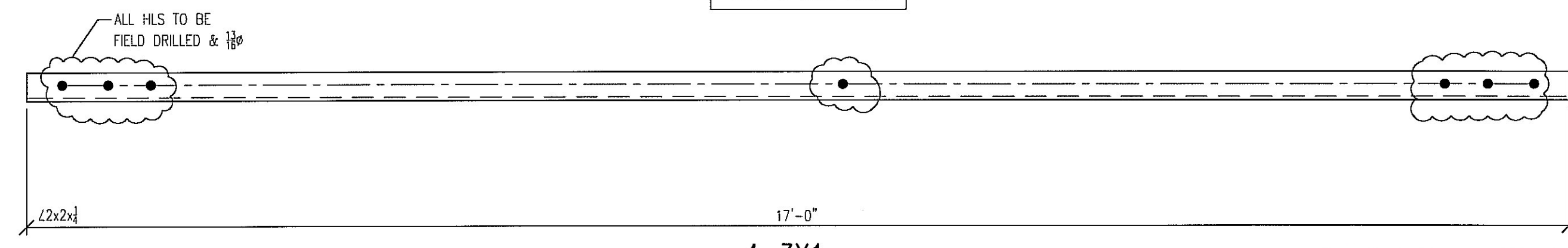
BILL OF MATERIAL

QTY	MARK	MATERIAL	LENGTH		REMARKS	WGHT
			FEET	INCHES		
4	3X1	L2x2x1/4	17	0		

A529/A572/A992 GR.50

SHOP NOTE: EASE ALL SHARP EDGES

FIELD CUT TO LGTH & FIELD DRILL



4~3X1
MATCH EXISTING PIECE MRK'D "X1"

Vermont Agency of Transportation
RECEIVED
CK'D BY RJ OK'D BY KMH
10:47 am, May 05, 2010
RESUBMIT X APPROVED
BY KMH DATE 5-5-2010

project: ALPINE CONSTRUCTION
10 BROAD ST
SCHUYLERVILLE, NY 12871
customer: TUNBRIDGE BRIDGE
3 BEST AVENUE
MECHANICVILLE, NY 12118

Jeffords
STEEL AND ENGINEERING COMPANY
P.O. BOX 40-4398 ROUTE #22
PLATTSBURGH, NY 12801
518-561-4881

JOB NO: 4022-1000
DATE: 3-11-10
DRAWN BY: ARH
CHECKED BY: MCB
3

HOLES: 13/16" U.N.O.
SURFACE PREP: SSPC-SP2
PAINT: 1 S/C PPG 84-232 GRAY
ELECTRODES: E70XX (LOW HYDROGEN)
STD COPE: 1/8" min.

revision			print record	
#	date	description	2	SHOP
1	3-24	ADD'ED DIM	2	SHOP
2	4-27	OMIT HLS	2	SHOP