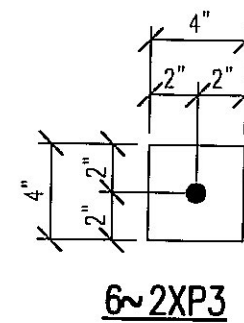
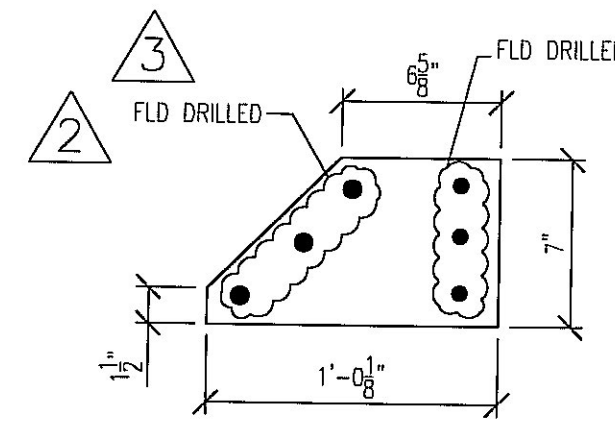
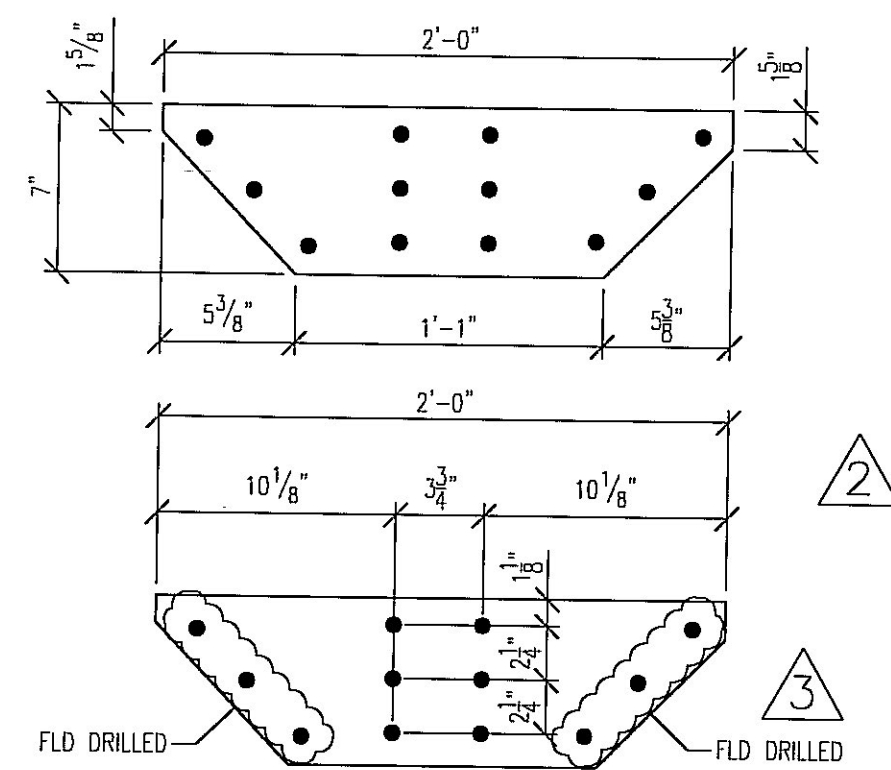


THIS DOCUMENT MUST NOT BE COPIED OR MODIFIED WITHOUT PERMISSION OF JEFFORDS STEEL & ENGINEERING. VIOLATORS WILL BE PROSECUTED UNDER PENALTY OF LAW. CHARGES FOR CORRECTIVE WORK WILL NOT BE HONORED UNLESS PREVIOUS APPROVAL IS OBTAINED FROM JEFFORDS STEEL AND ENGINEERING COMPANY.

SHOP NOTE:
 -EASE ALL SHARP EDGES
 -DRILL ALL HLS

BILL OF MATERIAL A572/A992 GR.50

QTY	MARK	MATERIAL	LENGTH		REMARKS	WGHT
			FEET	INCHES		
10	2XP1	R 1/4x7	2	0	A572/A992	110
4	2XP2	R 1/4x7	1	0 1/8	A572/A992	25
6	2XP3	R 1/4x4	0	4	A572/A992	



Vermont Agency of Transportation

RECEIVED

CK'D BY RJ OK'D BY KMH

10:47 am, May 05, 2010

RESUBMIT APPROVED X
 BY KMH DATE 5-5-2010

project: ALPINE CONSTRUCTION
 10 BROAD ST
 SCHUYLERVILLE, NY 12871
 customer: TUNBRIDGE BRIDGE
 3 BEST AVENUE
 MECHANICVILLE, NY 12118

Jeffords
 STEEL AND ENGINEERING COMPANY
 P.O. BOX 40-4388 ROUTE #22
 PLATTSBURGH, NY 12501
 518-581-4061

JOB No: 4022-1000
 DATE: 3-11-10
 DRAWN BY: ARH
 CHECKED BY: MCB

HOLES: 13/16" U.N.O.
 SURFACE PREP: N/A
 PAINT: N/A
 ELECTRODES: N/A
 STD COPE: 1/2" min.

revision		print record	
#	date	description	
1	3-26	ADDED DIMS	2 SHOP 3-19
2	3-31	REV'D DIMS	2 SHOP 3-26
3	4-28	REV'D HLS	2 SHOP 3-31
4	5-4	REV'D PER APP'L & GC	