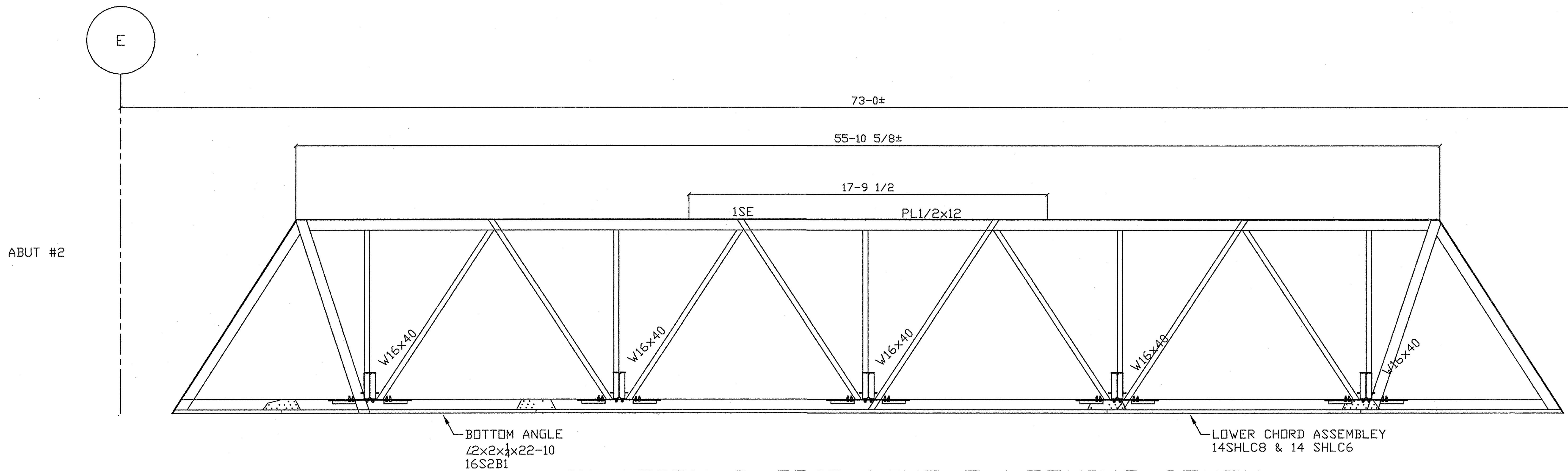


SECTION @ GRID LINE T- LOOKING SOUTH

REF. PG/ 18



ELEVATION @ GRID LINE T-LOOKING SOUTH

REF. PG/ 18