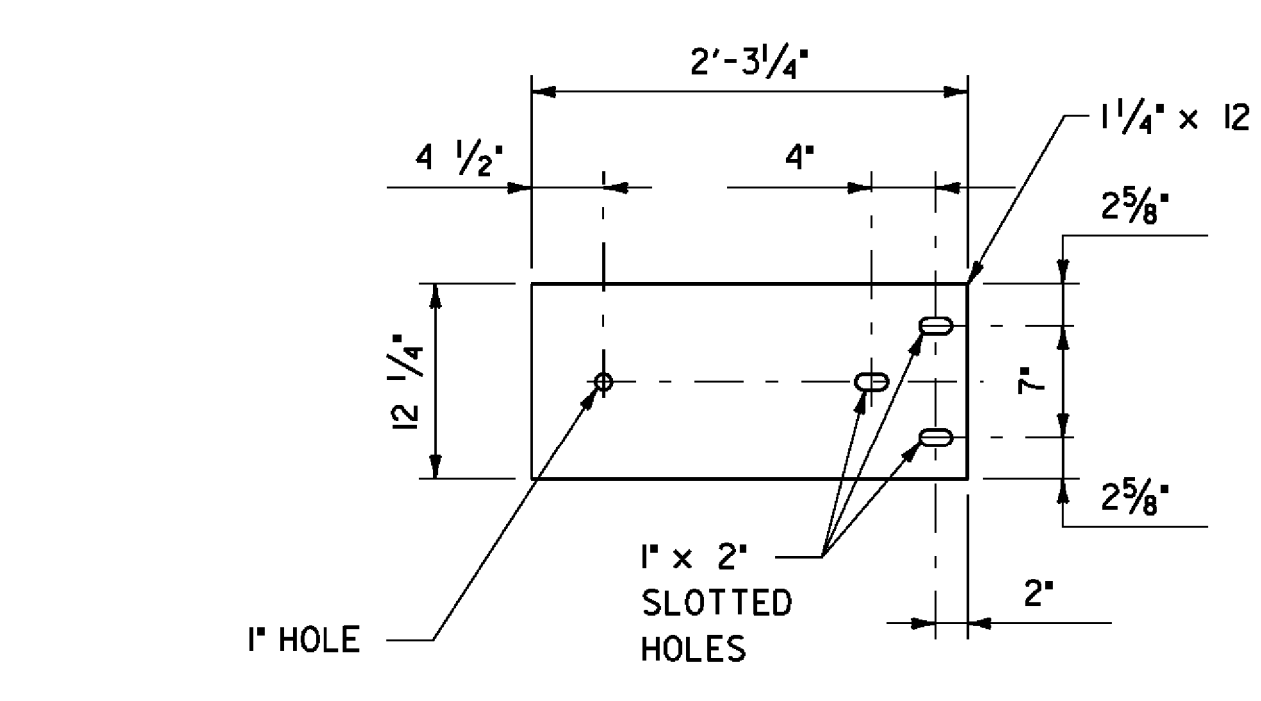


APPROACH RAIL DETAILS

SCALE: 3/4" = 1'-0"

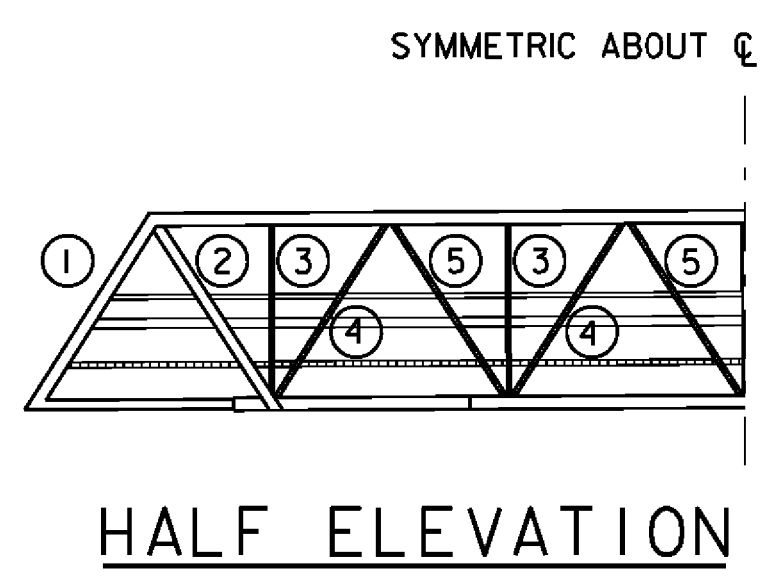
* DOUBLE NEST ADDITIONAL GUARDRAIL SECTION WITH INCOMING GUARDRAIL PANEL AND ATTACH TO TERMINAL CONNECTOR.
 ** TWIN 5x10 CONNECTED WITH CARRIAGE BOLTS.



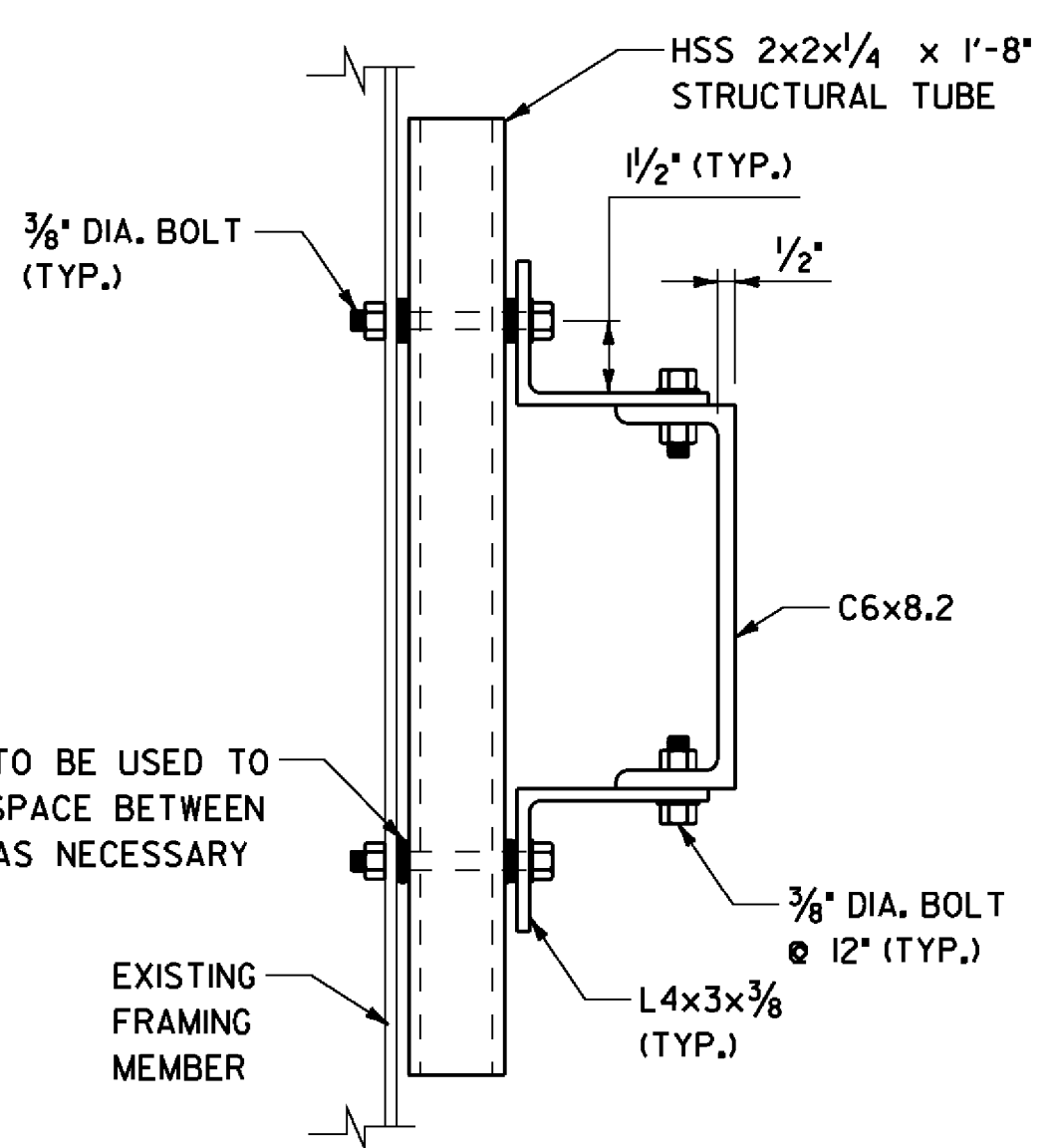
ANCHORAGE PLATE DETAILS

(SEE NOTE 2)
 SCALE: 1" = 1'-0"

WASHERS TO BE USED TO TAKE UP SPACE BETWEEN MEMBERS AS NECESSARY (TYP.)



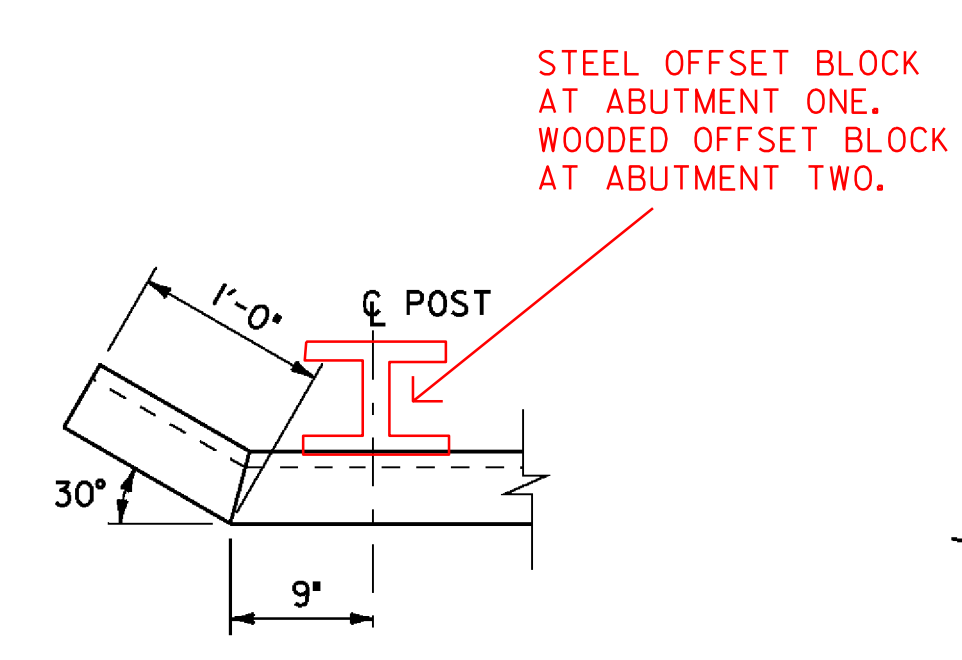
HALF ELEVATION



TYPICAL SECTION

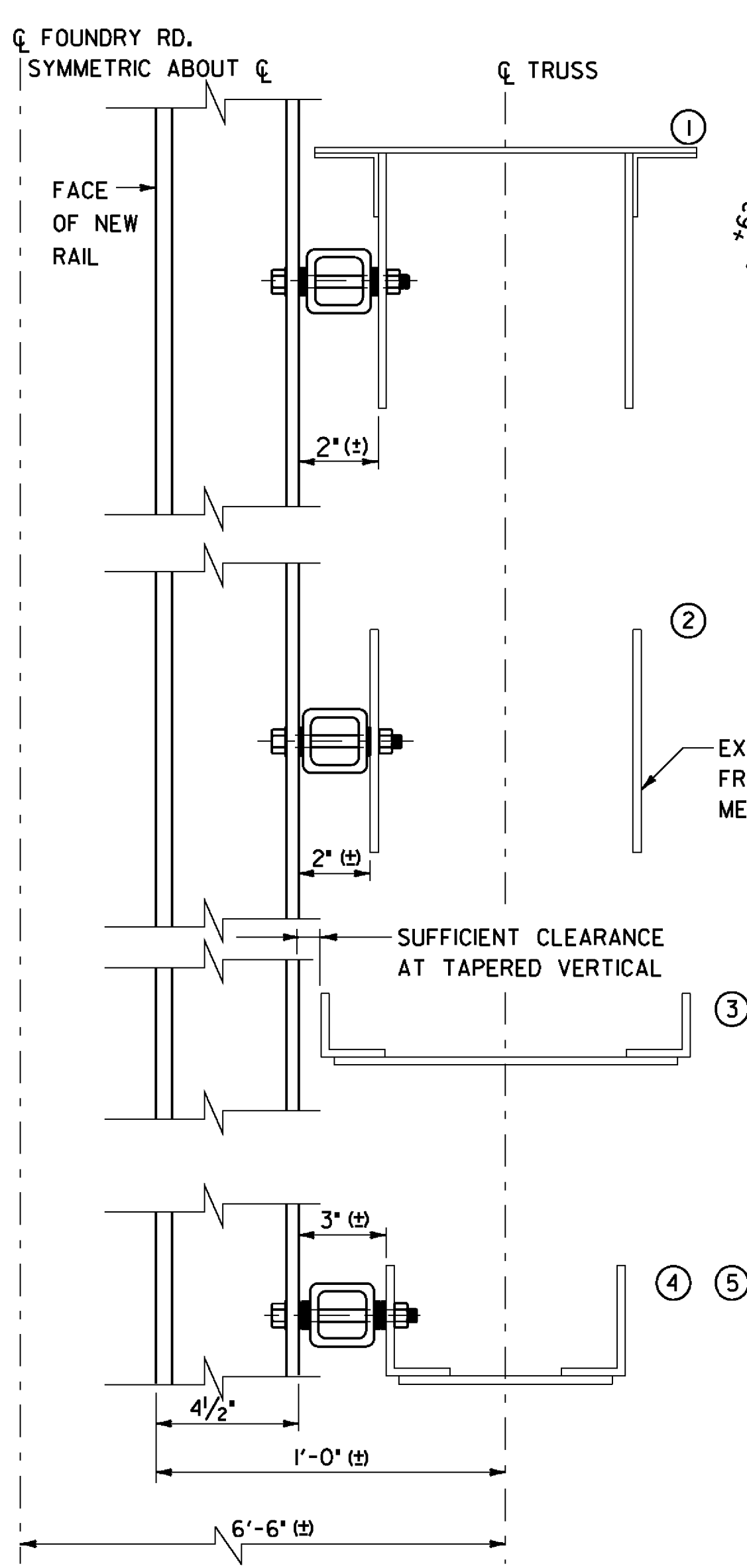
LOWER RAIL CONNECTION DETAILS

SCALE: 3" = 1'-0"



PLAN-HANDRAIL DETAIL

SCALE: 1" = 10'-0"

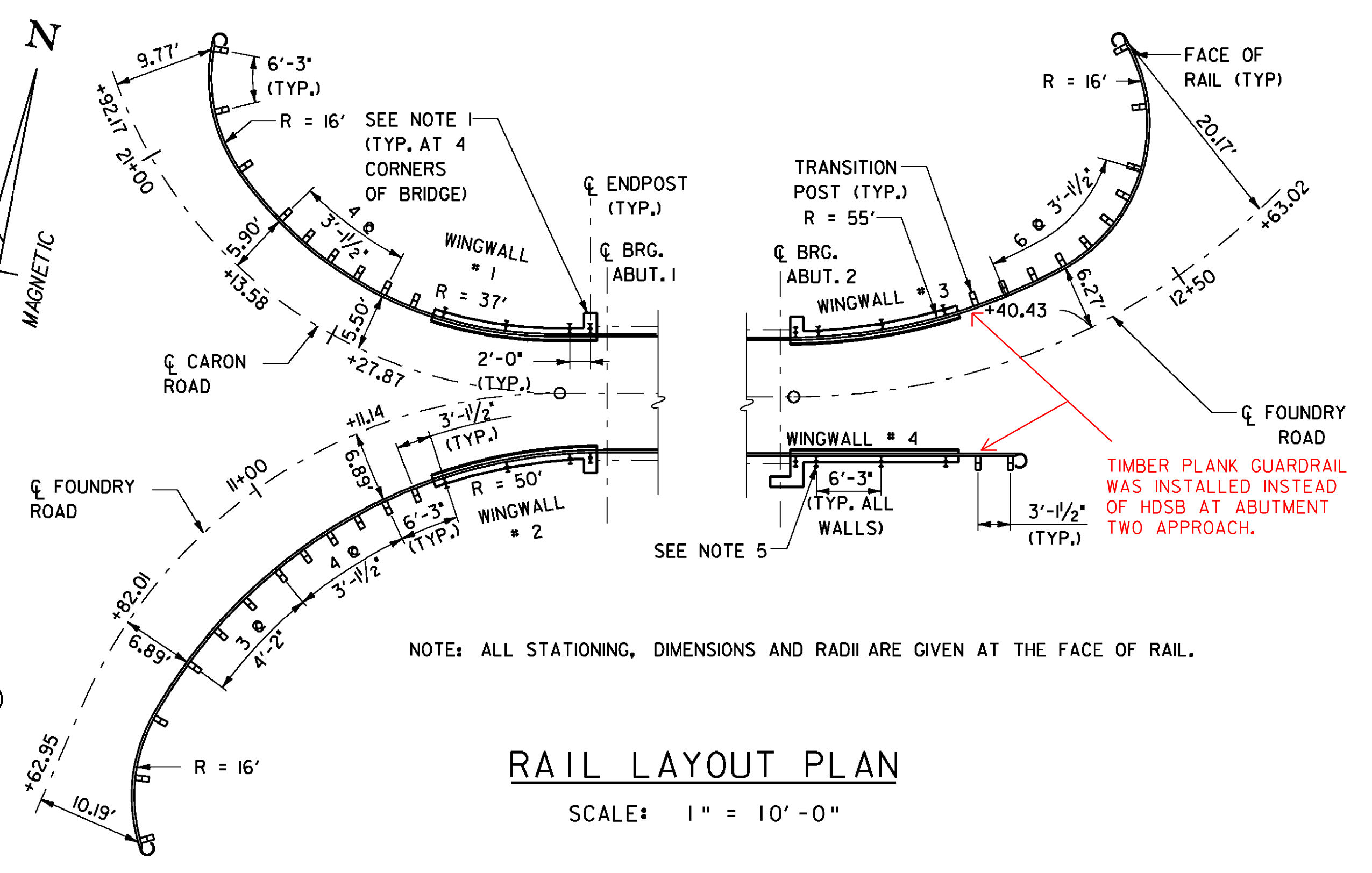


SECTION VIEW

LOWER RAIL CONNECTION DETAILS

SCALE 2" = 1'-0"

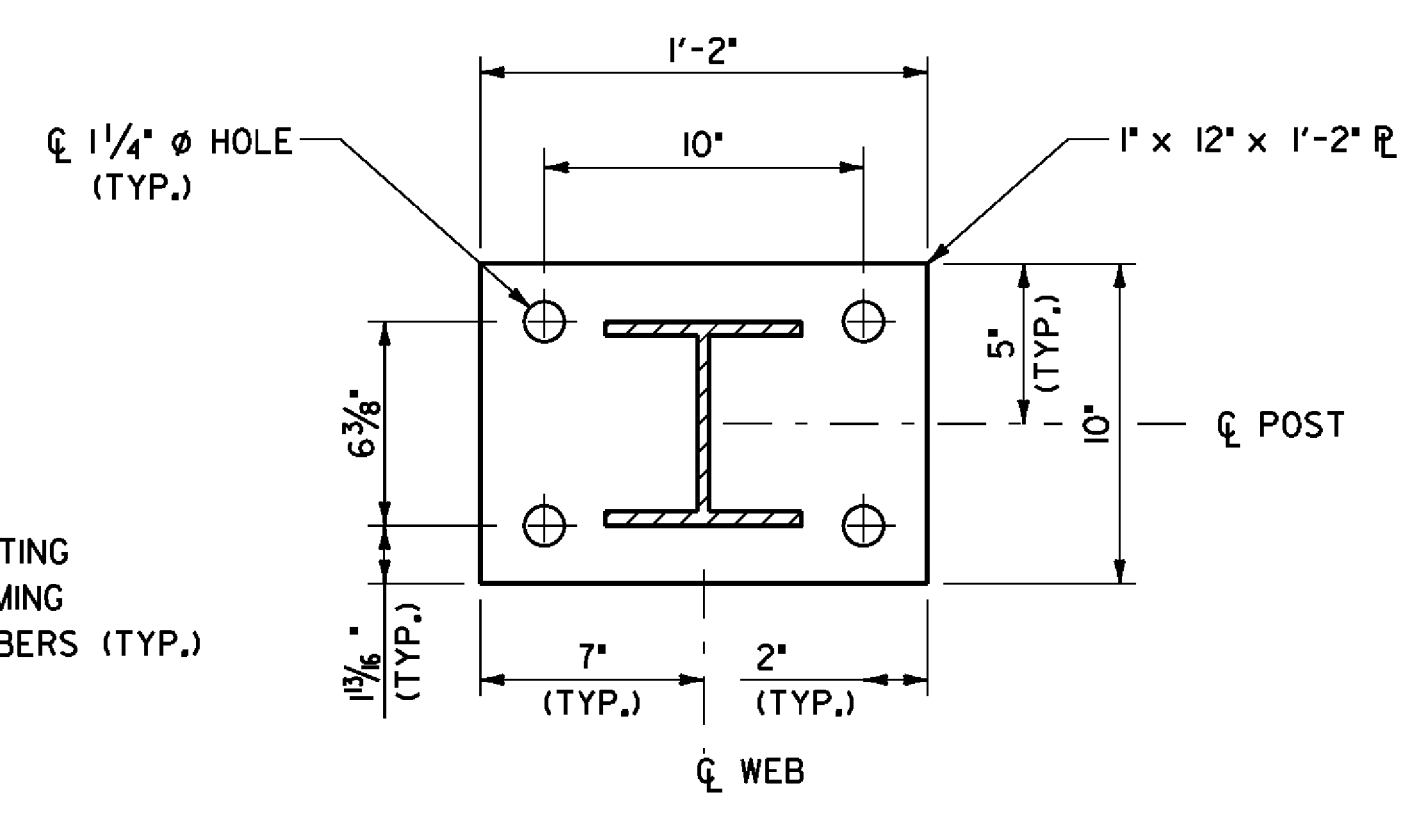
SCALE 3" = 1'-0"



RAIL LAYOUT PLAN

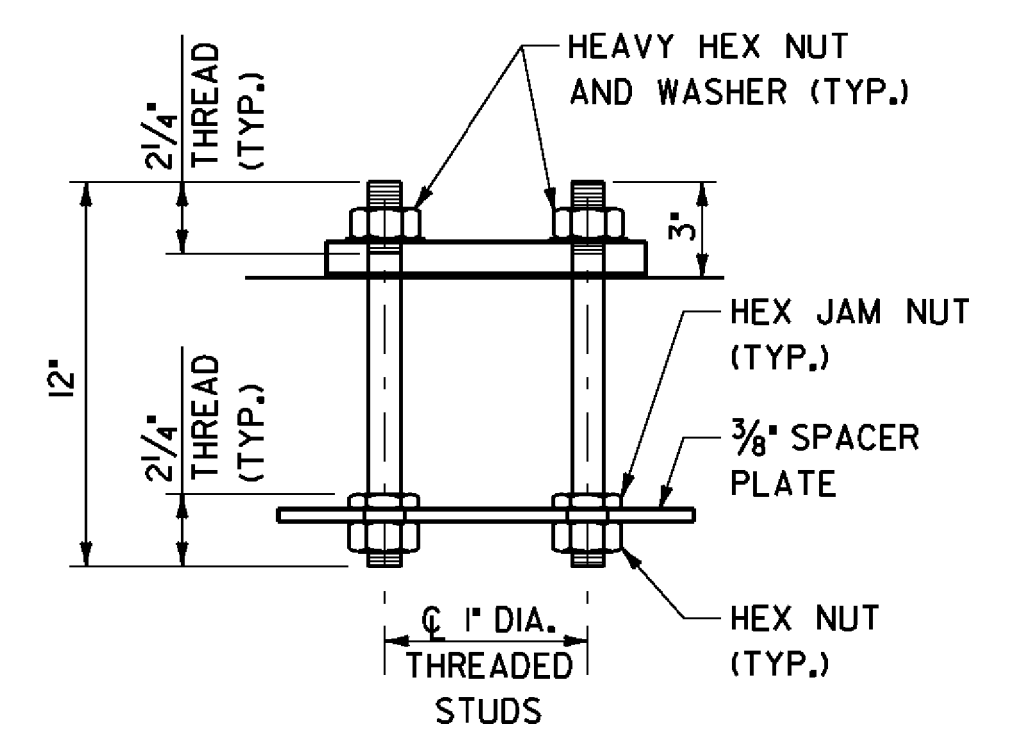
SCALE: 1" = 10'-0"

NOTE: ALL STATIONING, DIMENSIONS AND RADII ARE GIVEN AT THE FACE OF RAIL.



POST AND BASE PLATE

SCALE: 2" = 1'-0"



RAIL POST ANCHORAGE

SCALE: 2" = 1'-0"

NOTES

1. ANCHOR U-BOLTS SHALL BE ADJUSTED TO ACCOMODATE THE 1" ANCHORAGE PLATE.
2. THE ANCHORAGE PLATES SHALL BE ASTM A36 STEEL AND GALVANIZED TO ASTM A123 AFTER FABRICATION. COST SHALL BE INCLUDED IN ITEM 506.60.
3. THE PRICE BID EACH FOR ITEM 621.53, TERMINAL CONNECTOR FOR STEEL BEAM GUARDRAIL, SHALL INCLUDE MATERIALS AS WELL AS THE FURNISHING OF ALL LABOR, TOOLS, EQUIPMENT, AND INCIDENTALS NECESSARY TO COMPLETE THE INSTALLATION OF EACH TERMINAL CONNECTOR AS DETAILED ON THIS SHEET.
4. SEE STANDARDS G-1, G-1d, AND G-16 FOR ADDITIONAL DETAILS.
5. THE CONTRACTOR'S ATTENTION IS DIRECTED TO THE CLOSE PROXIMITY OF A NEW GUARD RAIL POST TO THE EXISTING CHIMNEY. THE CONTRACTOR SHALL SUBMIT TO THE ENGINEER FOR APPROVAL HIS METHODS OF DRIVING POST SO AS NOT TO DAMAGE THE EXISTING BUILDING.

SCALE 3/4" = 1'-0"

SCALE 1" = 10'-0"

SHEET NAME: RAIL LAYOUT AND DETAILS	
PROJECT NAME: TUNBRIDGE	
PROJECT NUMBER: BRO 1444 (39)	
FILE NAME: z99J10gr1.dgn	PLOT DATE: 29-APR-2009
PROJECT LEADER: K.M. Higgins	DRAWN BY: P. Dustin
DESIGNED BY: N. Powelson	CHECKED BY: R. Joy
	SHEET 27 OF 32

