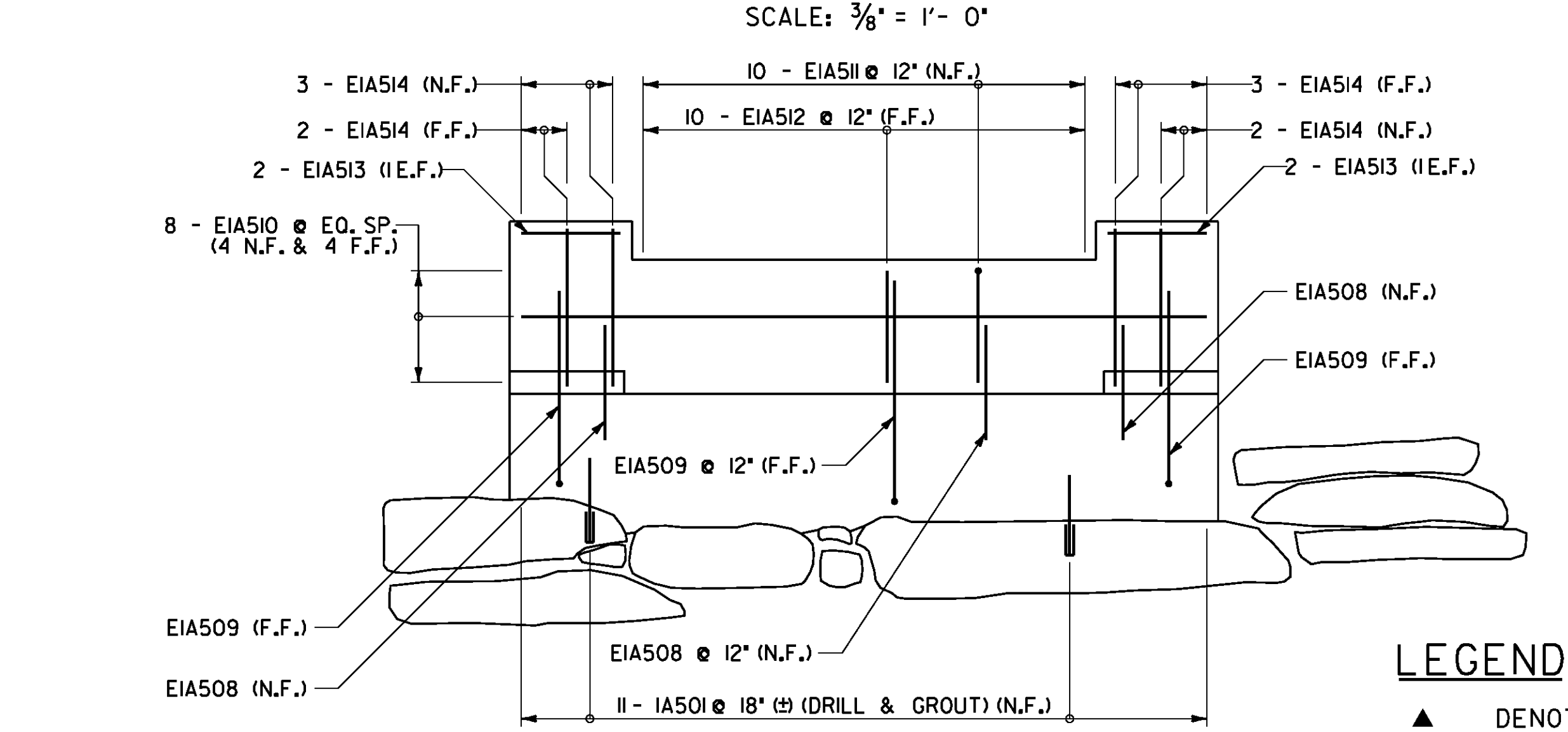


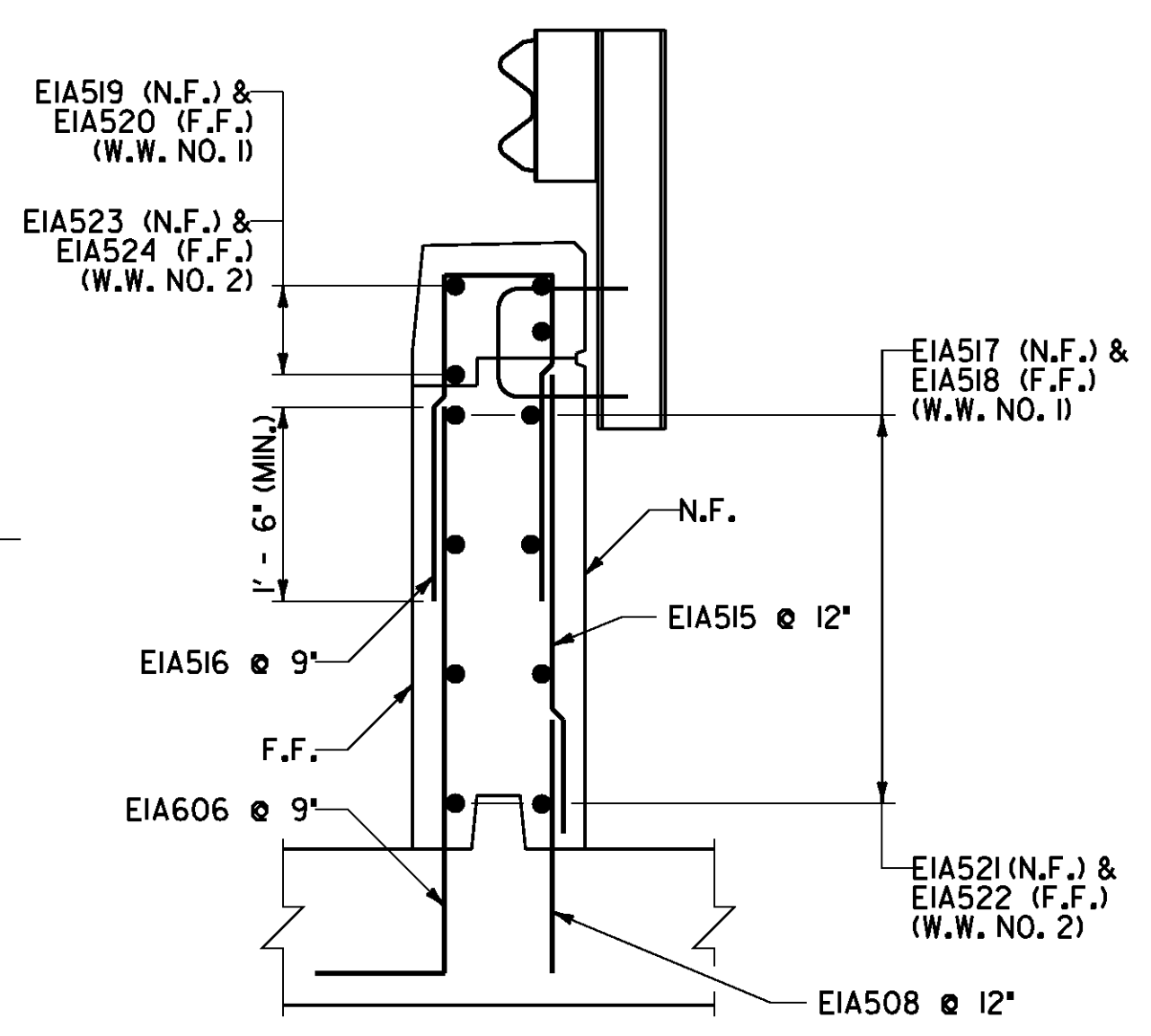
PLAN - ABUTMENT NO. 1

SCALE: 3/8" = 1'- 0"



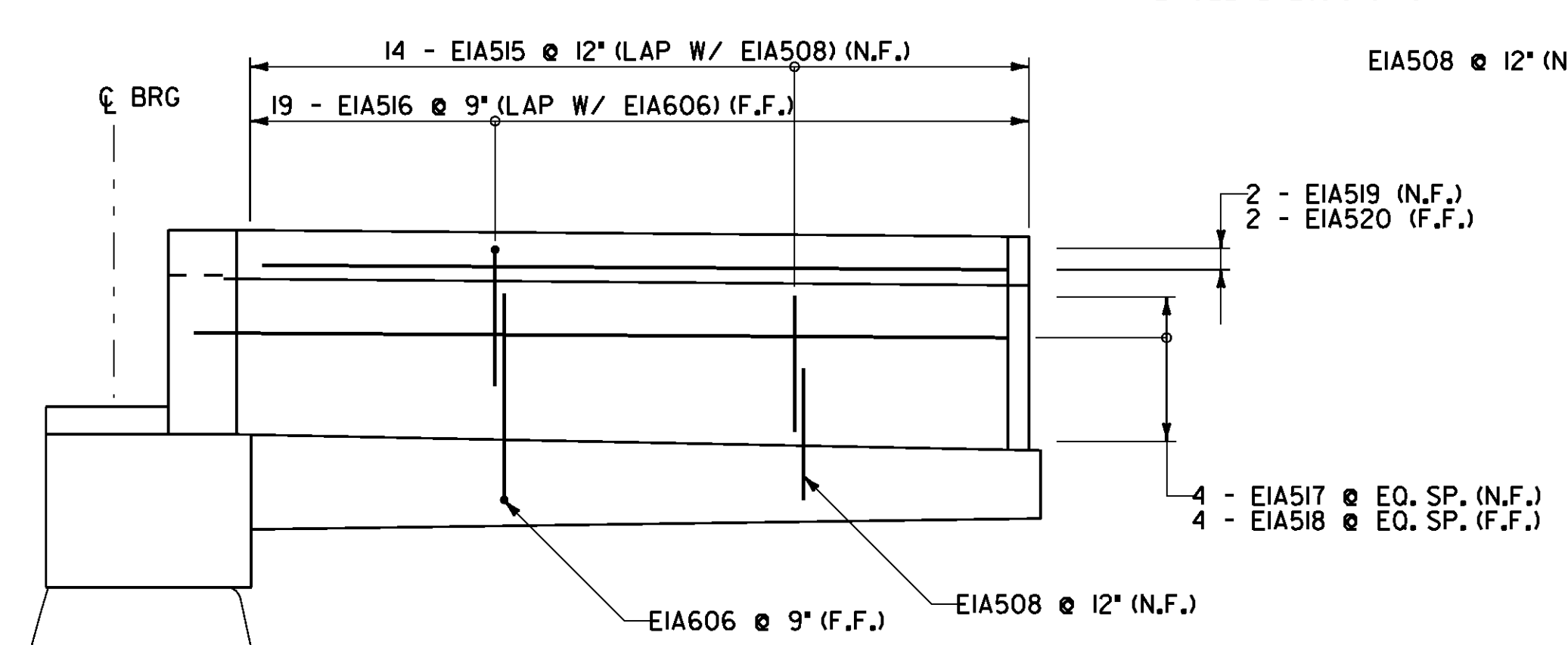
ELEVATION - ABUTMENT NO. 1

SCALE: 3/8" = 1'- 0"



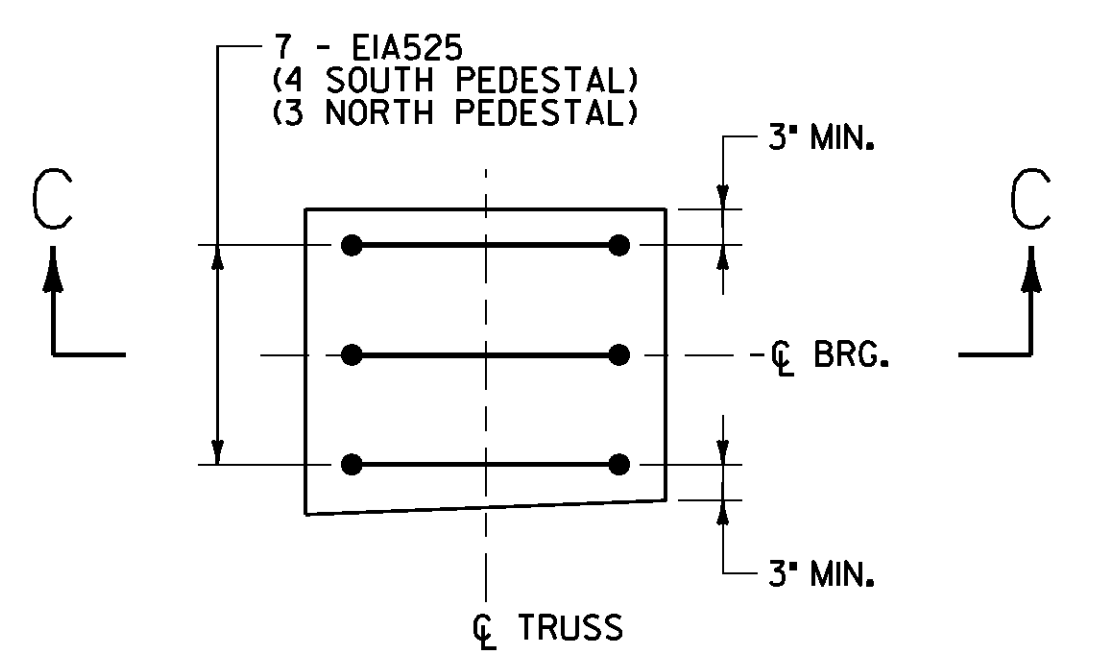
SECTION B-B

SCALE: 3/4" = 1'- 0"



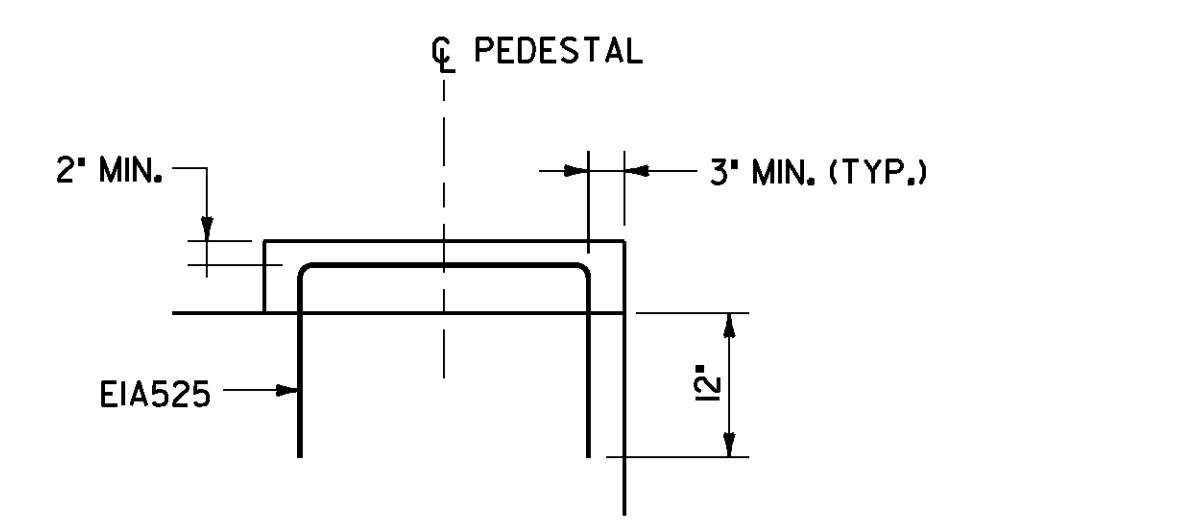
ELEVATION - WINGWALL NO. 1

SCALE: 3/8" = 1'- 0"



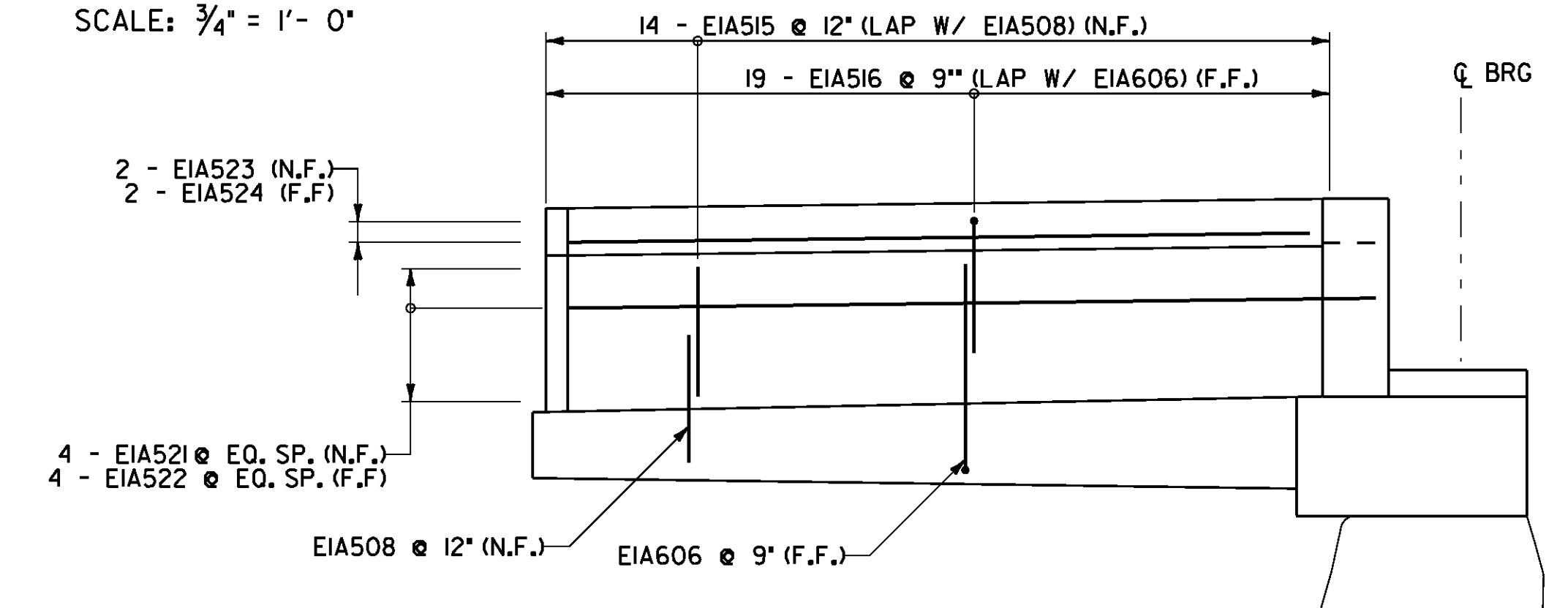
PLAN - PEDESTAL

SCALE: 3/4" = 1'- 0"



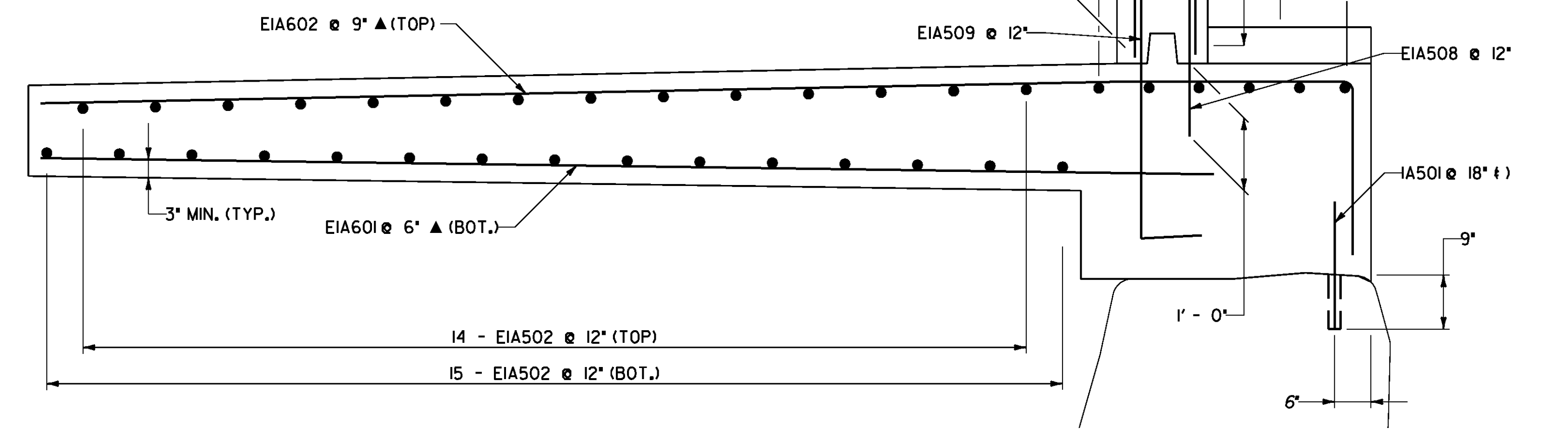
SECTION C-C

SCALE: 3/4" = 1'- 0"



ELEVATION - WINGWALL NO. 2

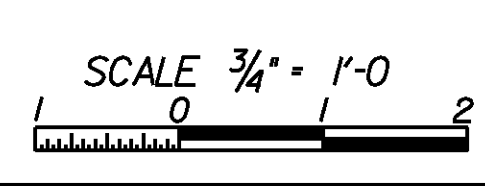
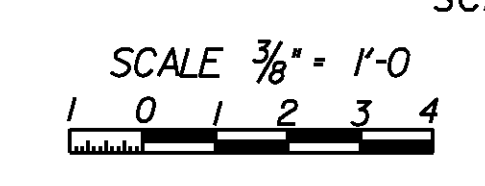
SCALE: 3/8" = 1'- 0"



SECTION A-A

SCALE: 3/4" = 1'- 0"

- LEGEND**
- ▲ DENOTES BARS TO BE CUT IN THE FIELD
 - E.F. EACH FACE
 - N.F. NEAR FACE
 - F.F. FAR FACE



SHEET NAME: ABUTMENT NO. 1 REINFORCEMENT	
PROJECT NAME: TUNBRIDGE	
PROJECT NUMBER: BRO 1444 (39)	
FILE NAME: z99J110air.dgn	PLOT DATE: 29-APR-2009
PROJECT LEADER: K.M. Higgins	DRAWN BY: P. Dustin
DESIGNED BY: N. Powelson	CHECKED BY: R. Joy
	SHEET 24 OF 32