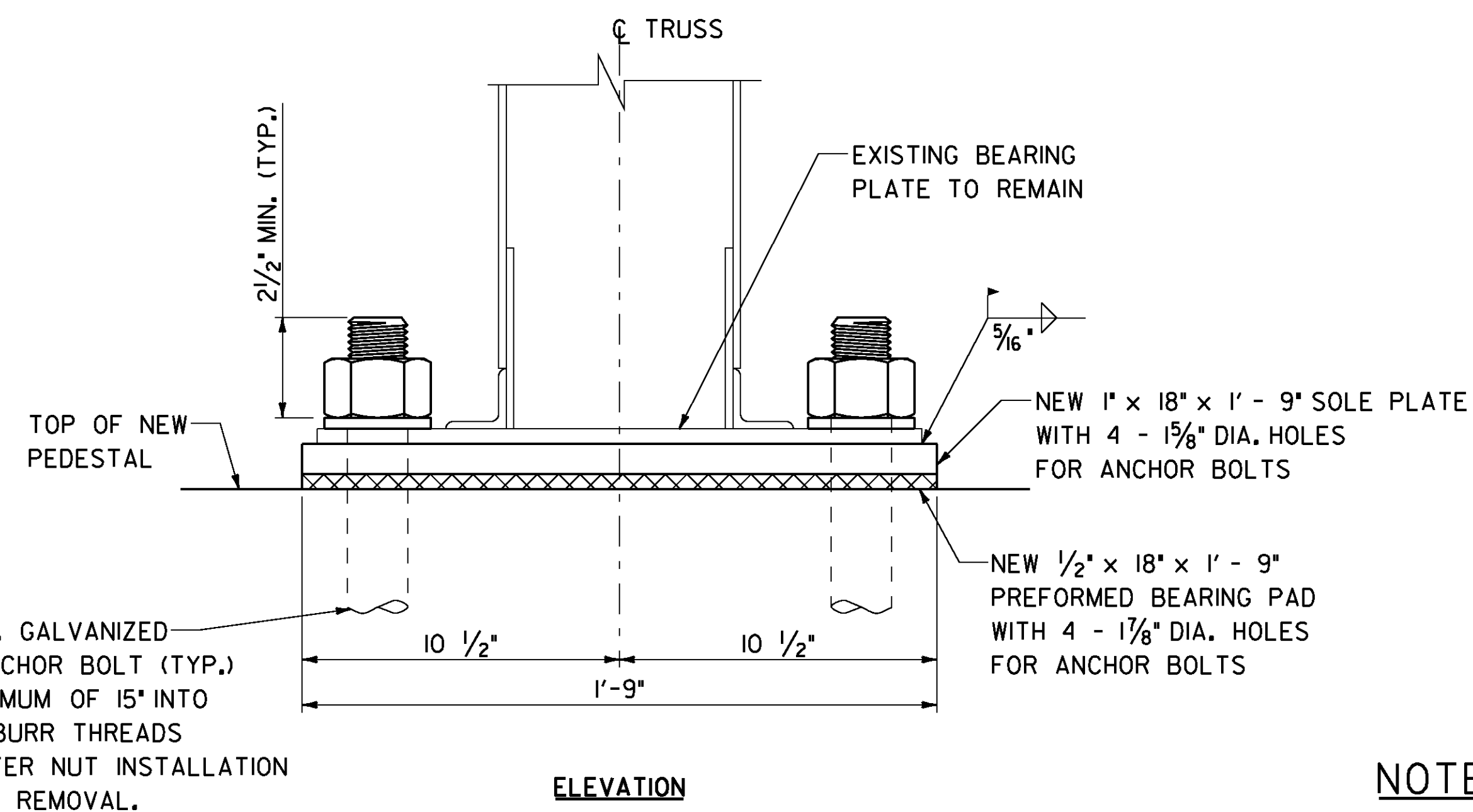
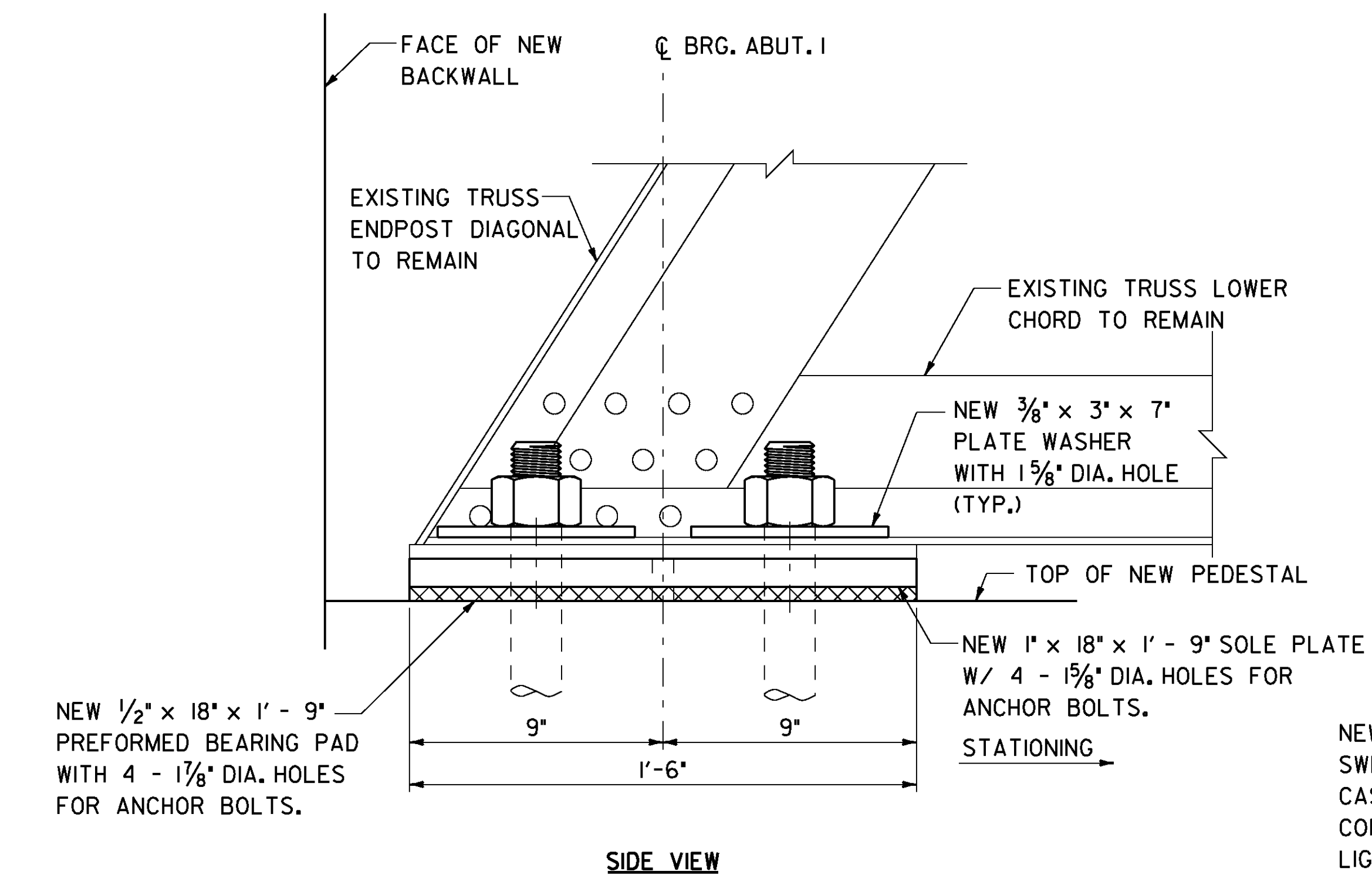


**EXPANSION BEARING**

(ABUTMENT NO. 2)  
SCALE: 3" = 1'-0"



TEMPERATURE ADJUSTMENT TABLE		
TEMPERATURE	'A' (in)	'B' (in)
-15° F	1 <sup>11</sup> / <sub>16</sub> "	1 <sup>15</sup> / <sub>16</sub> "
0° F	1 <sup>3</sup> / <sub>4</sub> "	2"
15° F	1 <sup>13</sup> / <sub>16</sub> "	2 <sup>1</sup> / <sub>16</sub> "
30° F	1 <sup>15</sup> / <sub>16</sub> "	2 <sup>3</sup> / <sub>16</sub> "
45° F	2"	2 <sup>1</sup> / <sub>4</sub> "
60° F	2 <sup>1</sup> / <sub>16</sub> "	2 <sup>5</sup> / <sub>16</sub> "
75° F	2 <sup>3</sup> / <sub>16</sub> "	2 <sup>7</sup> / <sub>16</sub> "
90° F	2 <sup>1</sup> / <sub>4</sub> "	2 <sup>1</sup> / <sub>2</sub> "
105° F	2 <sup>5</sup> / <sub>16</sub> "	2 <sup>9</sup> / <sub>16</sub> "

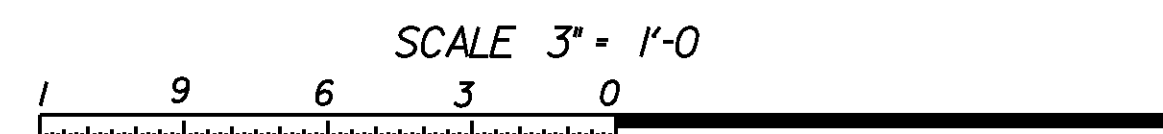
**NOTES**

1. FOR BEARING NOTES, SEE GENERAL NOTES SHEET 17.

**FIXED BEARING \***

(ABUTMENT NO. 1)  
SCALE: 3" = 1'-0"

\* PLAN VIEW OF FIXED BEARING SIMILAR TO EXPANSION BEARING EXCEPT SOLE PLATE DOES NOT HAVE SLOTTED HOLES.



SHEET NAME: BEARING DETAILS	
PROJECT NAME: TUNBRIDGE	
PROJECT NUMBER: BRO 1444 (39)	
FILE NAME: z99J110sd4.dgn	PLOT DATE: 29-APR-2009
PROJECT LEADER: K.M. Higgins	DRAWN BY: P. Dustin
DESIGNED BY: S. Della	CHECKED BY: R. Joy
	SHEET 21 OF 32