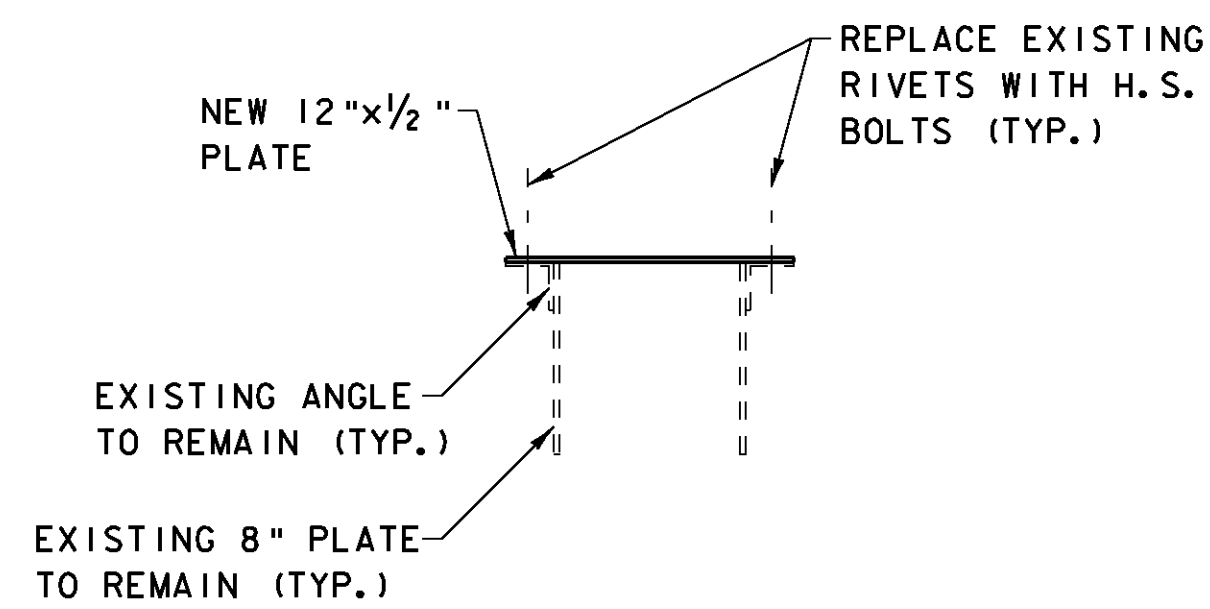


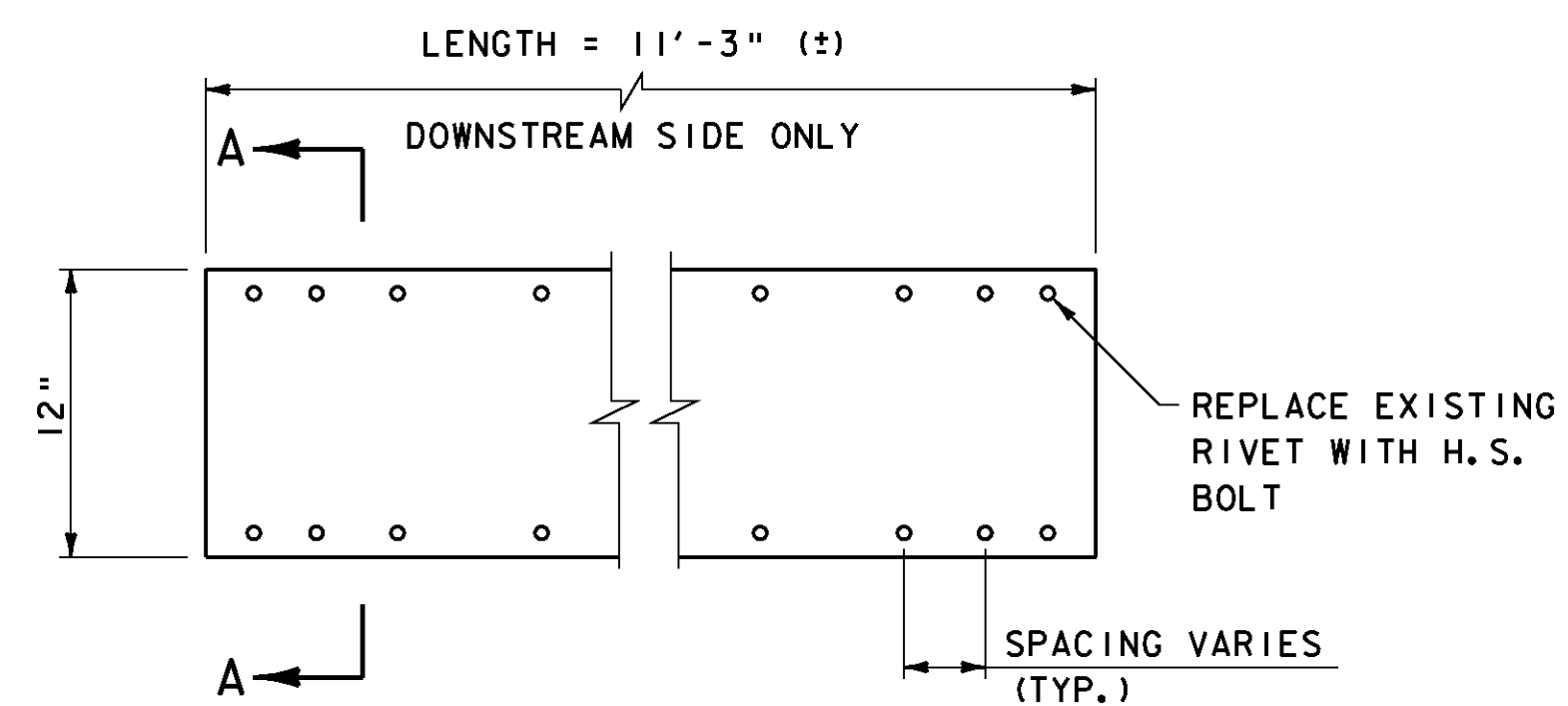
PLAN



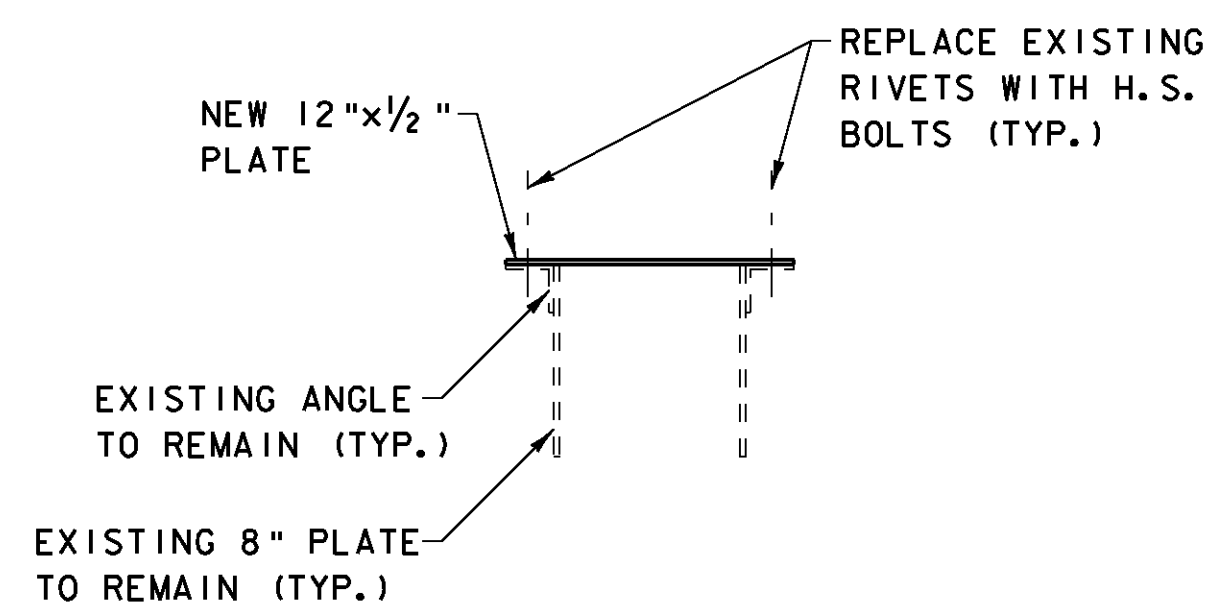
SECTION

UPPER CHORD TOP PLATE DETAIL (TP1) TOTAL = 2

SCALE: 1/2" = 1'-0"



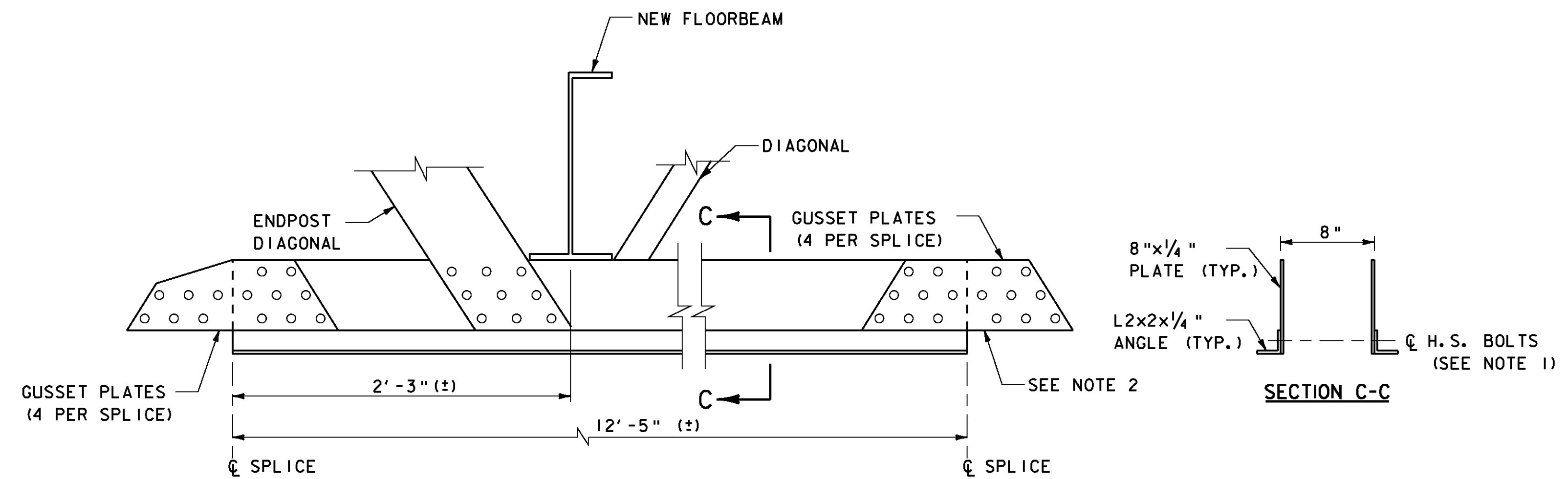
PLAN



SECTION

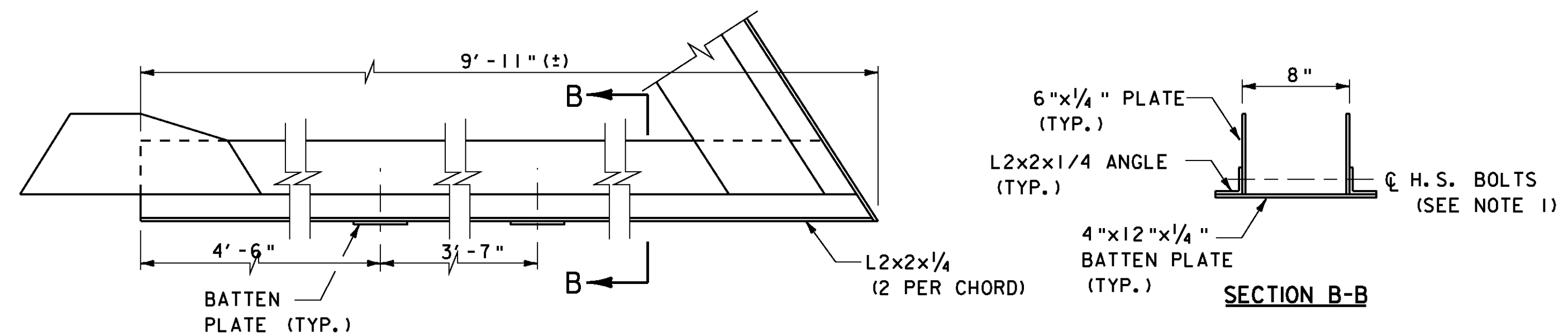
END POST DIAGONAL TOP PLATE DETAIL (TP2) TOTAL = 1

SCALE: 1/2" = 1'-0"



LOWER CHORD DETAIL (LC1)

(NORTH TRUSS ONLY)
SCALE: 1/2" = 1'-0"

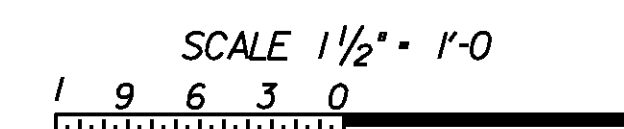


LOWER CHORD DETAIL (LC2)

(NORTH TRUSS ONLY)
SCALE: 1/2" = 1'-0"

NOTES

1. SIZE AND NUMBER OF HIGH STRENGTH BOLTS TO MATCH EXISTING PATTERNS.
2. THE 1/2" GUSSET PLATE PROPORTIONS AND NUMBER OF REQUIRED HIGH STRENGTH BOLTS SHALL MATCH EXISTING PATTERNS.



SHEET NAME: SUPERSTRUCTURE DETAILS (3)	
PROJECT NAME: TUNBRIDGE	
PROJECT NUMBER: BRO 1444 (39)	
FILE NAME: z99J10sd3.dgn	PLOT DATE: 29-APR-2009
PROJECT LEADER: K.M. Higgins	DRAWN BY: P. Dustin
DESIGNED BY: N. Powelson	CHECKED BY: R. Joy
	SHEET 20 OF 32