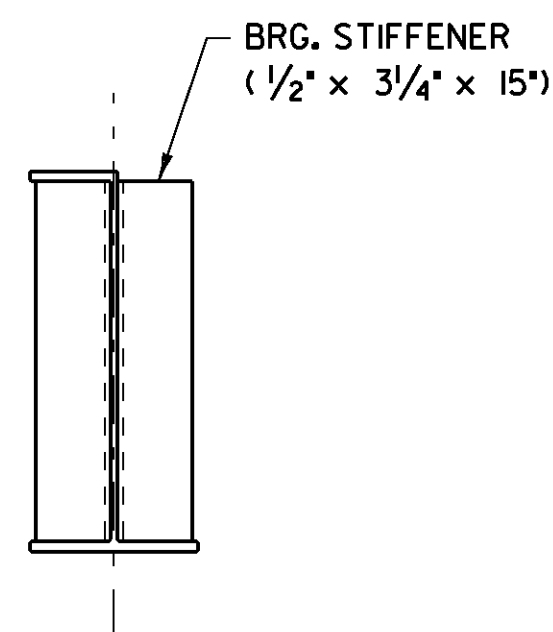


FRAMING PLAN

SCALE: 1/4" = 1'-0"

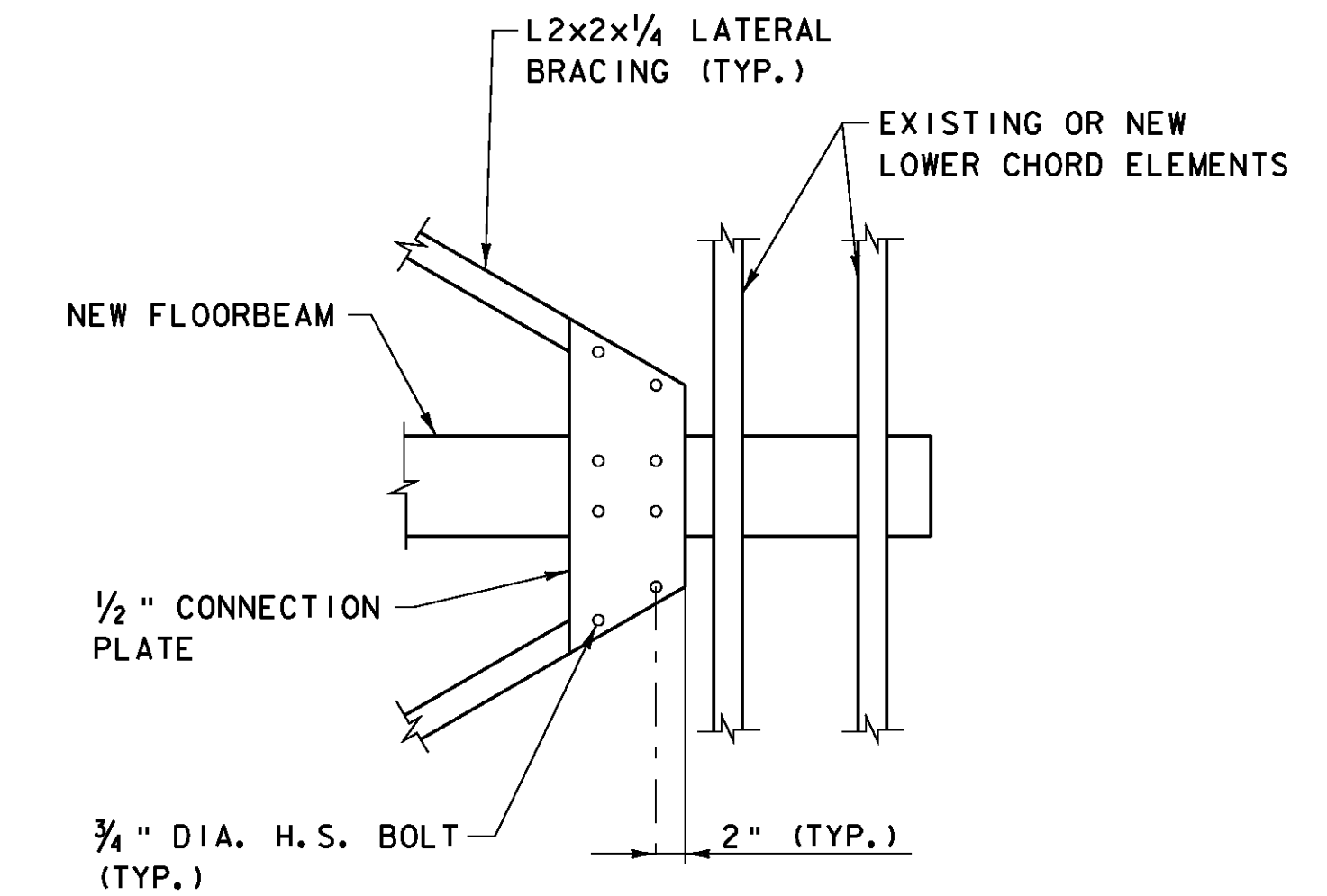


SECTION F-F

SCALE: 1/2" = 1'-0"

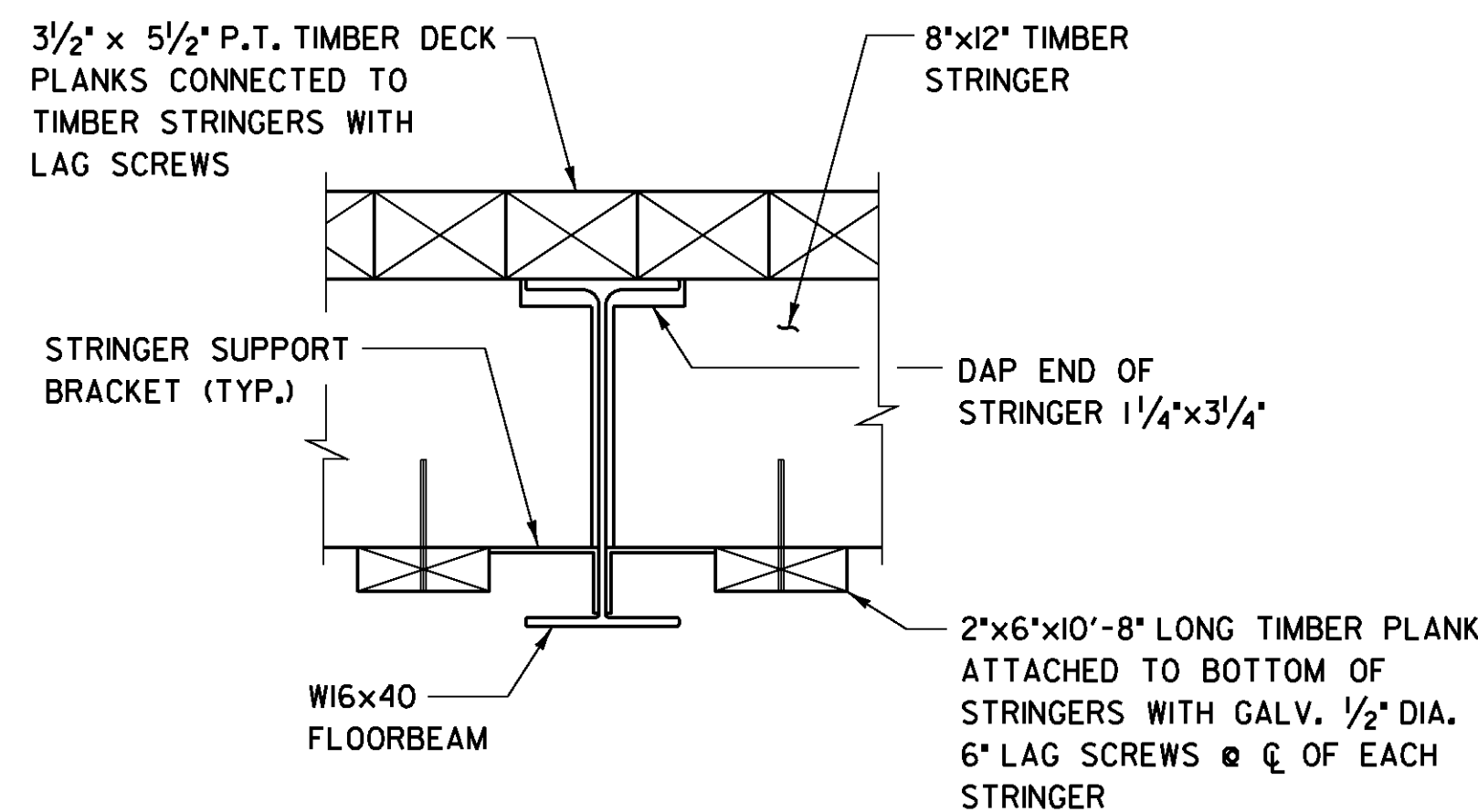
TIMBER TABLE FOR NEW MEMBERS					
TIMBER ELEMENT	SIZE (INCHES)	LENGTH (FEET)	TOTAL PIECES	QUANTITY MFBM	SPECIES AND GRADE
TOP SILL BEAM - ABUT. NO. 1	8 x 12	11.00	2	0.18	DOUGLAS FIR (NO. 1)
BOTTOM SILL BEAM - ABUT. NO. 1	8 x 12	10.33	2	0.17	DOUGLAS FIR (NO. 1)
SILL BEAM SPACER - ABUT. NO. 1	1 x 6	1.00	6	0.00	DOUGLAS FIR (NO. 1)
TOP SILL BEAM - ABUT. NO. 2	8 x 12	11.00	2	0.18	DOUGLAS FIR (NO. 1)
BOTTOM SILL BEAM - ABUT. NO. 2	8 x 12	10.33	2	0.17	DOUGLAS FIR (NO. 1)
SILL BEAM SPACER - ABUT. NO. 2	1 x 6	1.00	6	0.00	DOUGLAS FIR (NO. 1)
STRINGERS	8 x 12	12.00	24	2.30	RED MAPLE (SELECT STRUCTURAL)
STRINGERS	8 x 12	13.83	12	1.33	RED MAPLE (SELECT STRUCTURAL)
DECK (S4S)	3.5 x 5.5	12.00	156	3.00	WHITE OAK (NO. 1)
STRINGER ATTACHMENT PLANKS	2 x 6	10.67	10	0.11	DOUGLAS FIR (NO. 1)
END CURBING	5 x 10	4.00	8	0.13	DOUGLAS FIR (NO. 1)

1. LUMBER DIMENSIONS: THE SIZE OF LUMBER AND TIMBER MEMBERS SHOWN IN THIS TABLE ARE THE ACTUAL FULL DIMENSIONS AFTER SEASONING, UNLESS NOTED OTHERWISE. CROSS SECTIONAL DIMENSION VARIATIONS UP TO ONE-EIGHTH INCH WILL BE ALLOWED. ALL TIMBER SHALL BE FULL SAWN.
2. LUMBER FINISH: ALL NEW LUMBER AND TIMBER SHALL BE ROUGH SURFACED, UNLESS DESIGNATED WITH A SURFACE (S4S) MARK.
3. ALL TIMBER PAID FOR UNDER ITEM 522.25.
4. ALL TIMBER DIMENSIONS TO BE VERIFIED BY THE CONTRACTOR PRIOR TO FABRICATION.



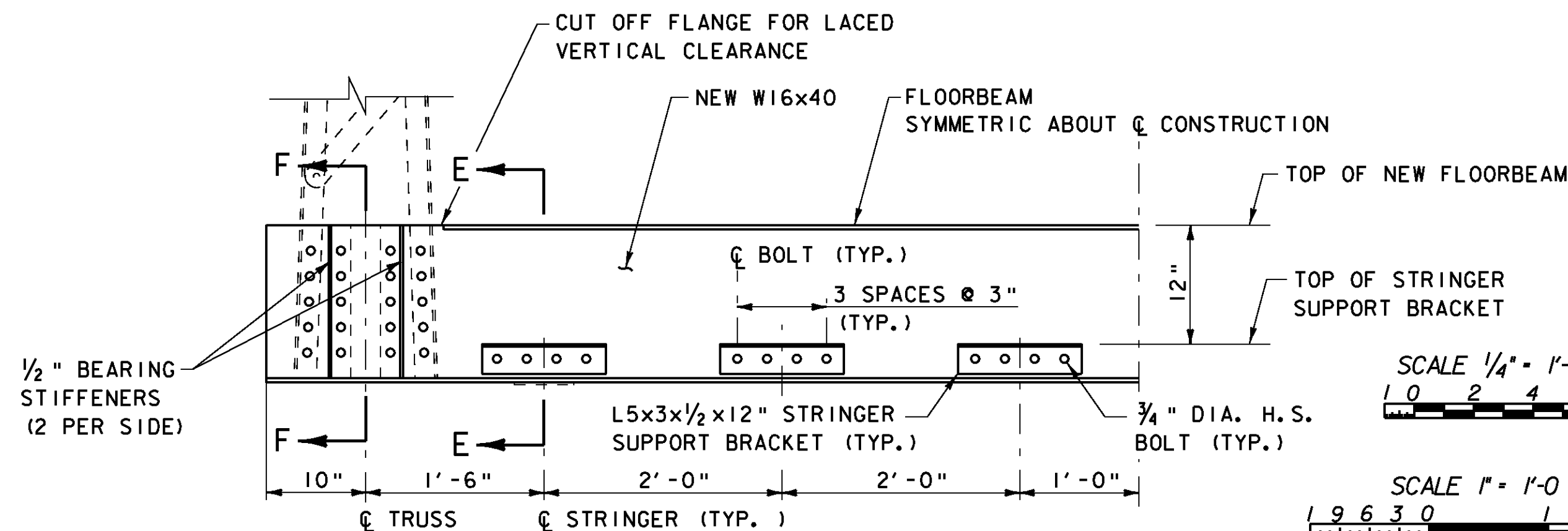
LATERAL BRACING PLAN

(VIEWED FROM BELOW)  
SCALE: 1" = 1'-0"



SECTION E-E

SCALE: 1/2" = 1'-0"



FLOORBEAM DETAILS

SCALE: 1" = 1'-0"

SCALE 1/4" = 1'-0"  
1 0 2 4 6

SCALE 1" = 1'-0"  
1 9 6 3 0 1

SCALE 1 1/2" = 1'-0"  
1 9 6 3 0 1

NOTES

1. SEE NOTES ON SHEET 17.

SHEET NAME: SUPERSTRUCTURE DETAILS (2)	
PROJECT NAME: TUNBRIDGE	
PROJECT NUMBER: BRO 1444 (39)	
FILE NAME: z99J10sd2.dgn	PLOT DATE: 26-MAY-2009
PROJECT LEADER: K.M. Higgins	DRAWN BY: P. Dustin
DESIGNED BY: N. Powelson	CHECKED BY: R. Joy
	SHEET 19 OF 32