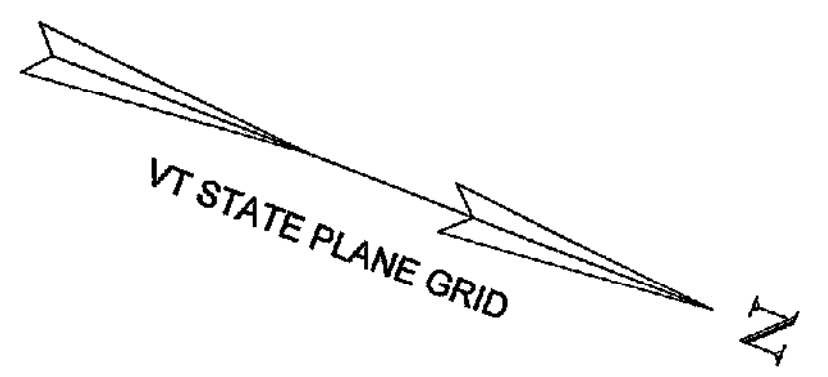


CONSTRUCTION NOTES:

DURABLE 4" WHITE LINE
 STA. 28+00 - 32+75, LT. & RT.
 STA. 32+00 - 32+70, LT.
DURABLE 4" YELLOW LINE (DOUBLE CENTERLINE)
 STA. 28+00 - 29+35
 STA. 32+00 - 32+75
DURABLE LETTER OR SYMBOL
 STA. 32+05, LT. = &
 STA. 32+15, LT. = "ONLY"

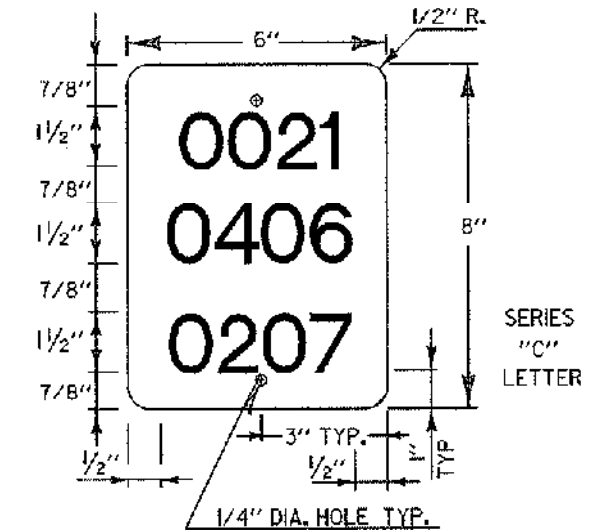
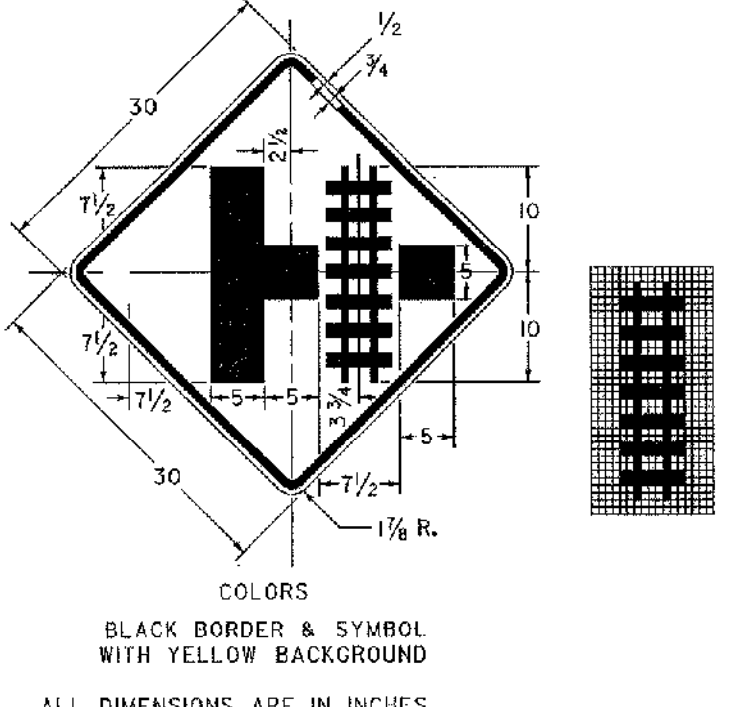
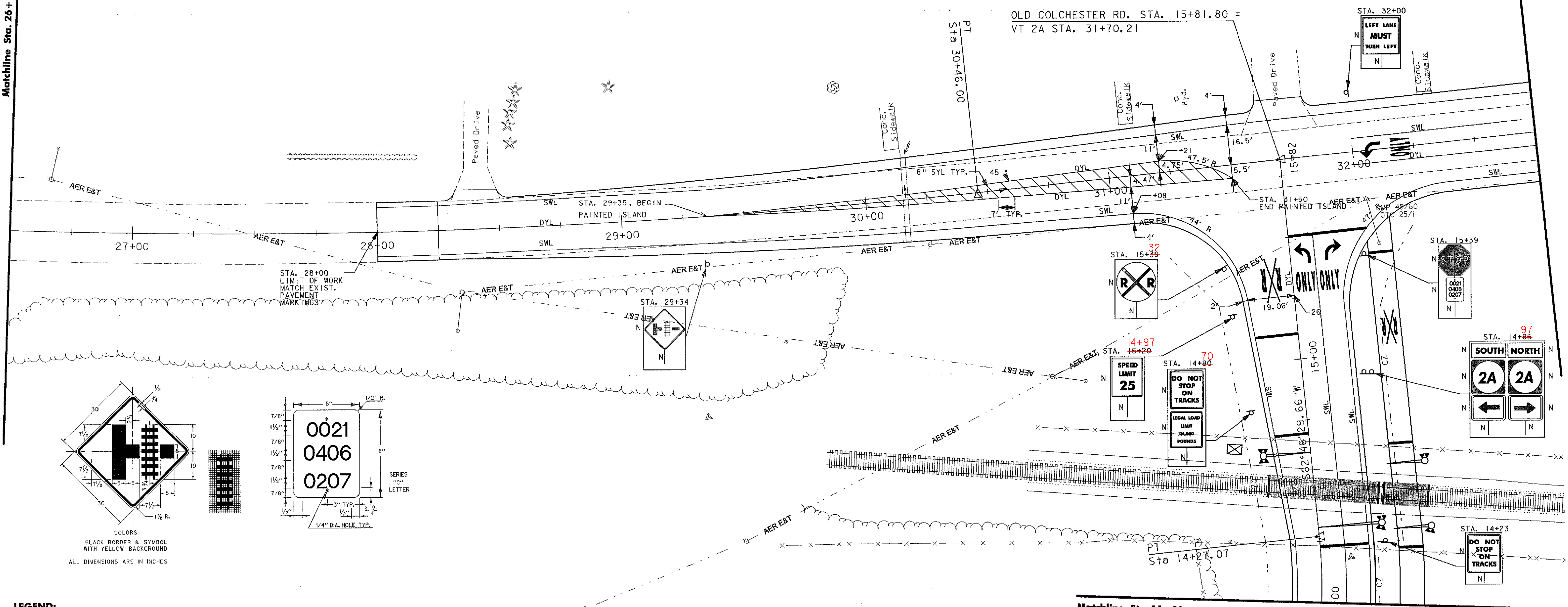
PAINTED ISLAND
 STA. 29+35 - 31+50
PAINTED DURABLE 24" STOP BAR
 STA. 15+50, RT.
R.R. CROSSING SYMBOL
 STA. 15+10, RT.
 STA. 15+35, LT.

REMOVING SIGNS
 0 EA.
4" WHITE LINE
 STA. 14+00 - 14+38, LT. & RT.
 STA. 14+00 - 14+38, RT. (TURN LANE)
 STA. 14+55 - 15+50, LT. & RT.
 STA. 14+55 - 15+50, RT. (TURN LANE)
4" YELLOW LINE (DOUBLE CENTERLINE)
 STA. 14+00 - 14+38
 STA. 14+55 - 15+50
DURABLE LETTER OR SYMBOL
 STA. 15+45, RT. = &
 STA. 15+35, RT. = "ONLY" (2)



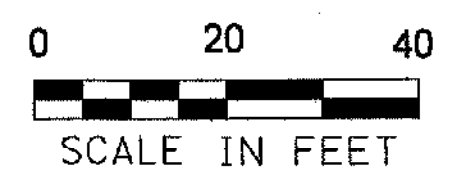
Matchline Sta. 26+50

Matchline Sta. 32+75



LEGEND:
 R&S - REMOVE AND SALVAGE
 SWL - SINGLE SOLID WHITE LINE (4")
 DYL - DOUBLE SOLID YELLOW LINE (4")
 N - NEW

GENERAL NOTES:
 1) ALL SIGNS TO BE SALVAGED TO THE TOWN OF ESSEX



VT. 2A

VHB Vanasse Hangen Brustlin, Inc.

PAVEMENT MARKING & SIGNING PLAN

| | |
|---|------------------------------|
| PROJECT: ESSEX | PROJECT NO.: STP2035(14)S |
| DESIGN FILE NAME: NH-BED\PROJECTS\CAD\TEXT\51070BDRPM-2.DGN | PLOT DATE: 07/24/2002 |
| IPARM FILE NAME: | SURVEY DATE: 18Sep199 |
| SURVEYED BY: | DRAWN BY: RBN |
| SQUAD LEADER: GLB | SHEET: 29 OF 50 |

| | |
|------------|-------------|
| DATUM | |
| VERTICAL | NAVD 88 |
| HORIZONTAL | NAD 83 (96) |