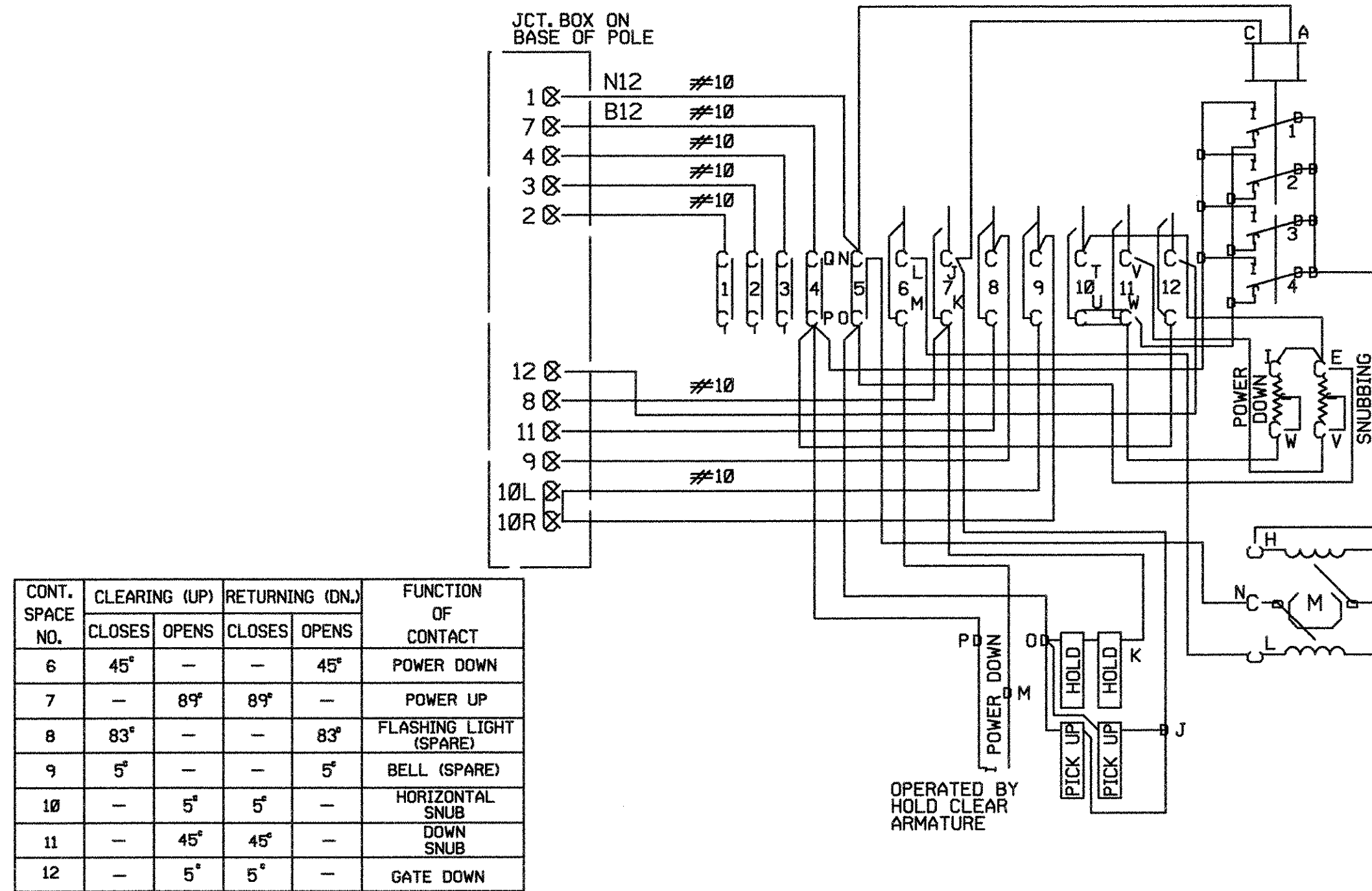
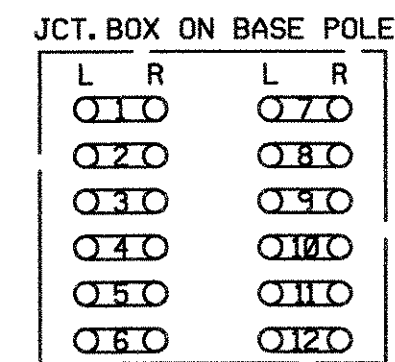


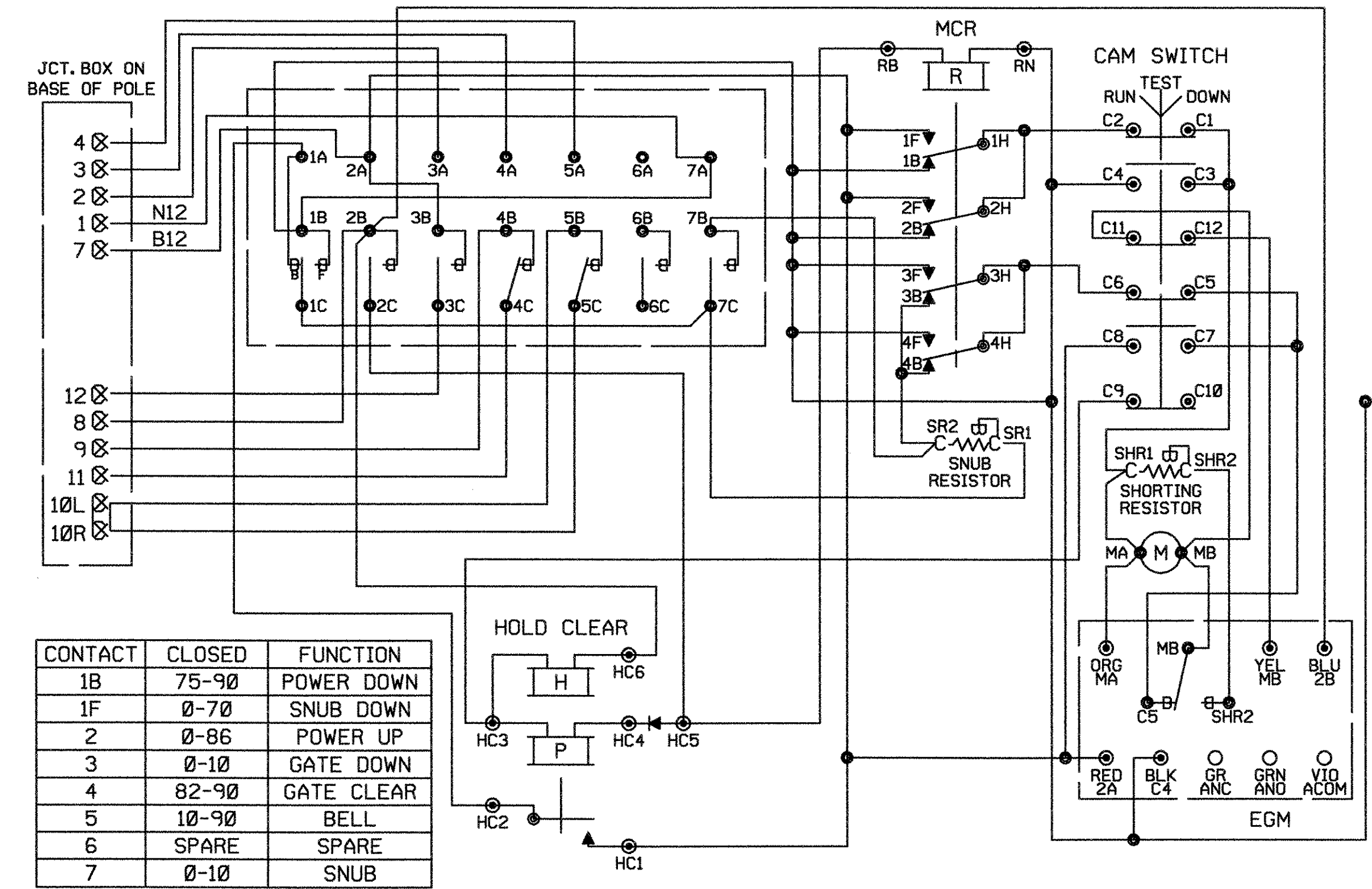
SAFETRAN PRODUCTS MODEL 'S' MECHANISM MOTOR & SNUB RELAY



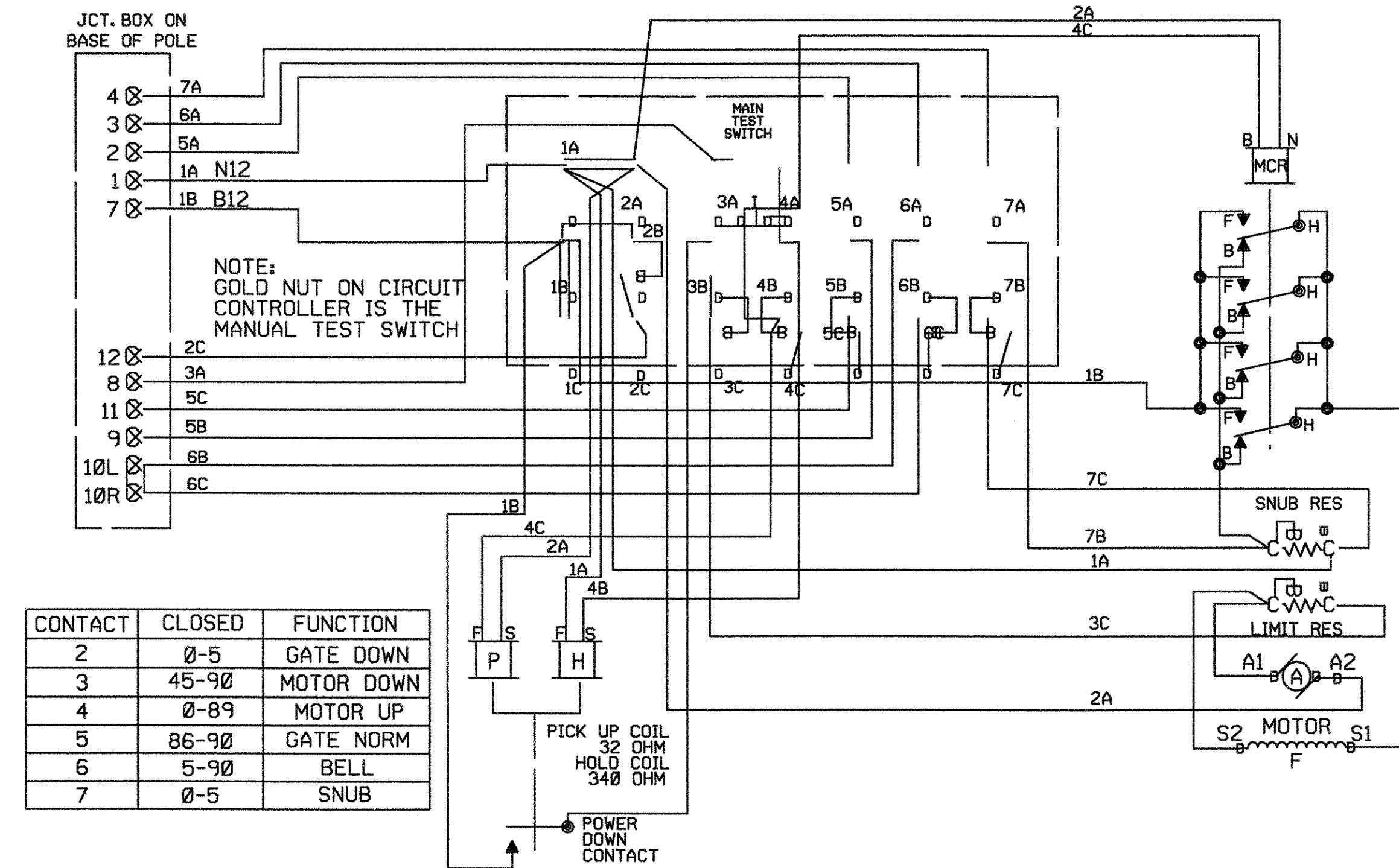
SHOW TYPE MECH. INSTALLED
ALL MECHANISMS SHOWN IN THE CLEAR POSITION



WCH 3597



WCH 3593-E



CROSSING GATE MECHANISM DIAGRAM

DOT* 247-536R

PROJECT NAME: SHARON GRADE CROSSING

PROJECT NUMBER: STP2034 (13)S

FILE NAME: SHT32.DGN

PROJECT LEADER: H. PATEL

DESIGNED BY: R. CARROLL

PLOT DATE: 06/13/03

DRAWN BY: A. BOSE

CHECKED BY: G. SERGOT

SHEET 31 OF 35

ORIGINAL PREPARED:		
DATE	REVISIONS	BY

NOT TO SCALE

DATUM

VERTICAL	NAVD88 ± 0.5 FT.
HORIZONTAL	SPC 1983