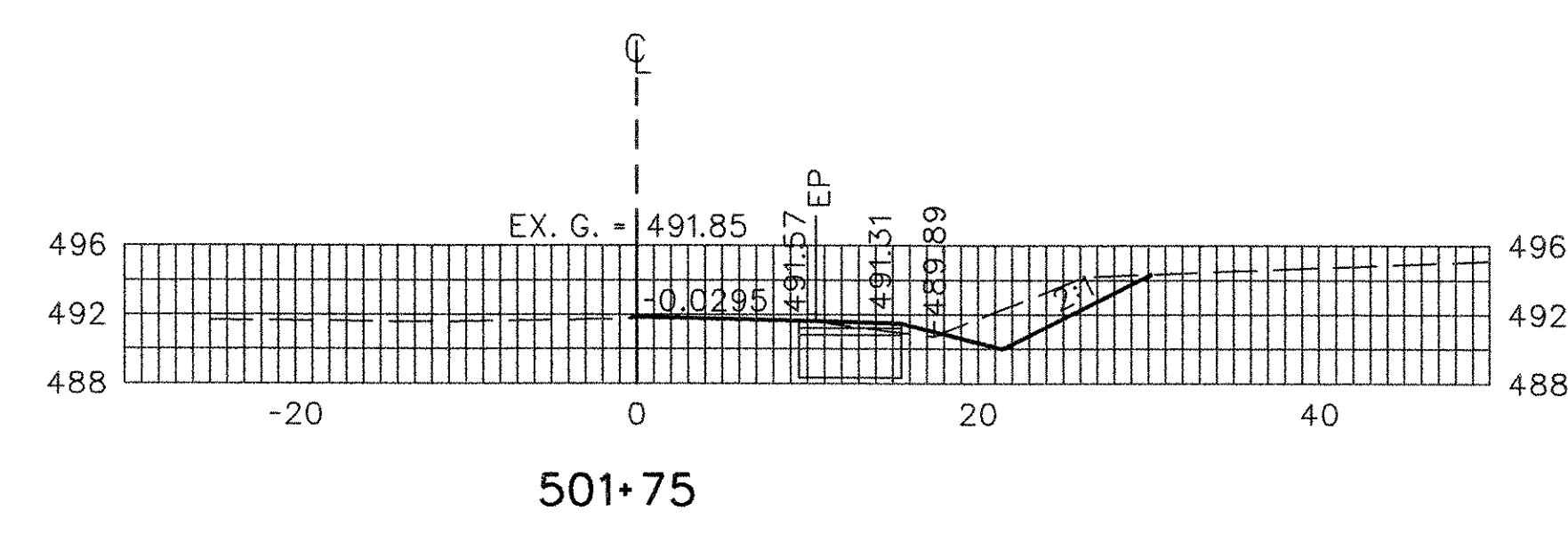
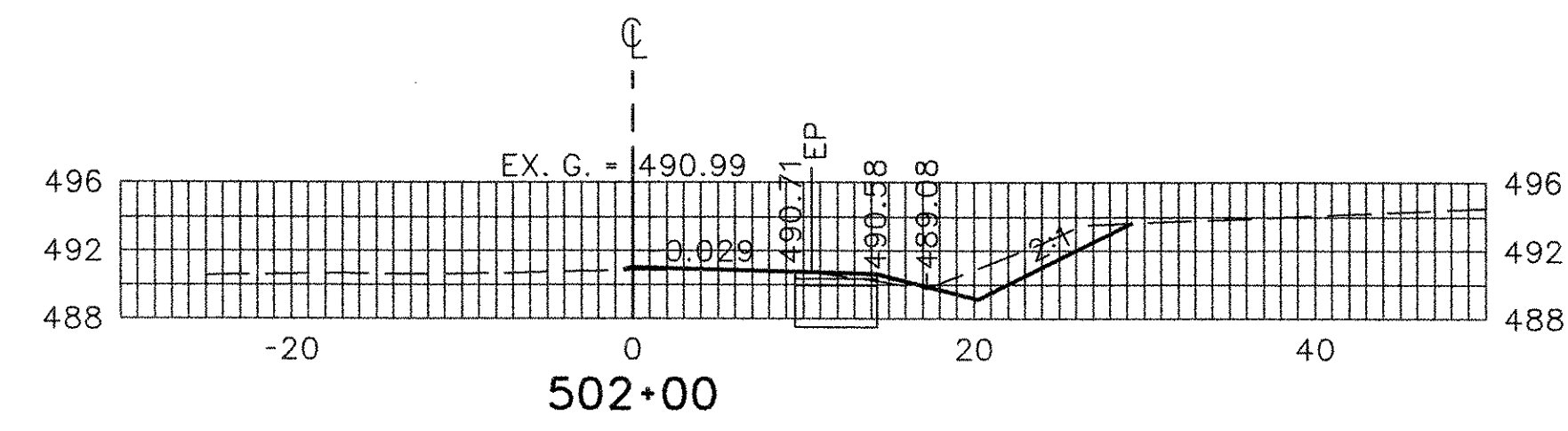
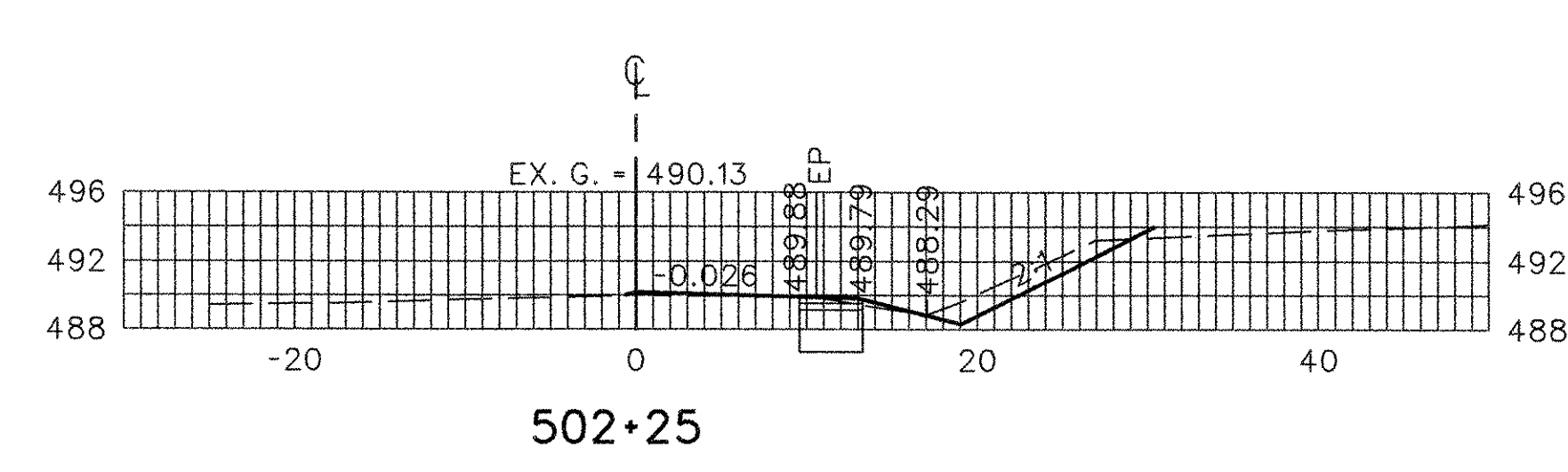
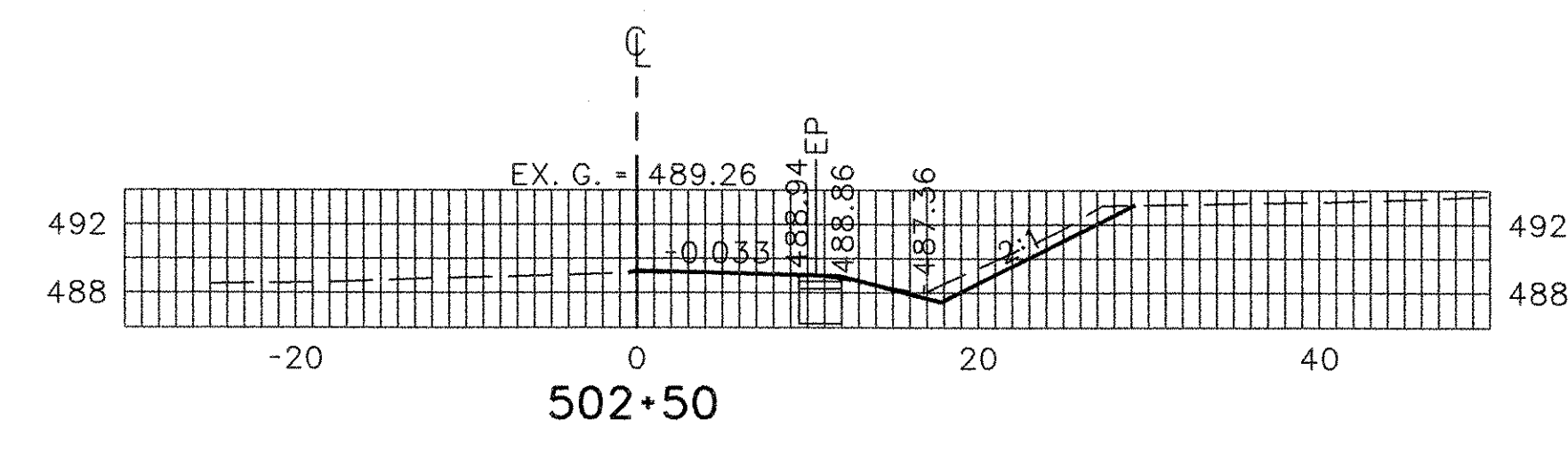
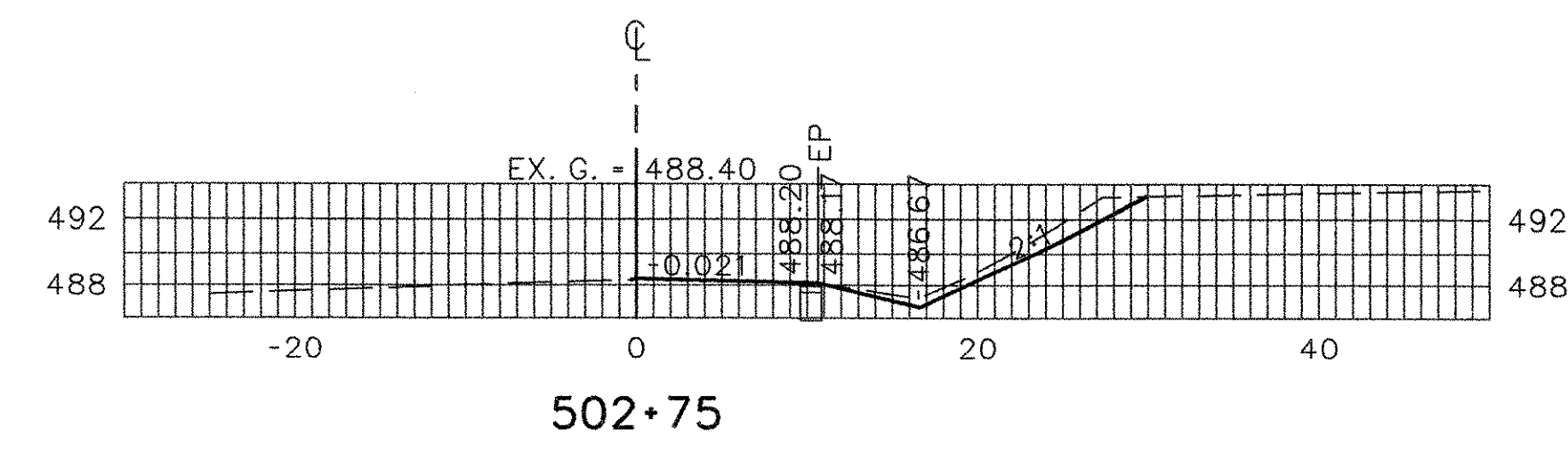
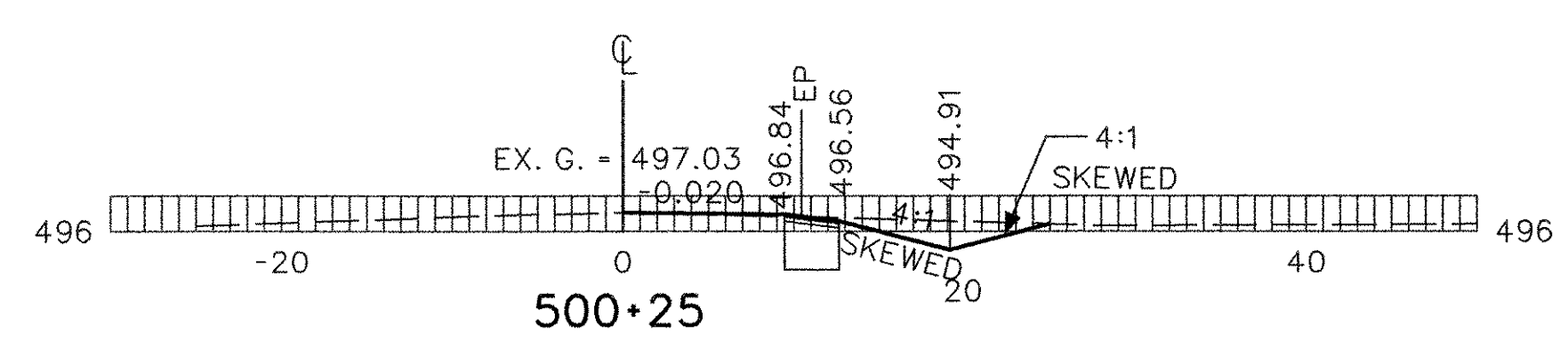
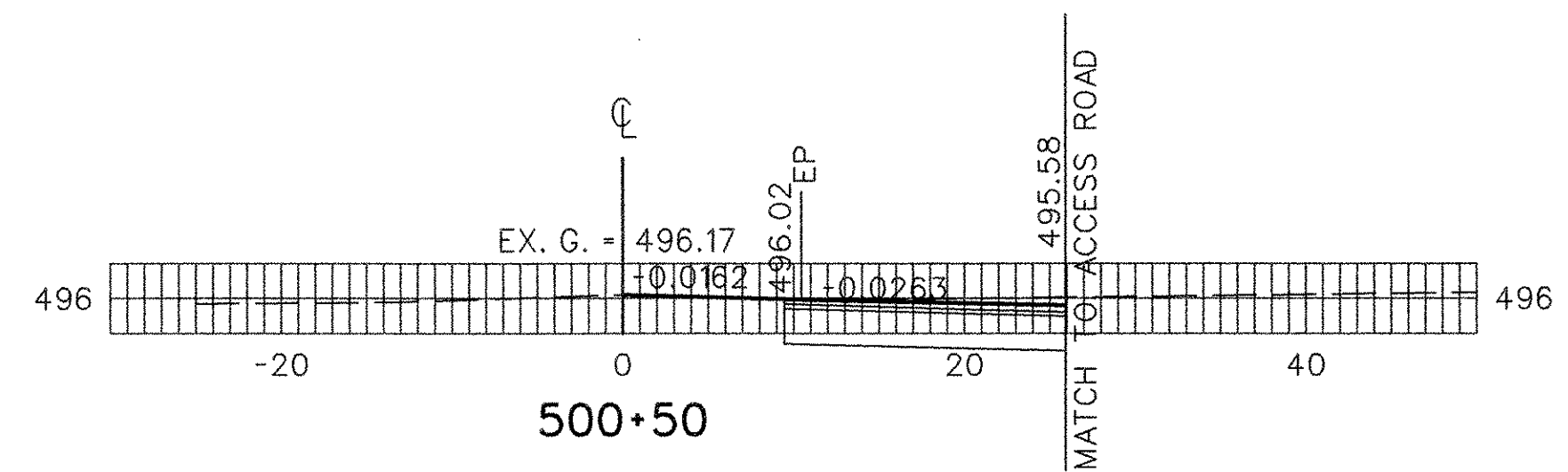
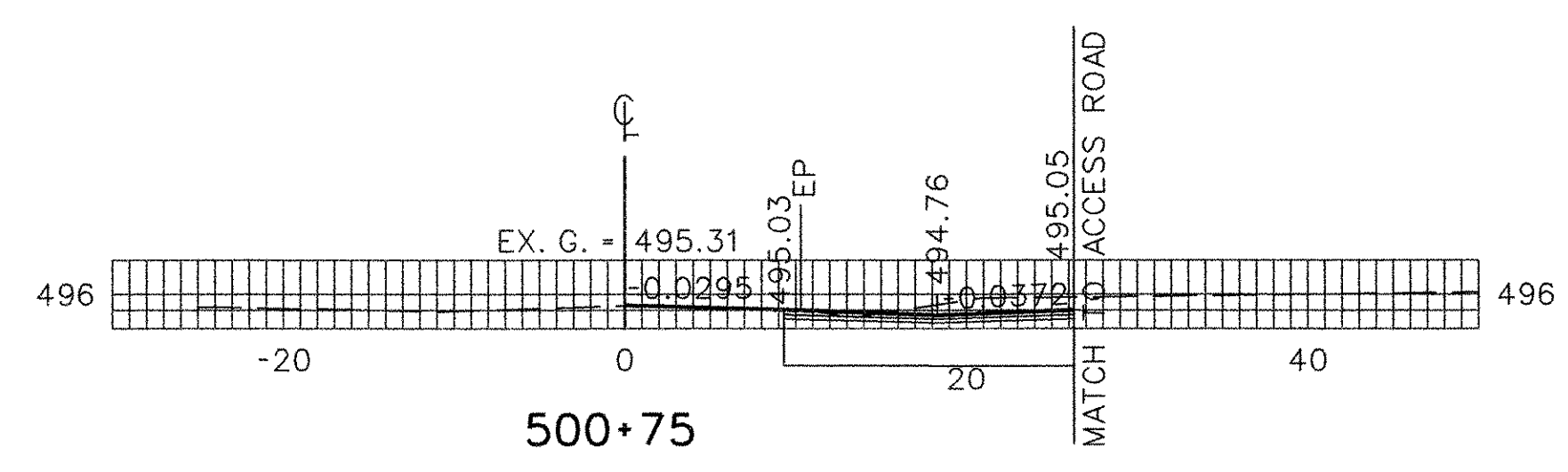
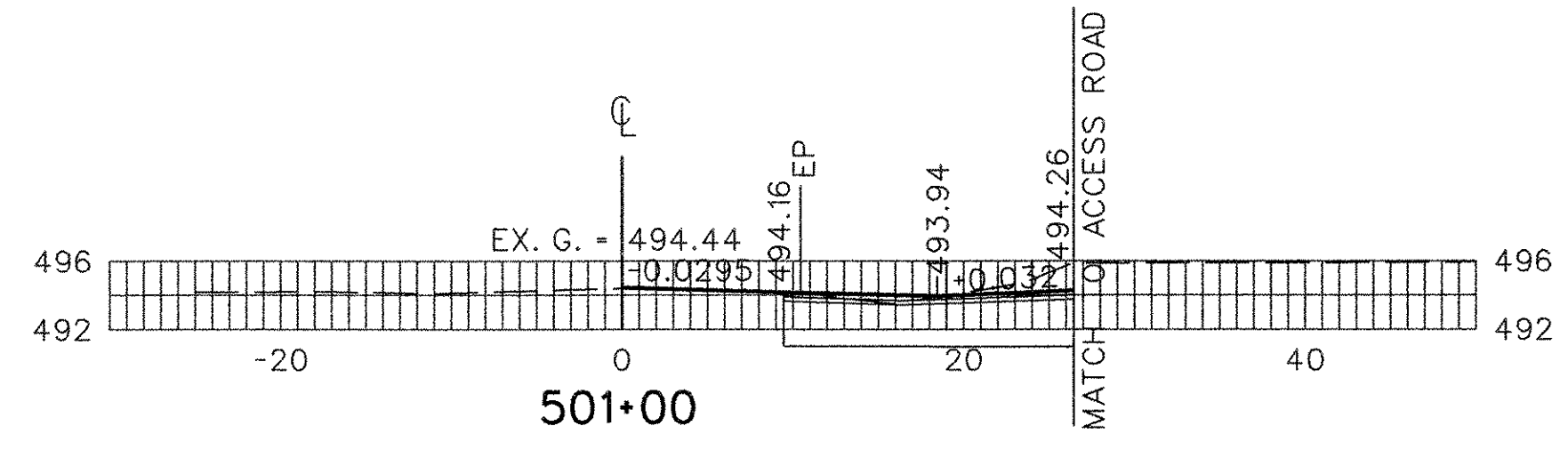
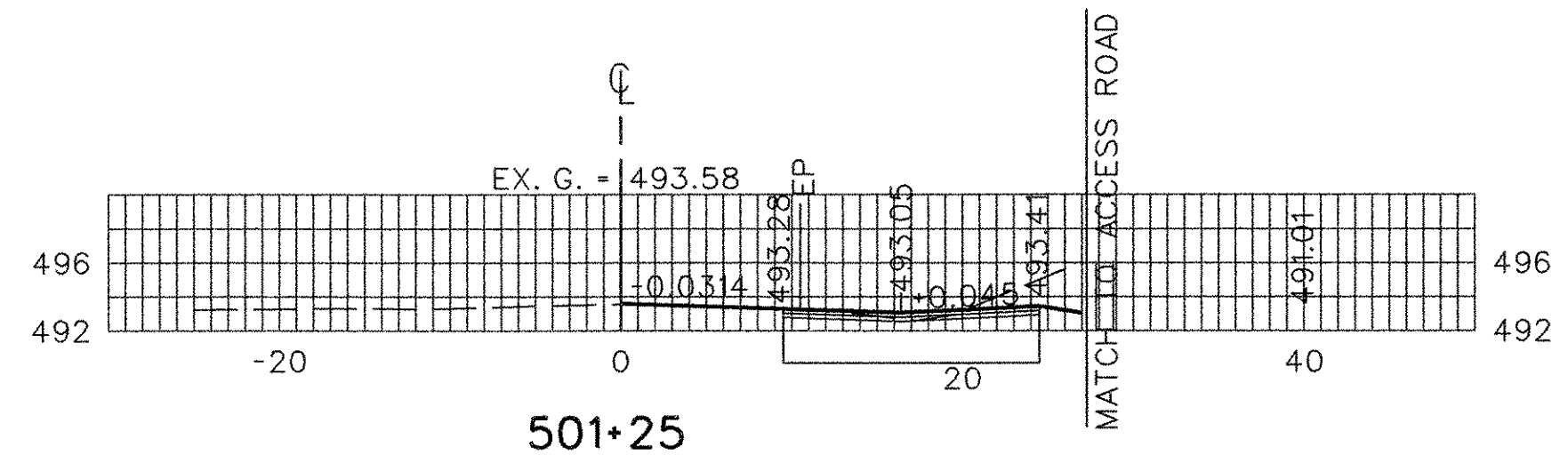
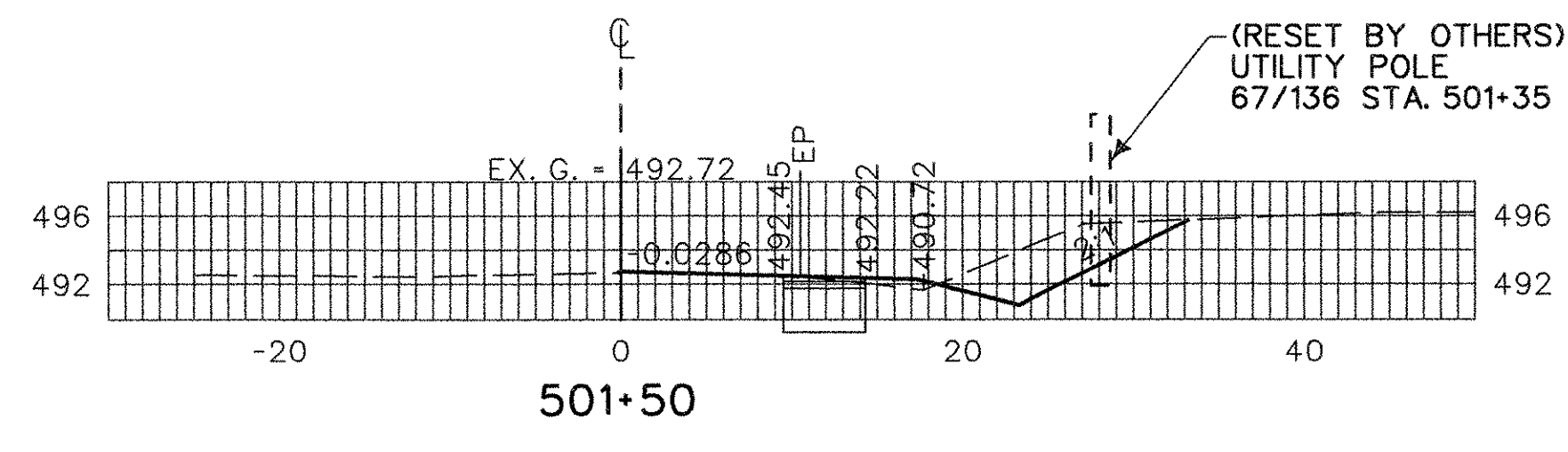
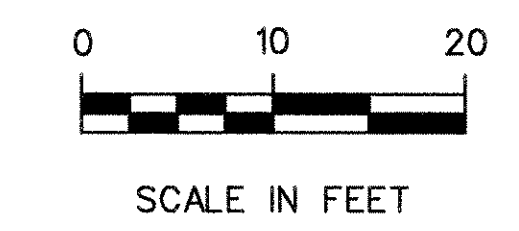


06/13/03  
 M:\18737s\_vl\_rdl\sharon\_crossing.dgn\sh24.dgn



**DATUM**  
 VERTICAL NAVD88 ± 0.5 FT.  
 HORIZONTAL SPC 1983

ORIGINAL PREPARED:		
DATE	REVISIONS	BY



**CROSS SECTIONS - RIVER ROAD (TH3)**  
 PROJECT NAME: SHARON GRADE CROSSING  
 PROJECT NUMBER: STP2034 (13)S  
 FILE NAME: SHT25.DGN  
 PROJECT LEADER: R. O'BLENIS  
 DESIGNED BY: C. GLOVER  
 PLOT DATE: 06/13/03  
 DRAWN BY: J. DEROSIER  
 CHECKED BY: R. ORO  
 SHEET 24 OF 35