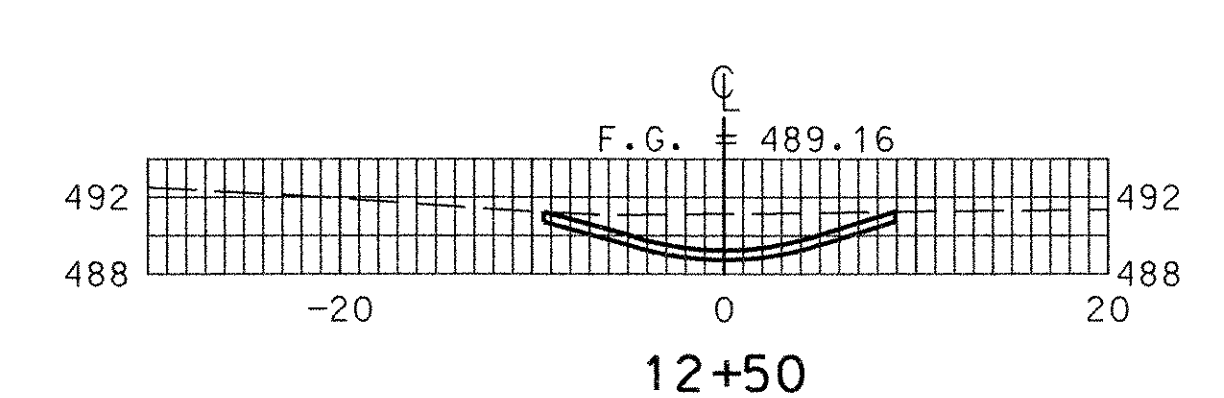
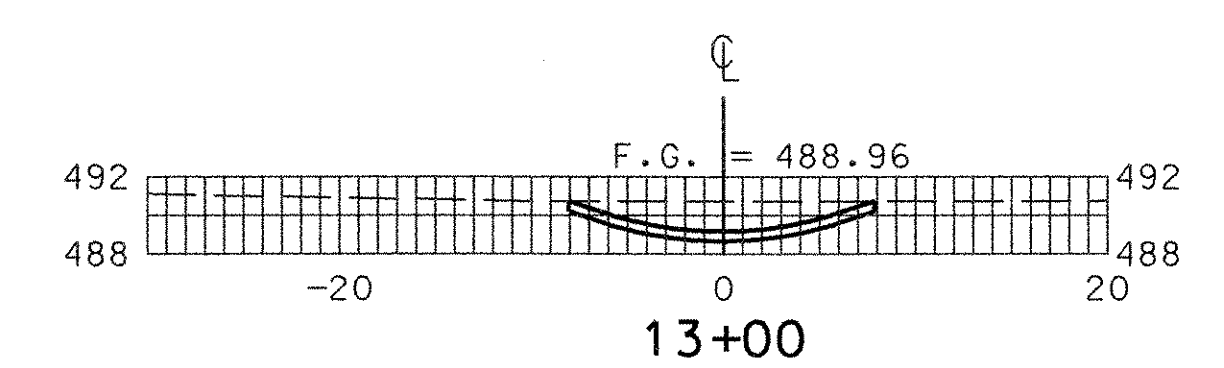
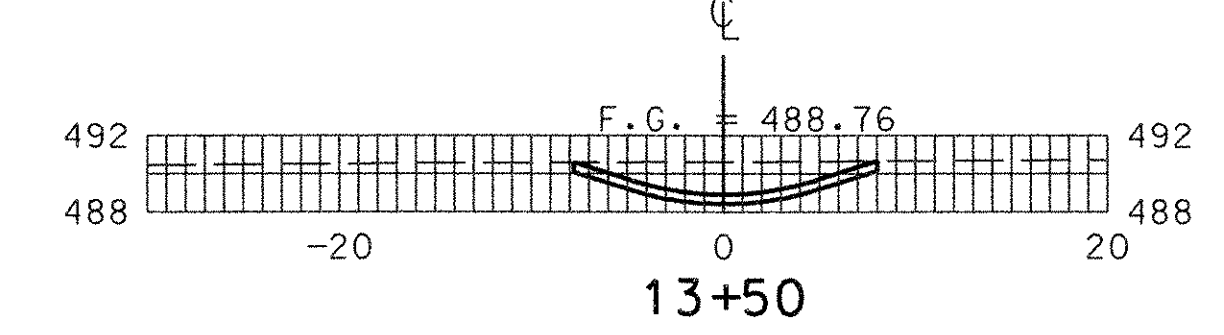
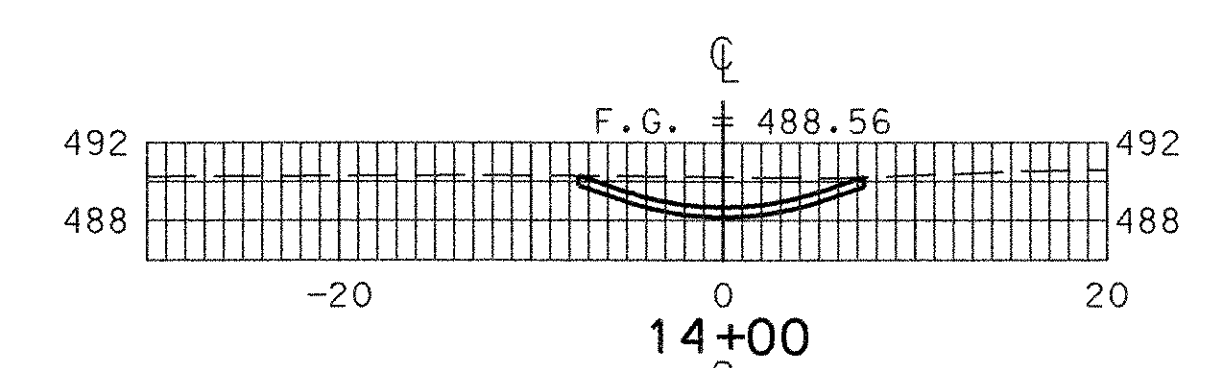
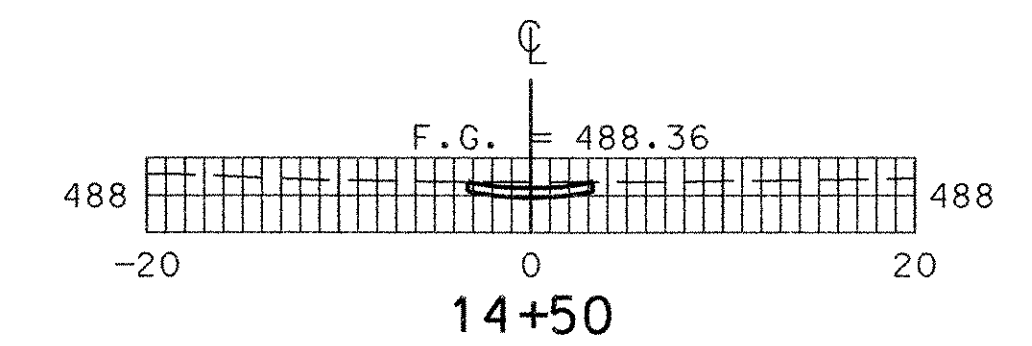
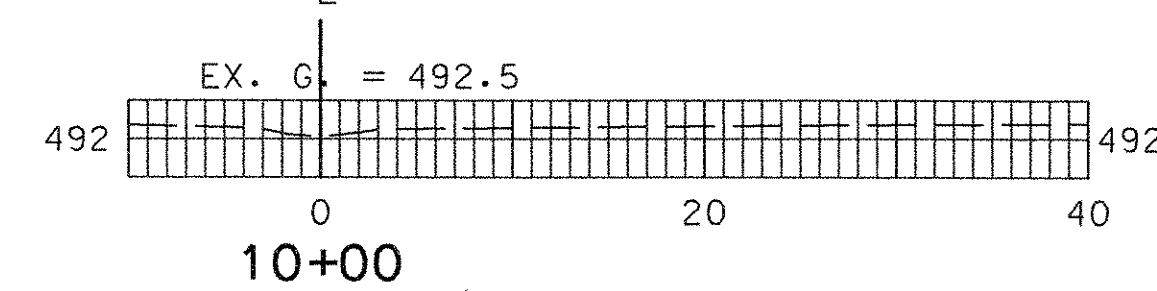
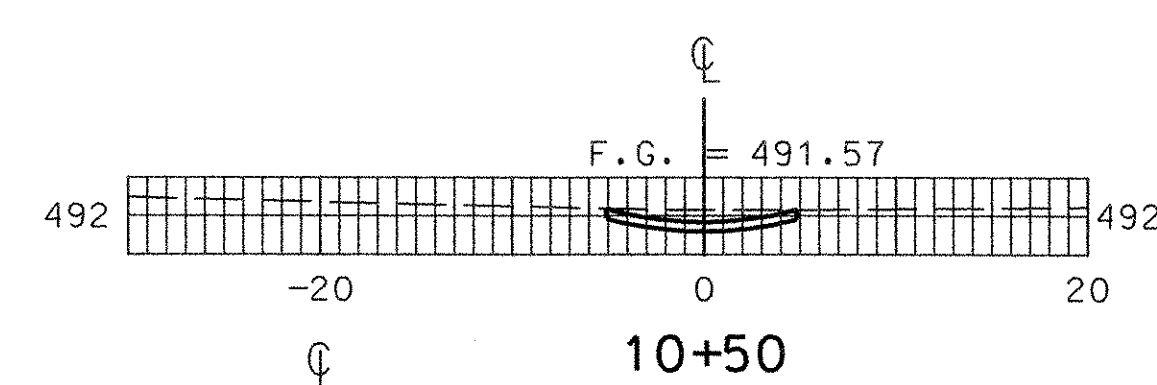
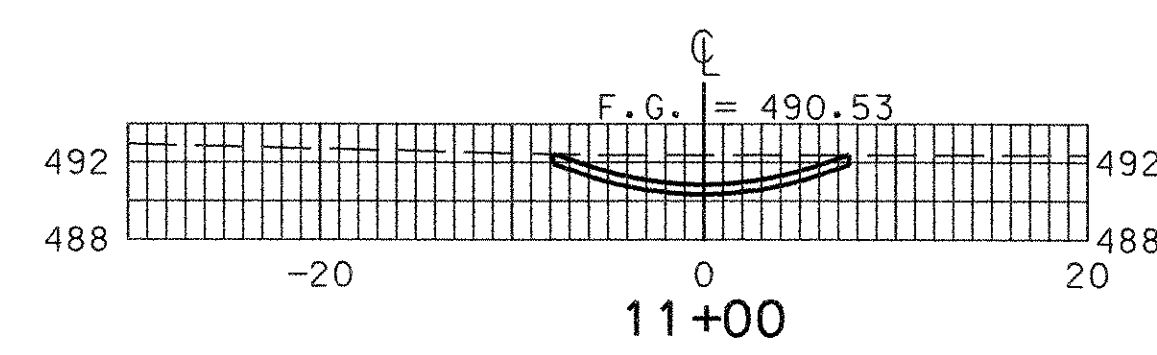
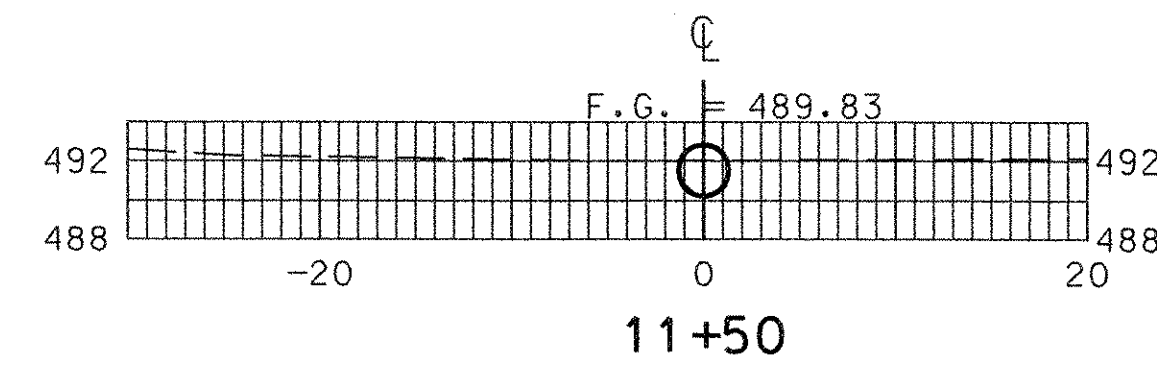
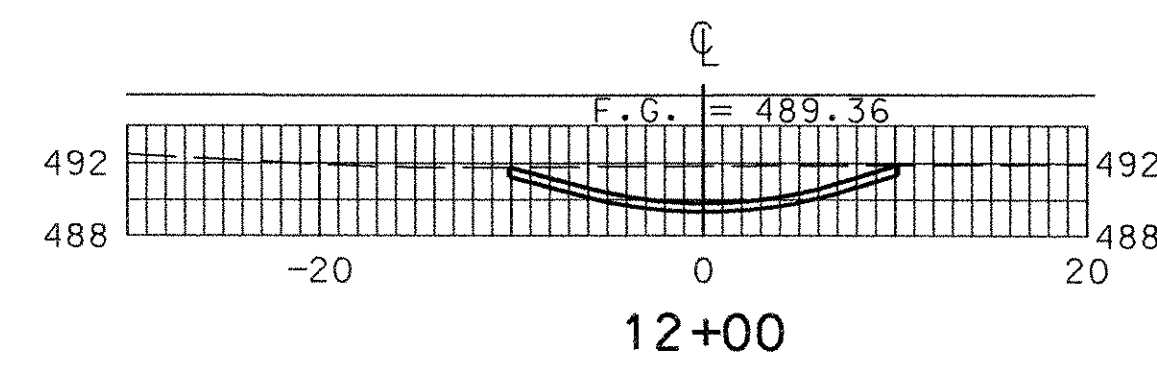
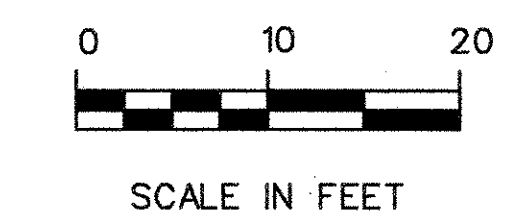


**COMMERCE PARK**



**GRASS LINED SWALE**



**CROSS SECTIONS  
COMMERCE PARK / GRASS LINED SWALE  
SHEET 1 OF 2**

PROJECT NAME:	<b>SHARON GRADE CROSSING</b>	
PROJECT NUMBER:	STP2034 (13)S	
FILE NAME:	SHT22.DGN	PLOT DATE: 06/13/03
PROJECT LEADER:	R. O'BLENIS	DRAWN BY: J. DEROSIER
DESIGNED BY:	C. GLOVER	CHECKED BY: R. ORO
		SHEET 22 OF 35

ORIGINAL PREPARED:		
DATE	REVISIONS	BY

DATUM	
VERTICAL	NAVD88 ± 0.5 FT.
HORIZONTAL	SPC 1983

06/13/03  
 M:\18737s\_v1.rail\sharon\_crossing.dgn\SH122.dgn