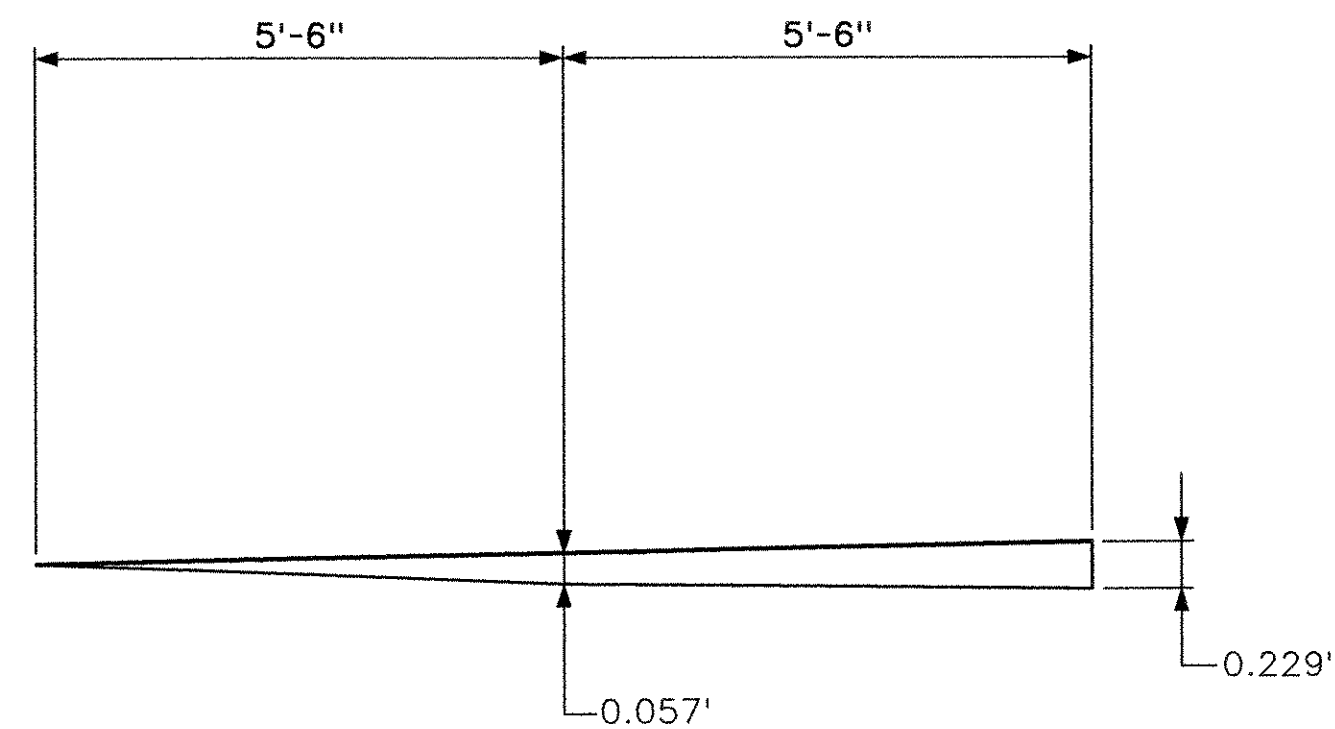
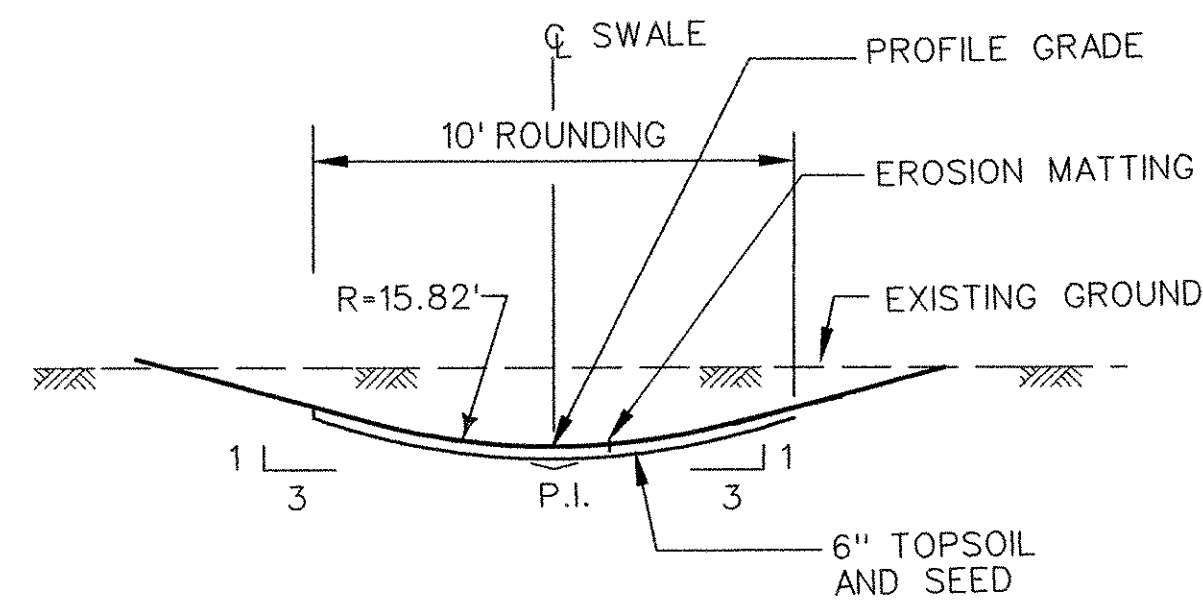


TYPICAL SECTIONS

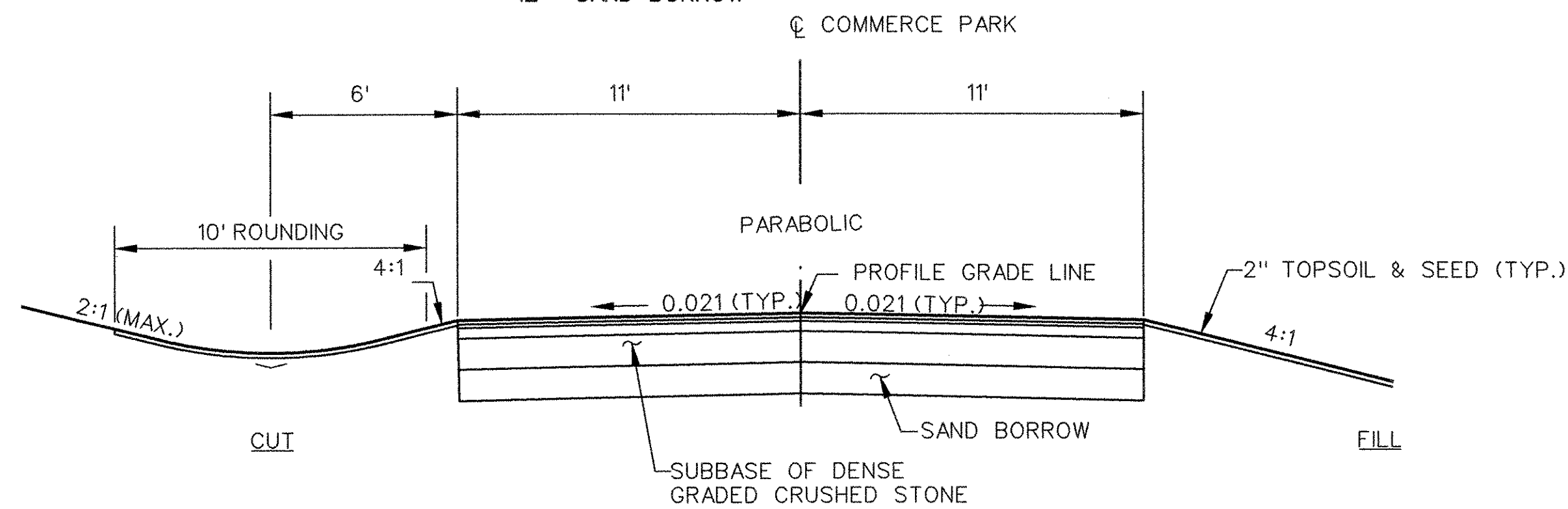
- 1/2" BITUMINOUS CONCRETE PAVEMENT SURFACE COURSE (TYPE III)
- 2" BITUMINOUS CONCRETE PAVEMENT BINDER COURSE (TYPE II)
- 4" BITUMINOUS CONCRETE PAVEMENT BASE COURSE (TYPE I)
- 12" SUBBASE OF DENSE GRADED CRUSHED STONE
- 12" SAND BORROW



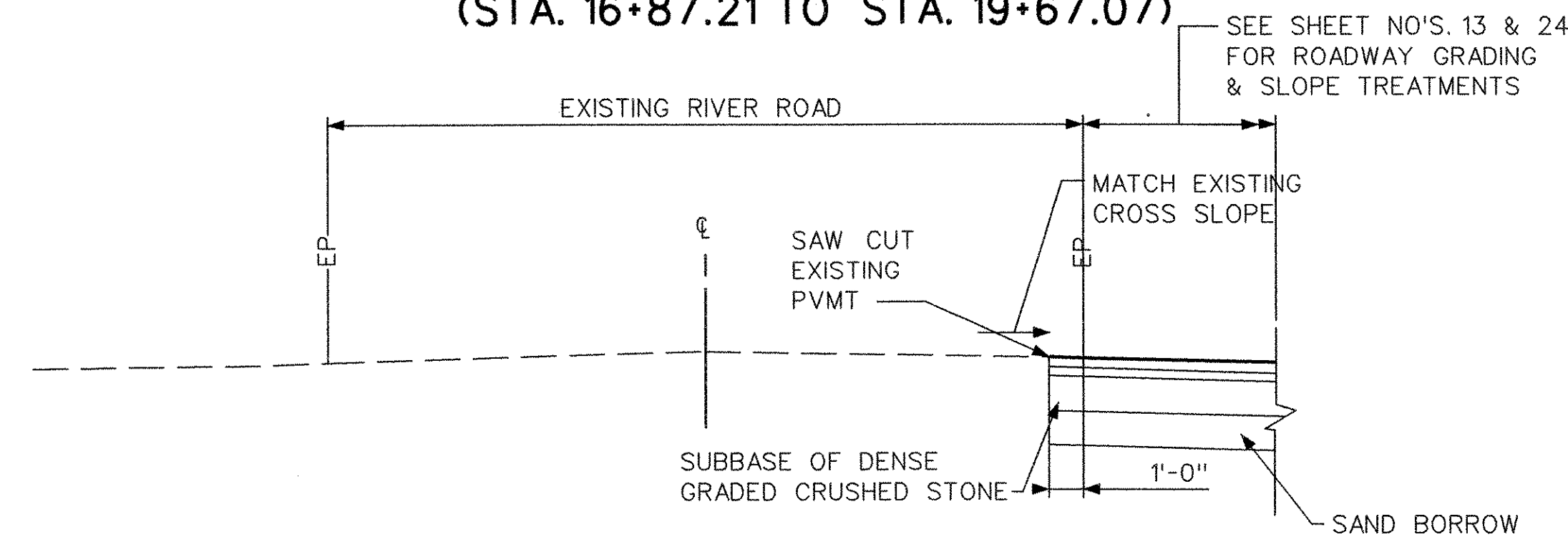
PARABOLIC DETAIL
NOT TO SCALE



TYPICAL GRASS LINED SWALE

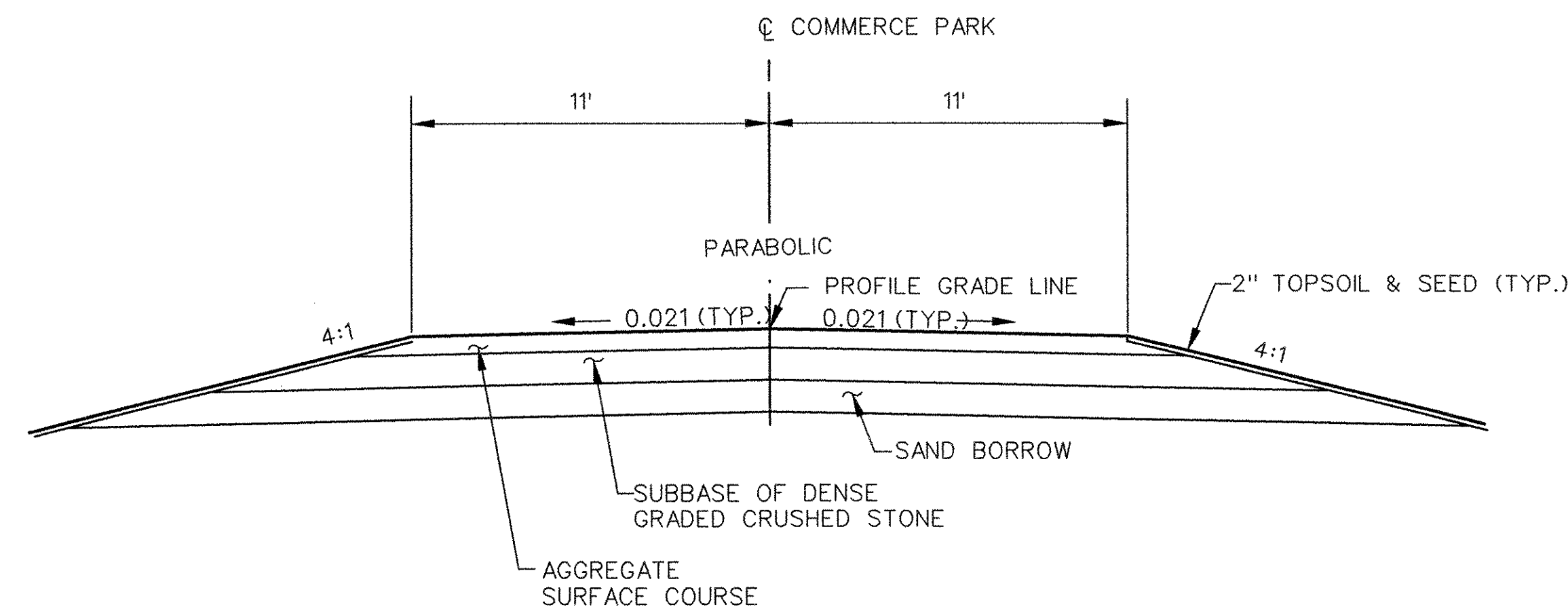


COMMERCE PARK PAVED SECTION
(STA. 16+87.21 TO STA. 19+67.07)



RIVER ROAD

- 7" AGGREGATE SURFACE COURSE
- 12" SUBBASE OF DENSE GRADED CRUSHED STONE
- 12" SAND BORROW



COMMERCE PARK AGGREGATE SECTION
(STA. 13+69.97 TO STA. 16+87.21)

GENERAL NOTES:

- SEED MIXTURE: SHALL NOT HAVE A WEED CONTENT EXCEEDING 0.40% BY WEIGHT AND SHALL BE FREE OF ALL NOXIOUS SEED.
- SEED: TO BE APPLIED PER SEEDING FORMULAS OR AS DIRECTED BY THE ENGINEER.
- FERTILIZER: FORMULA 10-20-10, TO BE USED WITH SEED, APPLIED AT THE RATE OF 500lb/AC (HYDRO SEEDERS MAY USE 19-19-19 FORMULA).
- AGRICULTURAL LIMESTONE: TO BE APPLIED AT THE RATE OF 2 TONS/AC OR AS DIRECTED BY THE ENGINEER.
- SLOPE ROUNDING: ALL CUT SLOPES TO BE ROUNDED IN ACCORDANCE WITH STANDARD SHEET B-5.
- TACK COAT: EMULSIFIED ASPHALT IS TO BE APPLIED AT THE RATE OF 0.015 GAL PER SY BETWEEN SUCCESSIVE COURSES OF PAVEMENT AS DIRECTED BY THE ENGINEER.
- LIMITS OF CLEARING AND GRUBBING OF UNDISTURBED AREAS SHALL BE A MIN. OF 5' OFF PROPOSED ROADWAY SLOPE LIMITS.

MATERIAL ITEM	THICKNESS	TOLERANCE
PAVEMENT (TOTAL DEPTH)	3 1/16"	
AGGREGATE	1 7/16"	
SUBBASE	1 3/16"	
SAND	1 3/16"	

09:02:53 AM 06/13/03 M:\18737s_vt_rail_xing\SHARON_CROSSING.dgn_sht2.dgn

DATUM

VERTICAL	NAVD88 ± 0.5 FT.
HORIZONTAL	SPC 1983

ORIGINAL PREPARED:		
DATE	REVISIONS	BY

NOT TO SCALE

SHEET 1 OF 2

PROJECT NAME:	SHARON GRADE CROSSING	
PROJECT NUMBER:	STP2034 (13)S	
FILE NAME:	SHT2.DGN	PLOT DATE: 06/13/03
PROJECT LEADER:	R. O'BLENIS	DRAWN BY: J. DEROSIER
DESIGNED BY:	C. GLOVER	CHECKED BY: R. ORO
		SHEET 2 OF 35