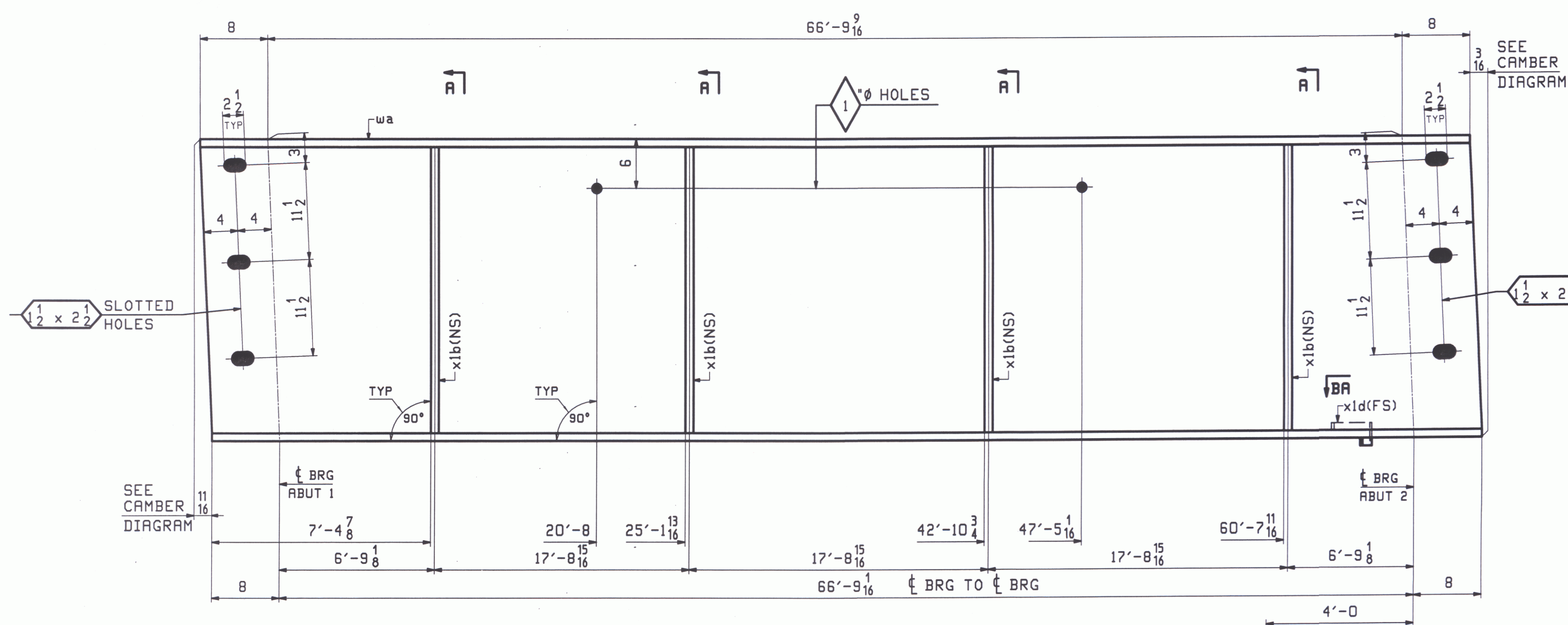
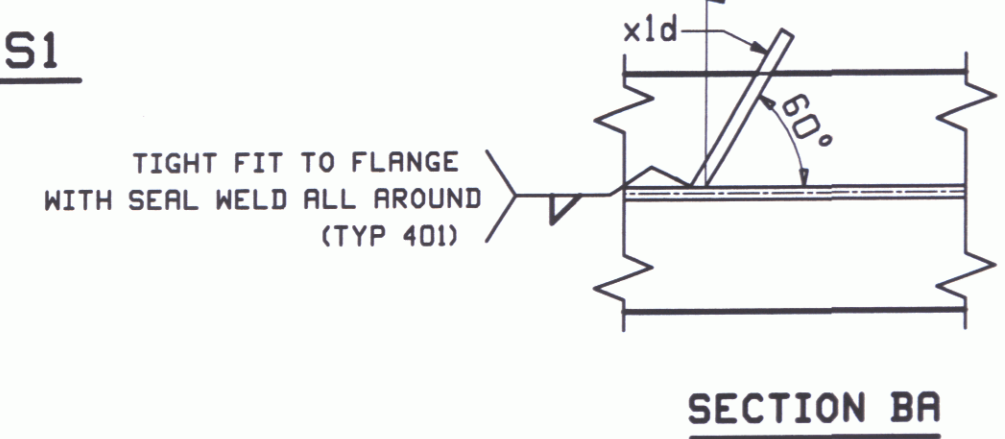


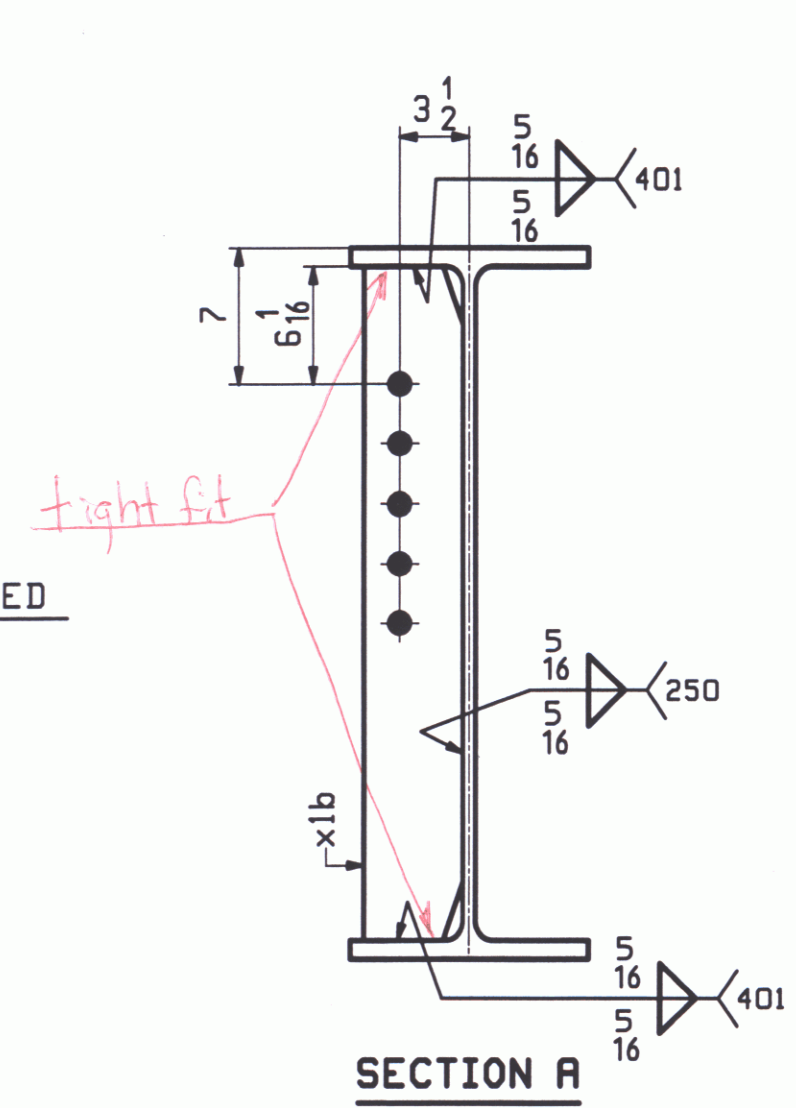
ABM INFO		BILL OF MATERIAL				JOB NO.	DRAWING NO.	REV.		
PAGE	LINE	MARK	QTY	MARK	MATERIAL	LENGTH FT	INCHES	REMARKS	WT	PROCUREMENT NOTES
		IS1	1		STRINGER	66	9 9/16			10320
1	B		1	wa	W 36x150	68	1 3/4	M270-50WT2 (H2-3)		
1	E		4	x1b	PL 1/2x5	2	10			
1	F		1	x1d	PL 1/4x3	0	8 1/16			
		IS2	1		STRINGER					10415
1	B		1	wa	W 36x150	68	1 3/4	M270-50WT2 (H2-3)		
1	E		4	x1a	PL 1/2x5	2	10			
1	E		4	x1b	PL 1/2x5	2	10			



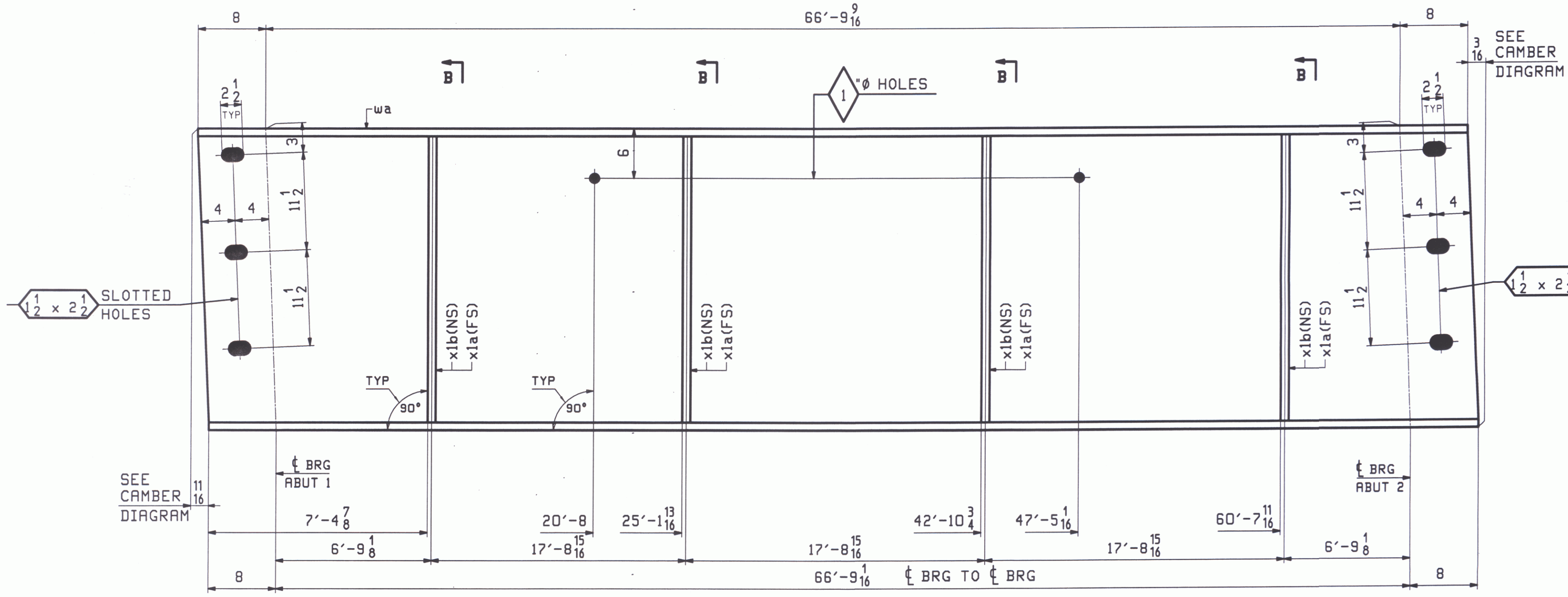
ONE - STRINGER - IS1



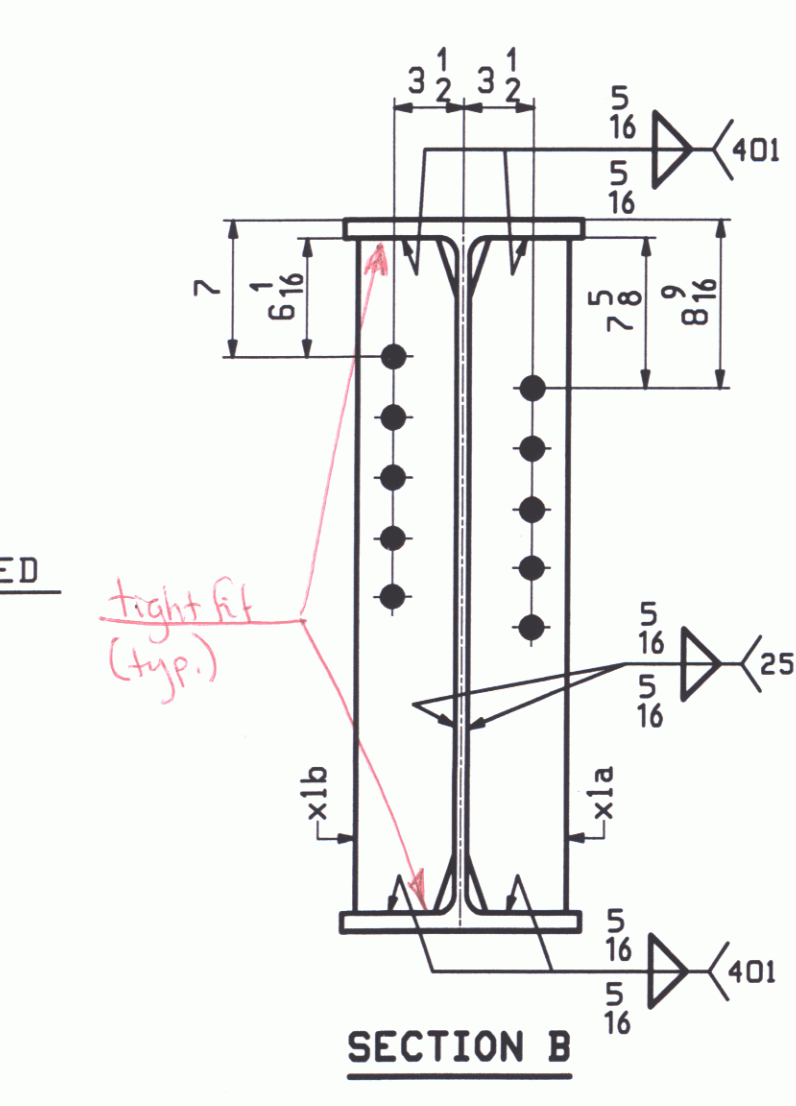
SECTION BA



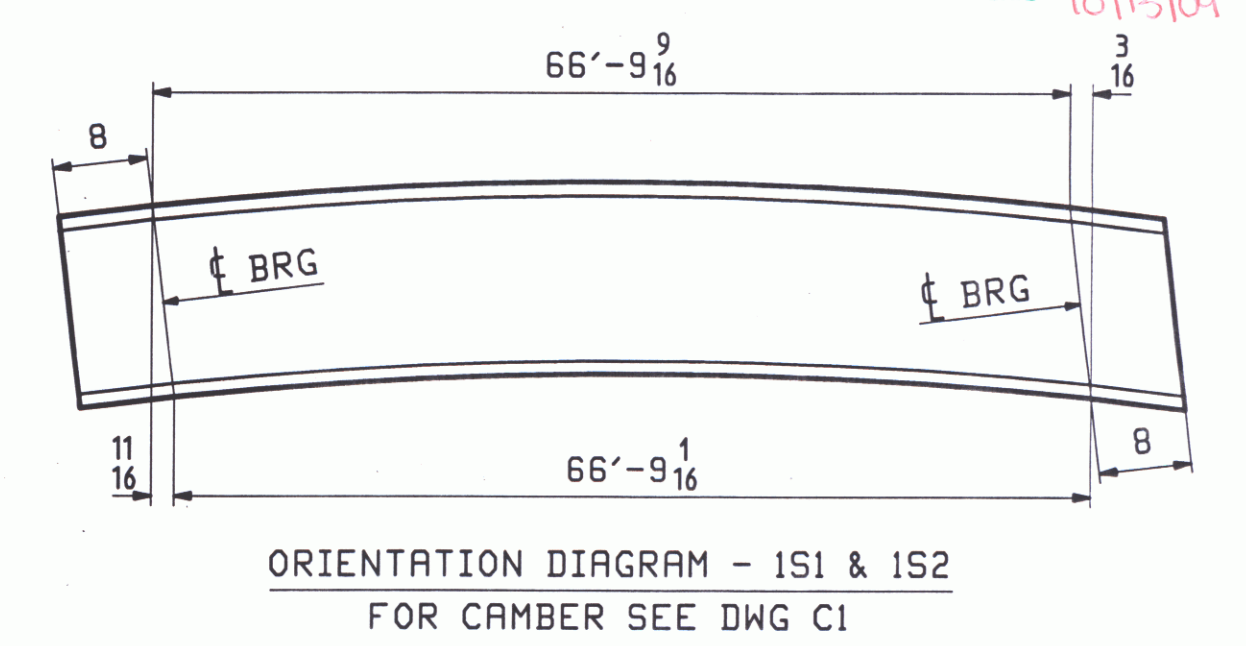
SECTION A



ONE - STRINGER - IS2



SECTION B



ORIENTATION DIAGRAM - IS1 & IS2 FOR CAMBER SEE DWG C1

NOTES:  
 FOR STRINGER STANDARD DETAILS SEE DRAWING XI.  
 FOR CAMBER DIAGRAMS SEE DRAWING C1.  
 FOR GENERAL NOTES SEE DRAWING GNI.  
 H2-3 DENOTES MATERIAL SUBJECT TO CHАРRY V-NOTCH TESTING.

REV.	DATE	REMARKS	DWN	CHK	APVL	SHOP
0						SEP 21 2009
		MATERIAL: M270M-50W (UN)				SHOP BOLTS: NONE
		SURFACE PREP. & PAINT: SEE DWG GNI				
		HOLES: 15-16 φ				
DESCRIPTION: STRINGERS - IS1 & IS2						
CASCO BAY STEEL STRUCTURES, INC. 75 SPRING HILL ROAD SACO, MAINE 04072 PHONE (207) 282-7360 FAX. (207) 282-1179						
STRUCTURE: BRIDGE NO. 15 ON TOWN HIGHWAY NO. 3 (MINOR COLLECTOR) COUNTY OF RUTLAND			DRAWN: JT B		DATE: 09/08	
			CHKD: JCF		DATE: 09/16	
LOCATION: TOWN OF CLARENDON, VERMONT			JOB NO. 424		DWG NO. 1	
PROJ NO. BHO 1443 (39)					REV. 1	
CUSTOMER: VERMONT A.O.T.					REV. 1	

RECEIVED  
 OK'D BY: [Signature]  
 SEP 23 2009  
 APPROVED BY: [Signature]  
 DATE: 10/13/09