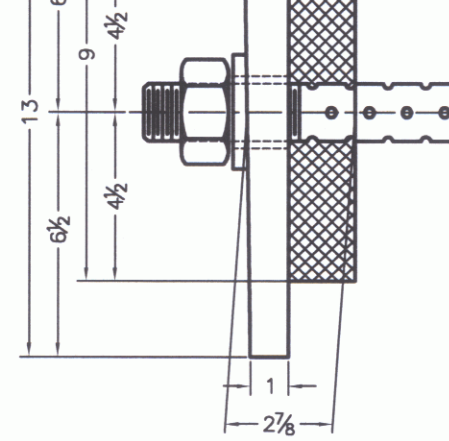
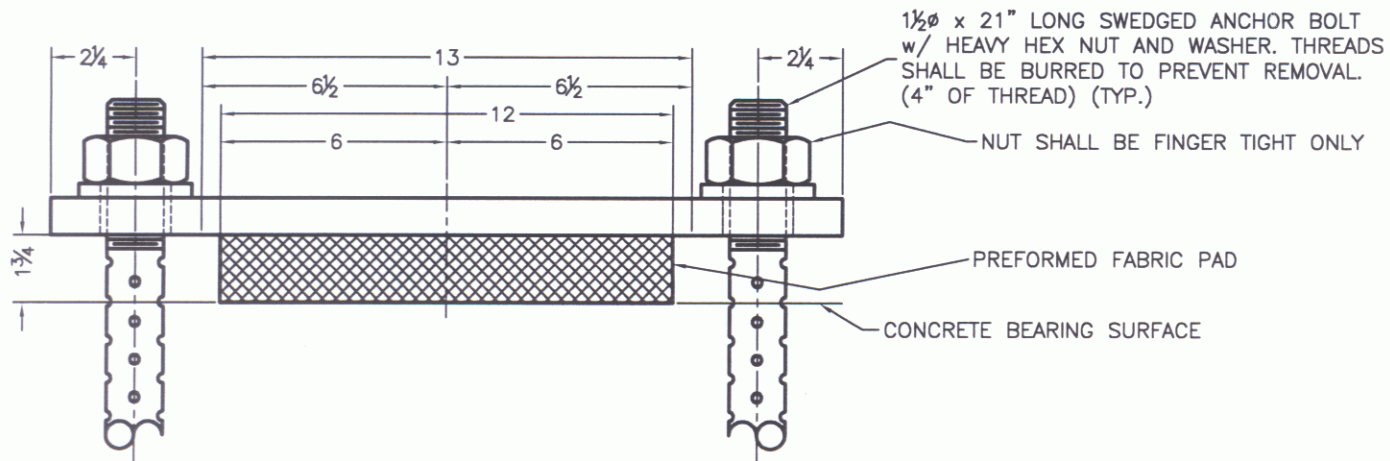


PLAN VIEW



SIDE VIEW



ELEVATION VIEW

ABUTMENT NO. 2  
QTY REQ'D = 4 ASSY.  
ITEM NO. 531.10

8

7

6

5

4