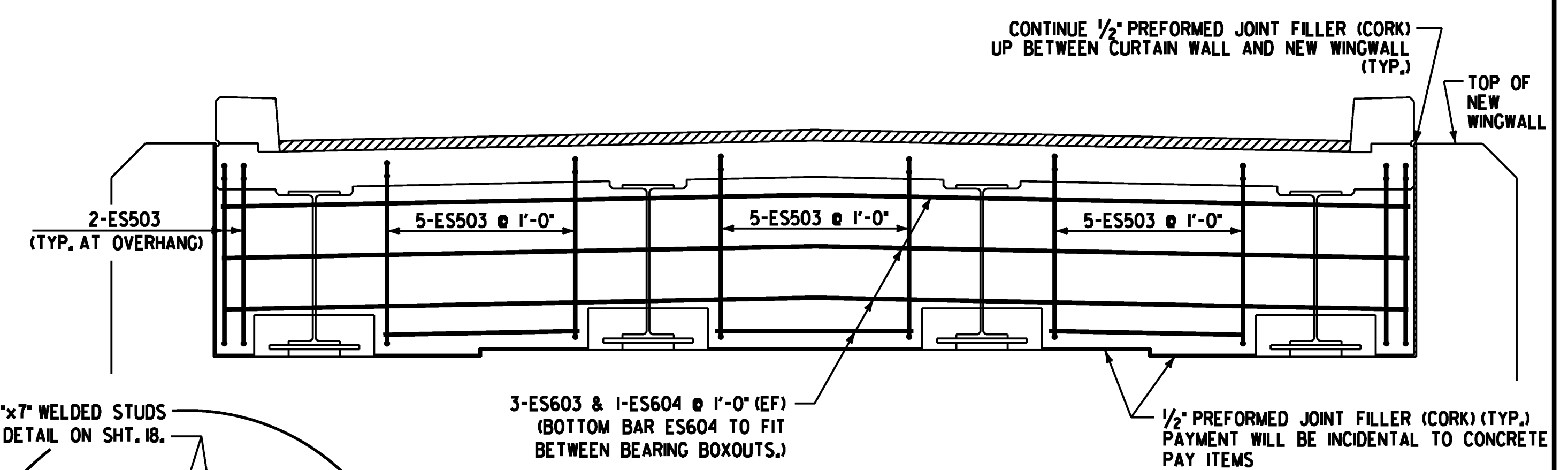


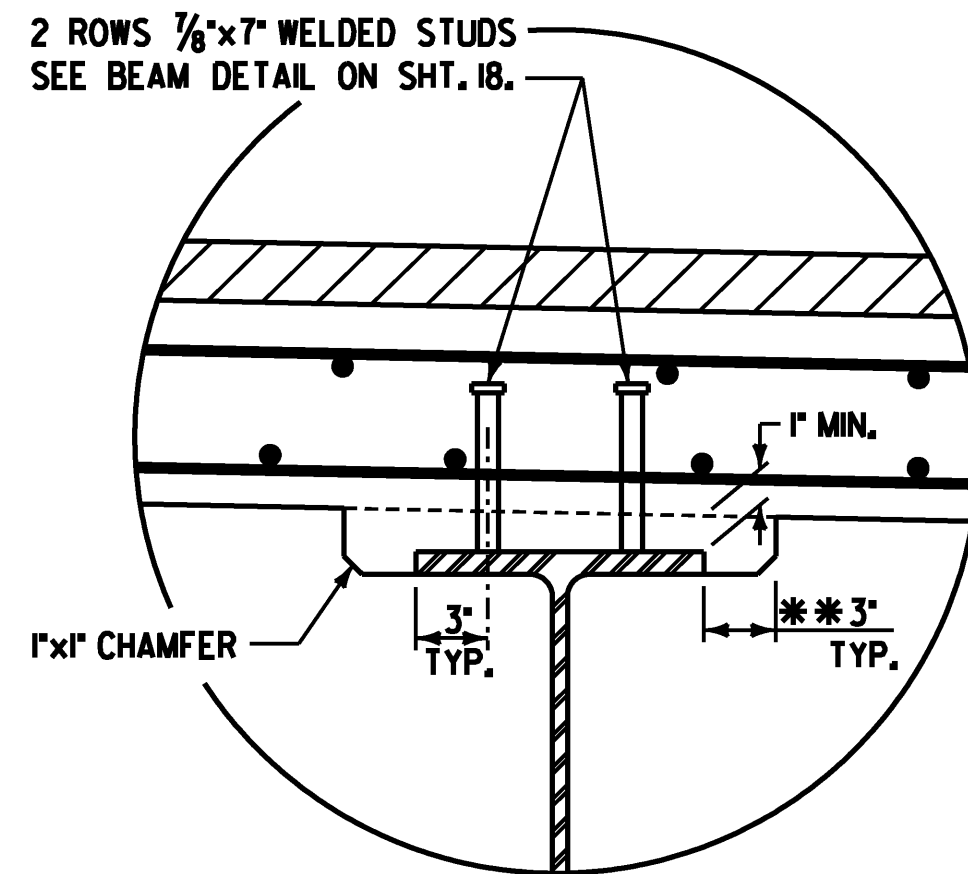
BRIDGE TYPICAL SECTION

SCALE 1/2" = 1'-0"
1 0 1 2



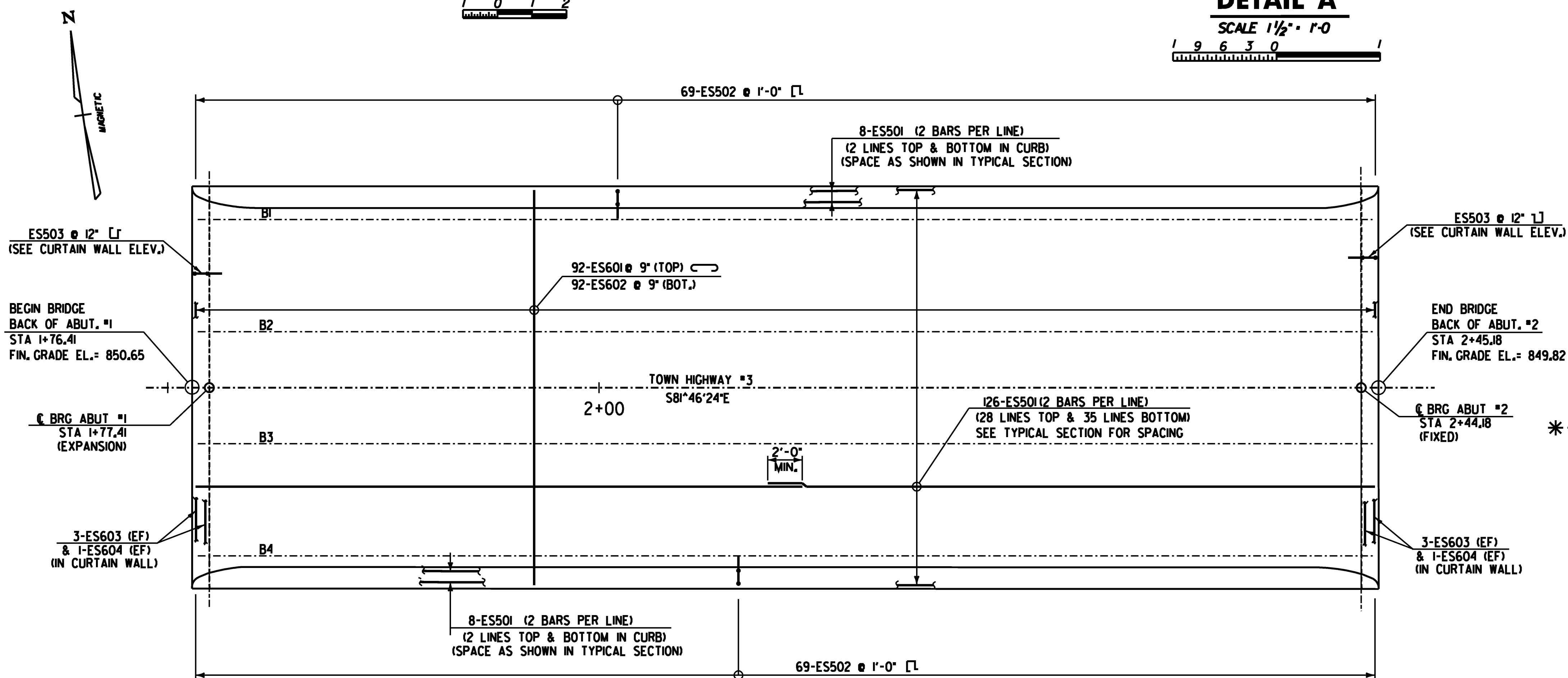
CURTAIN WALL ELEVATION

SCALE 1/2" = 1'-0"
1 0 1 2



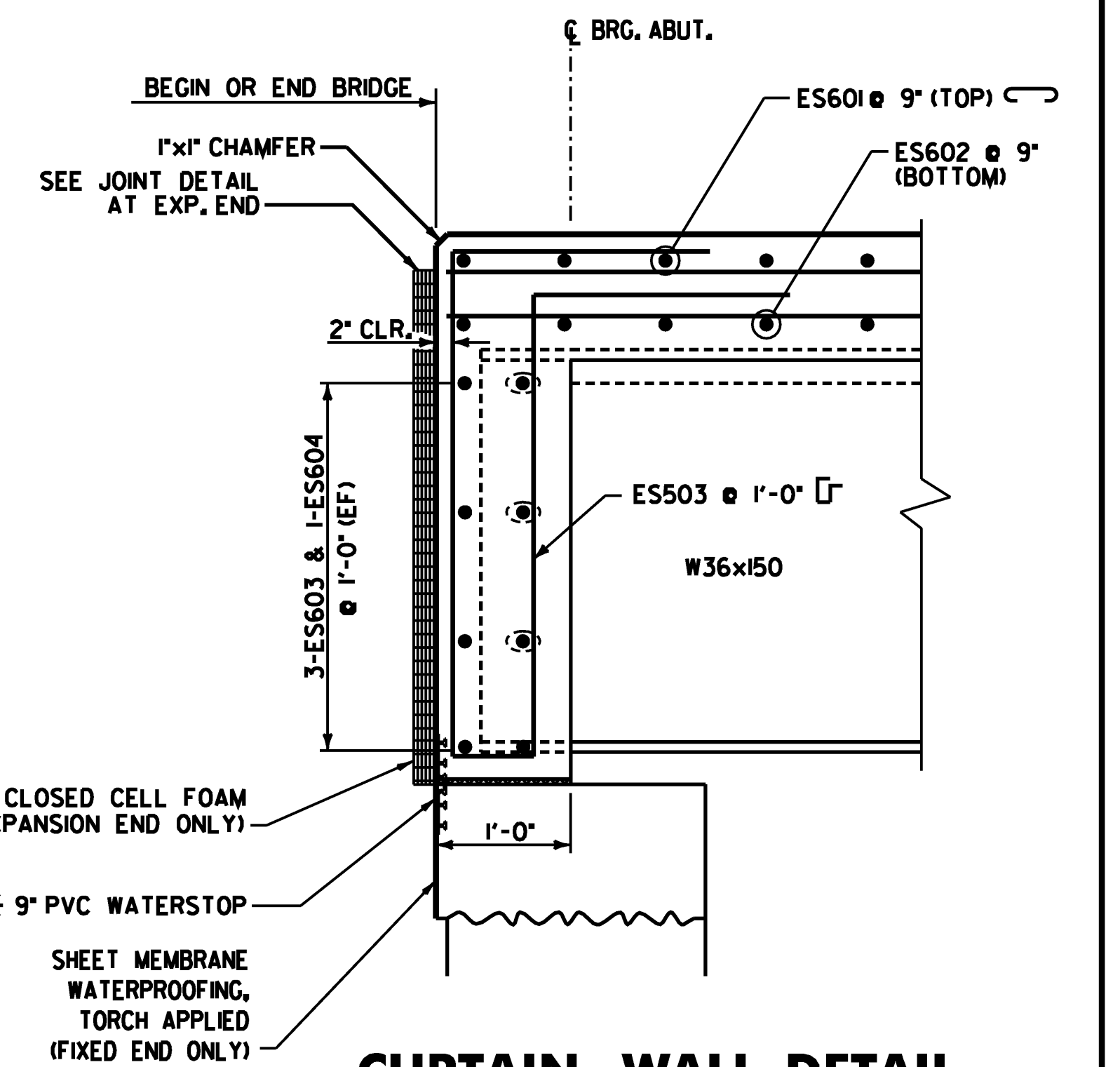
DETAIL A

SCALE 1 1/2" = 1'-0"
1 9 6 3 0



DECK REINFORCING PLAN

SCALE 1/4" = 1'-0"
1 0 2 4 6



CURTAIN WALL DETAIL

SCALE 1" = 1'-0"
1 9 6 3 0 1 2

NOTE:
1. ALL REINFORCING STEEL IN DECK, CURB AND CURTAIN WALL SHALL BE EPOXY COATED, ITEM 507.17.



PROJECT NAME: CLARENDON
PROJECT NUMBER: BHO 1443 (39)

FILE NAME: ...Drawing\17-clar-deck.dgn
PROJECT LEADER: MJC
DESIGNED BY: SEB
DECK REINFORCING PLAN
PLOT DATE: 7/2/2009
DRAWN BY: AET
CHECKED BY: SEB
SHEET 17 OF 24