

MOD. BARRIER RAIL SPLICES

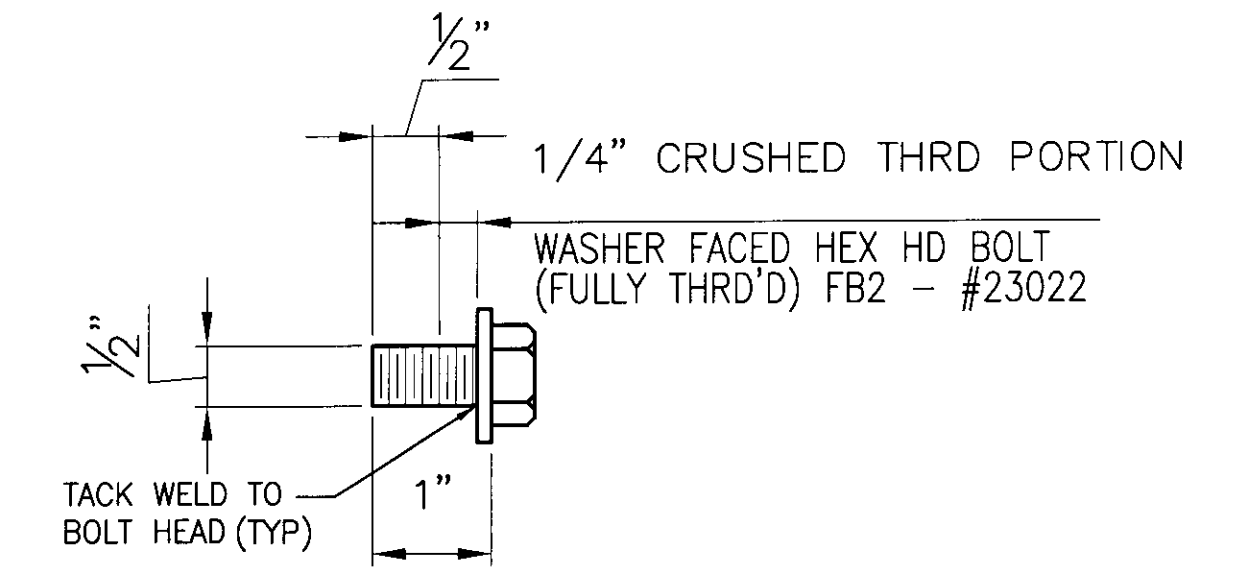
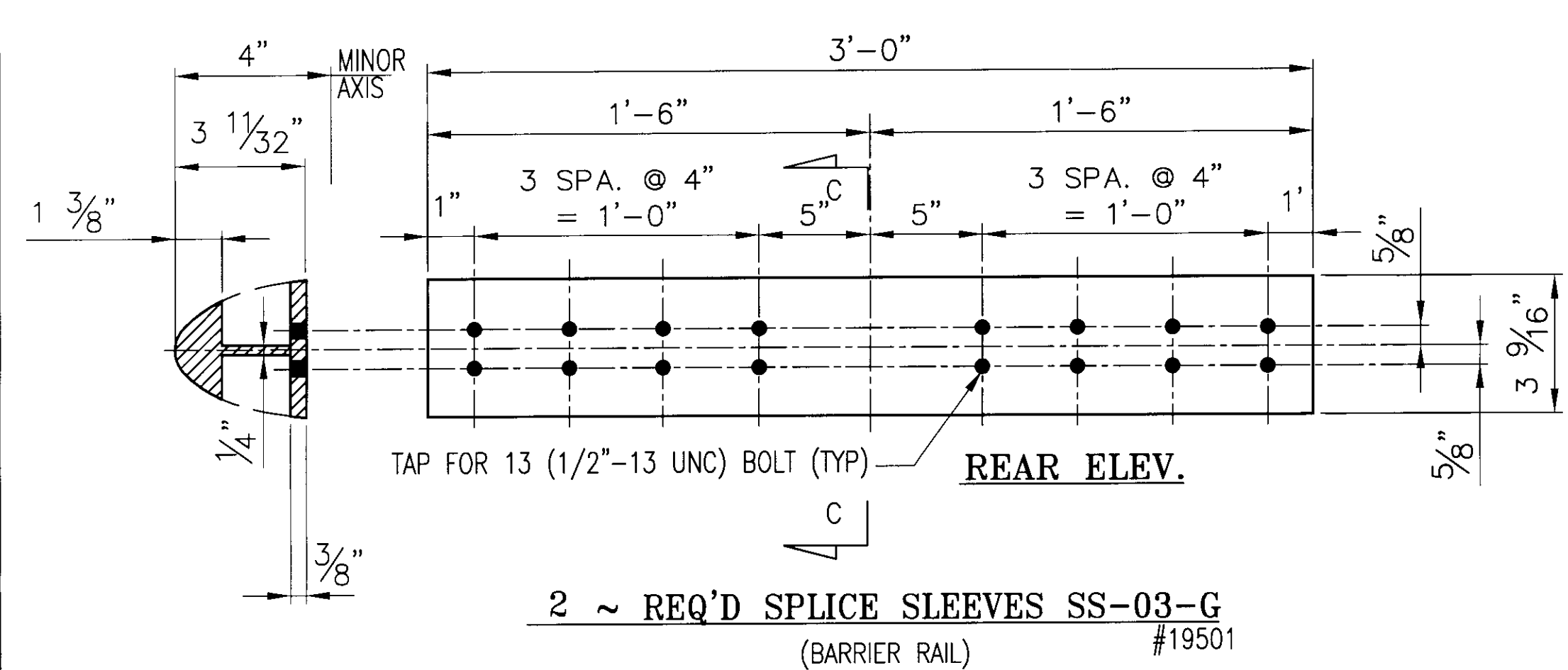
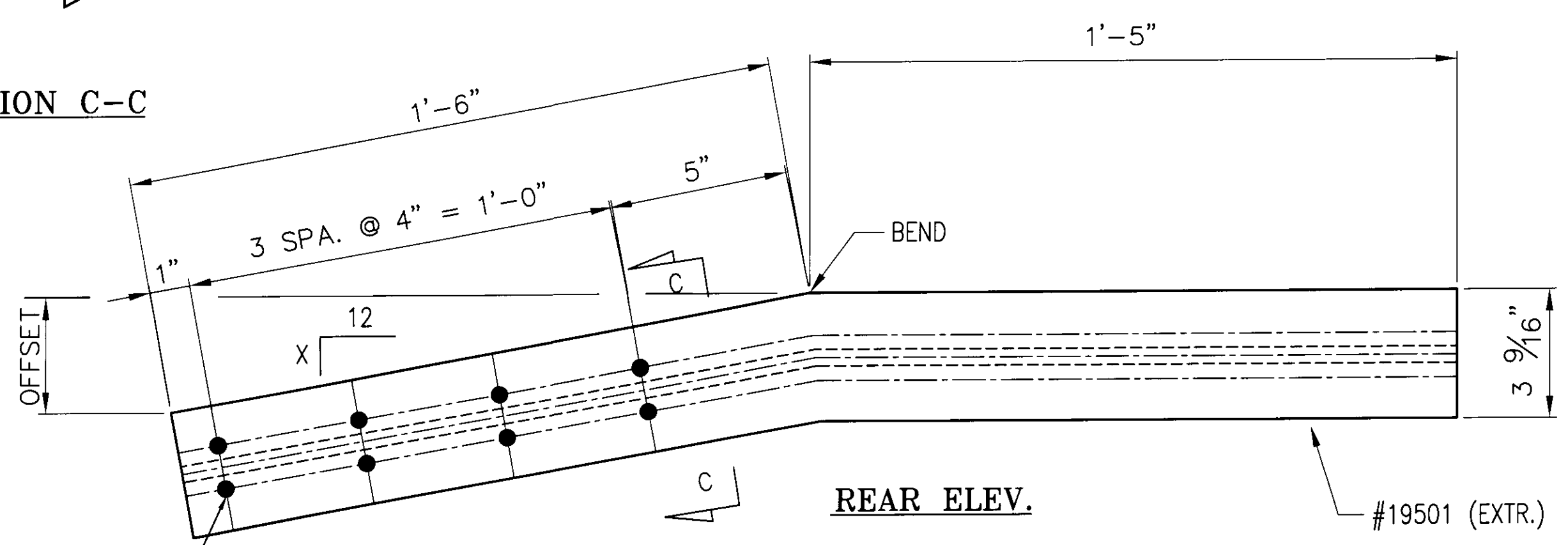
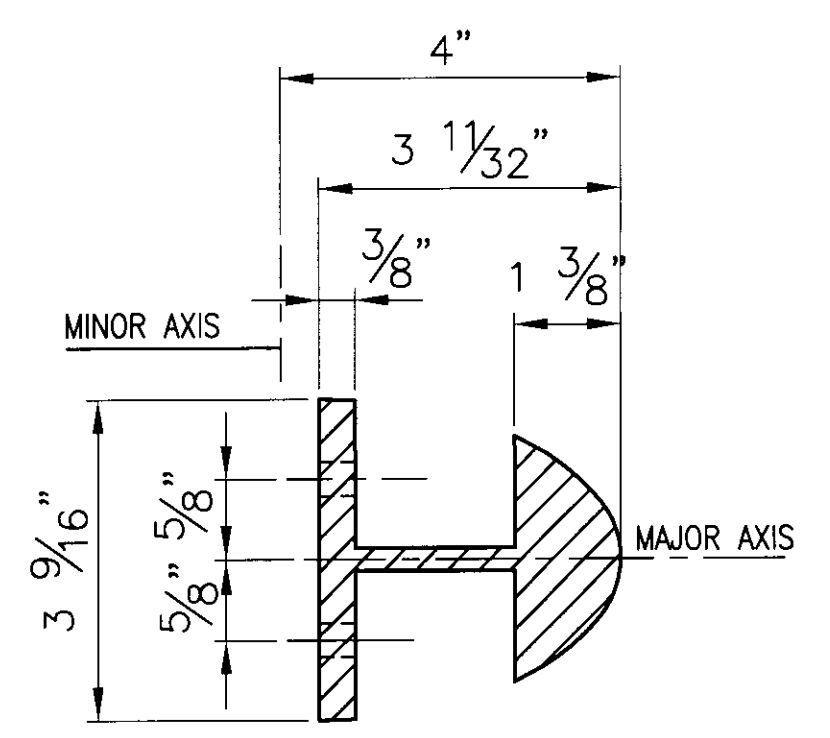
MK.	X	QTY.	OFFSET
SS-03-G7	1 7/16	1	2 1/8"
SS-03-G8	1 5/16	1	1 15/16"

MOD. BARRIER RAIL SPLICES

MK.	X	QTY.	OFFSET
SS-03-G5	3/16	1	5/16"
SS-03-G6	1/16	1	1/16"

BARRIER RAIL SPLICES

MK.	X	QTY.	OFFSET
SS-03-H1	3/8	1	1/16"
SS-03-H2	1/4	1	3/16"



BARRIER RAIL SPLICES

MK.	X	QTY.	OFFSET
SS-03-G1	3/8	1	9/16"
SS-03-G2	1/4	1	3/8"
SS-03-G3	1/2	1	3/4"
SS-03-G4	5/16	1	7/16"

ANODIZED
(SEE NOTES ON LB1)

2 ~ REQ'D SPLICE SLEEVES SS-03-G (BARRIER RAIL) #19501

DRILL AND TAP FOR 1/2"-13UNC BOLT (8 REQ'D) 'FB2'

DRILL AND TAP FOR 1/2"-13UNC BOLT (8 REQ'D) 'FB2'

DRILL AND TAP FOR 1/2"-13UNC BOLT (8 REQ'D) 1" LG. TYP., 'FB2'

BRIDGE No. 5
PROJECT No. BHO 1448 (29) ITEM No: 900.640

APPROVED: _____ REC'D APPROVAL _____
DRAWING

L.B. FOSTER COMPANY
1016 GREENTREE ROAD
PITTSBURGH, PENNSYLVANIA 15220

FOR: F. R. LAFAYETTE, INCORPORATED
VERMONT AGENCY OF TRANSPORTATION
TOWN OF JOHNSON, COUNTY OF LAMOILLE
APPROACH RAILING FOR TH No. 1 OVER THE GIRON RIVER
3L ALUMINUM APPROACH ~ SPLICE DETAILS

MADE CMS DATE 10/26/09 JOB No. AR0573 CUST. No.
CHECK BLW DATE 11/06/09 DRAWING LB13 REV. No. ONE

REV.	DESCRIPTION	BY	DATE
1	GENERAL REVISION PER APPROVER COMMENTS	CMS	01 11 10