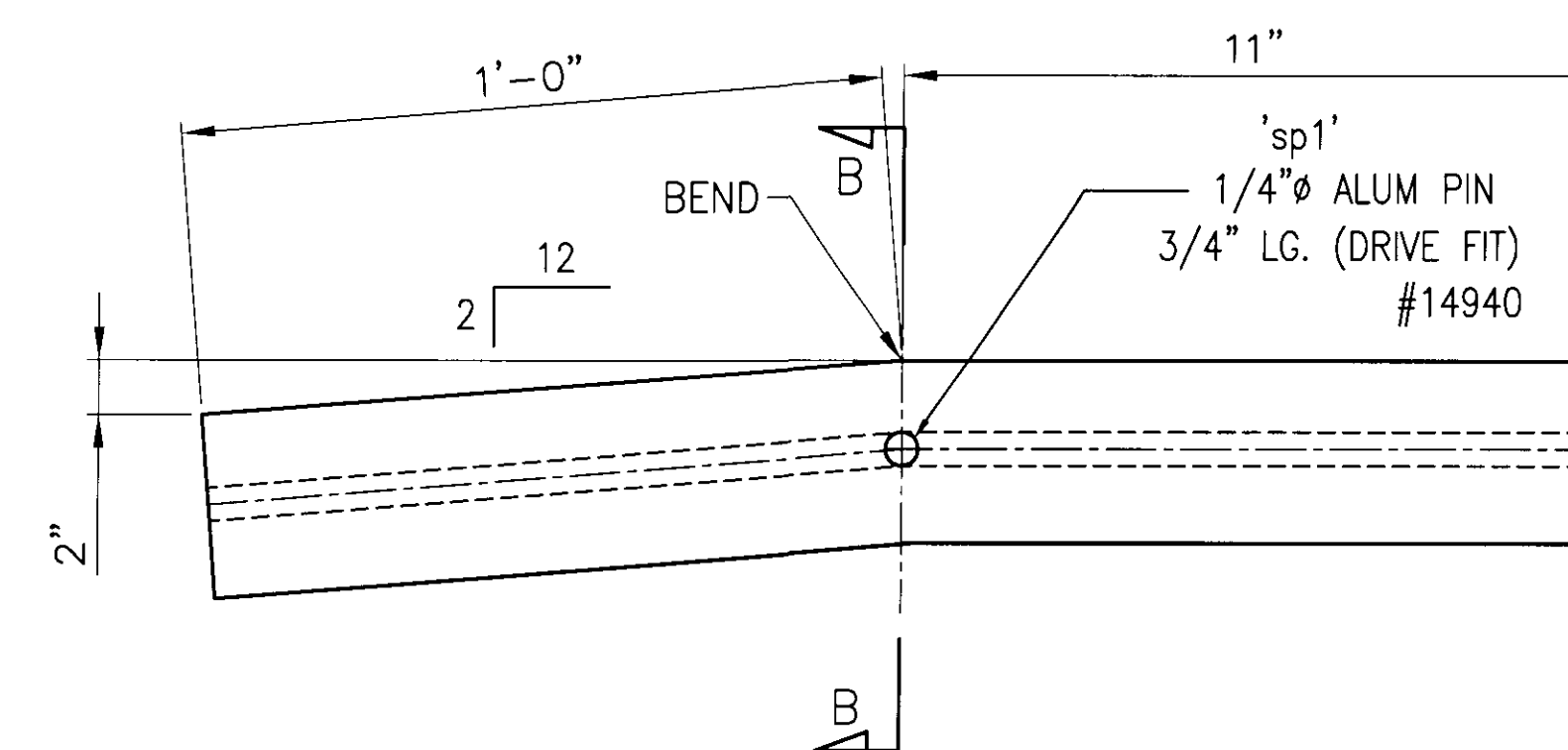
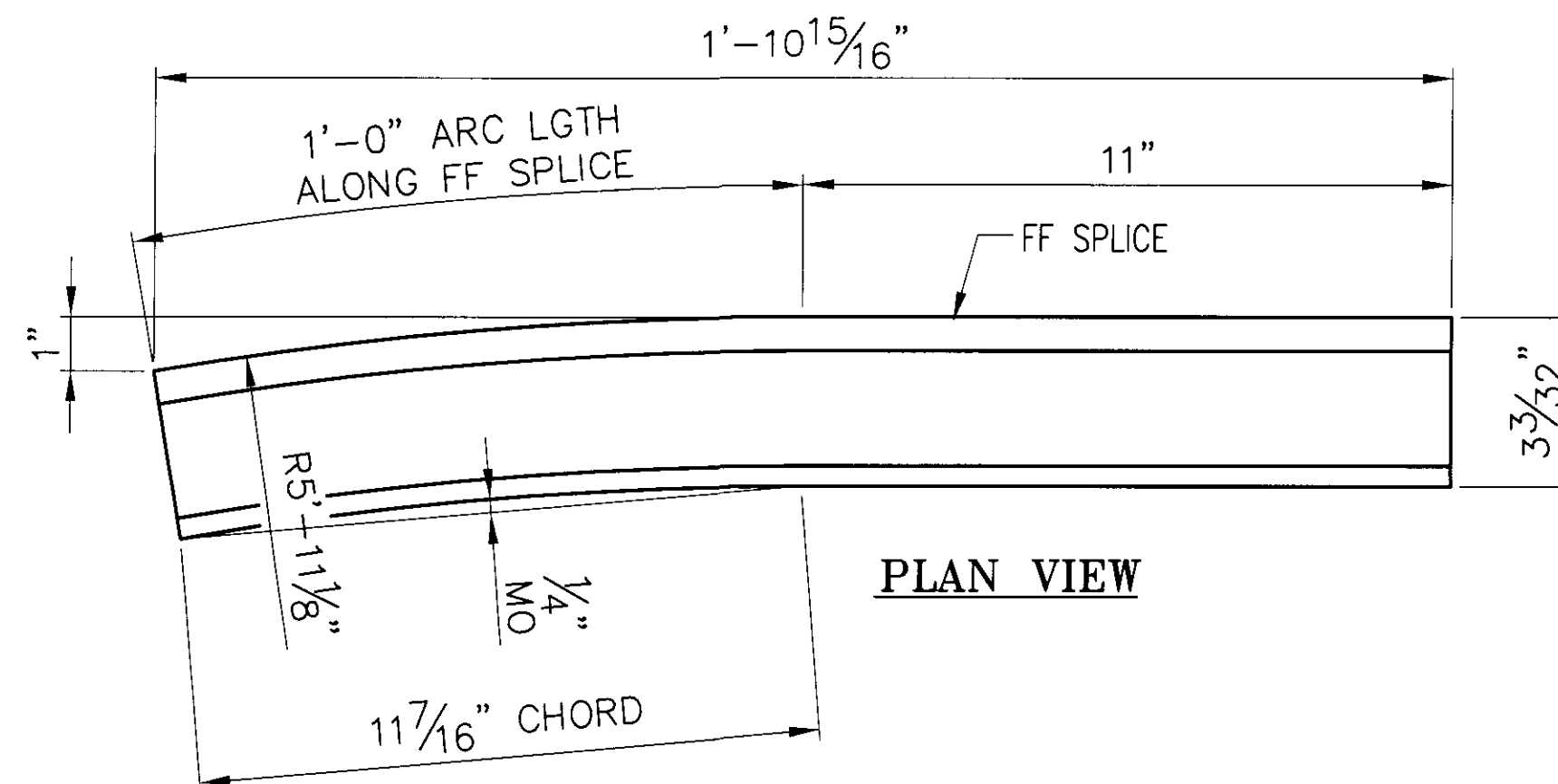
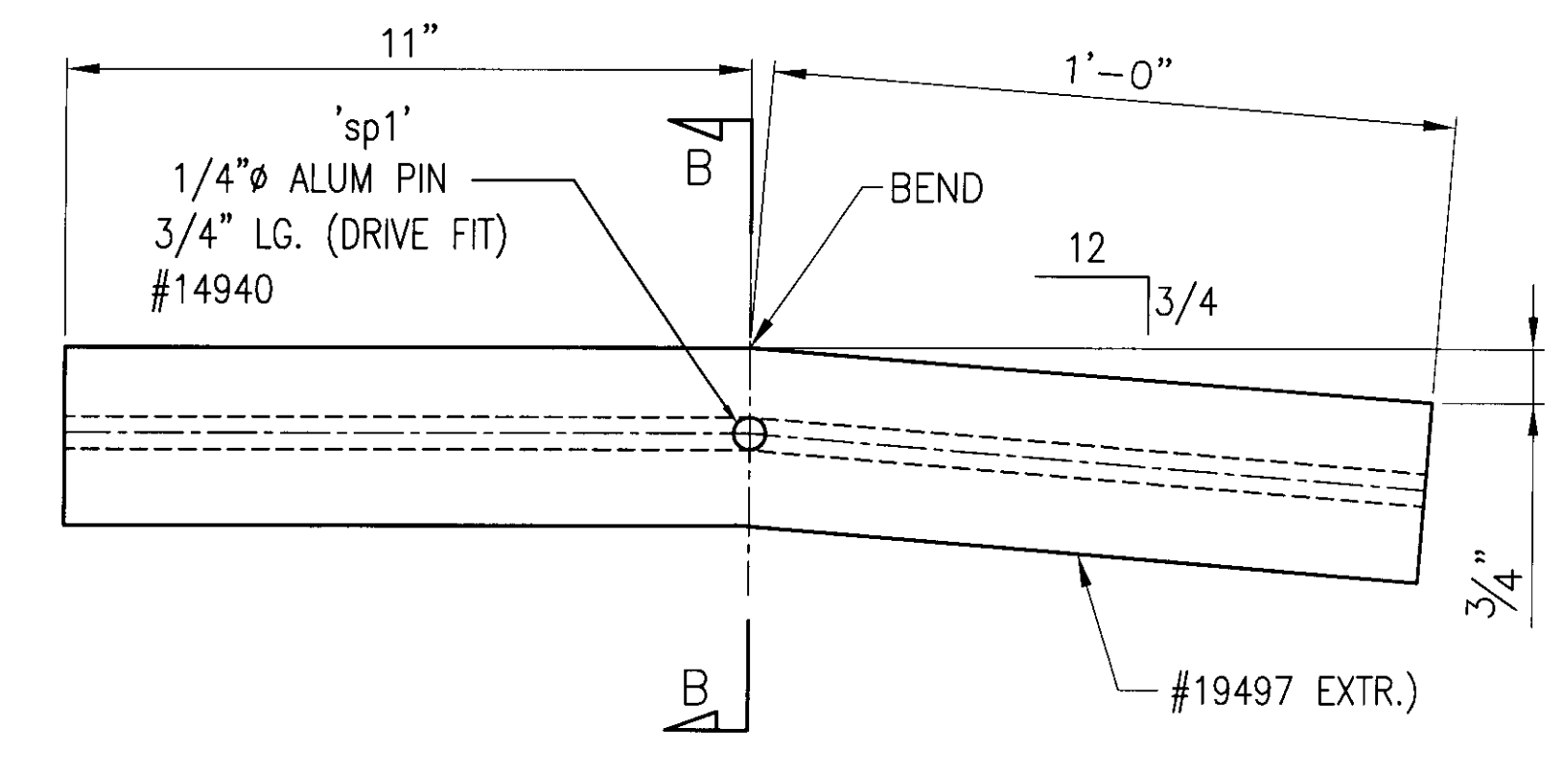
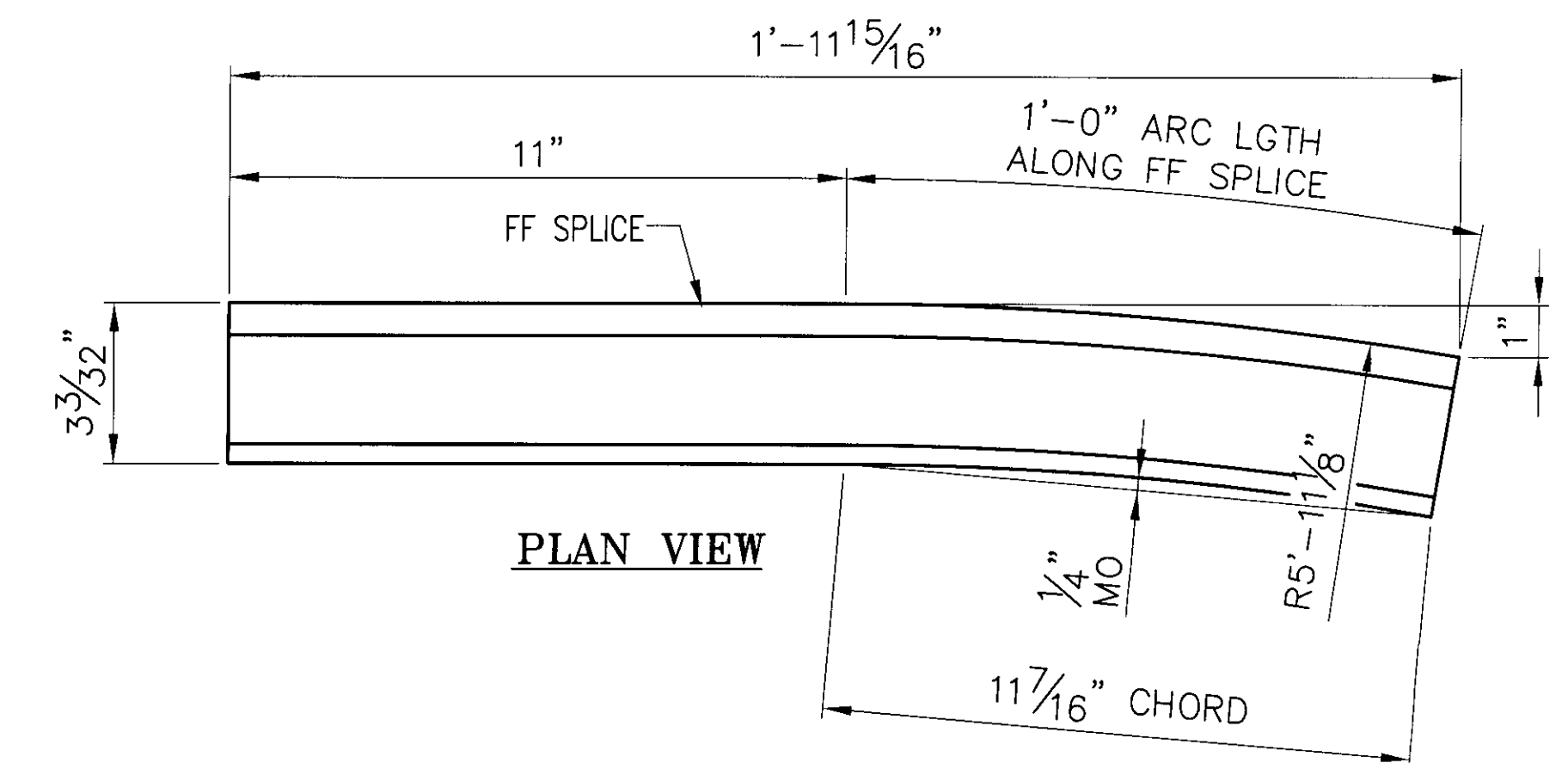


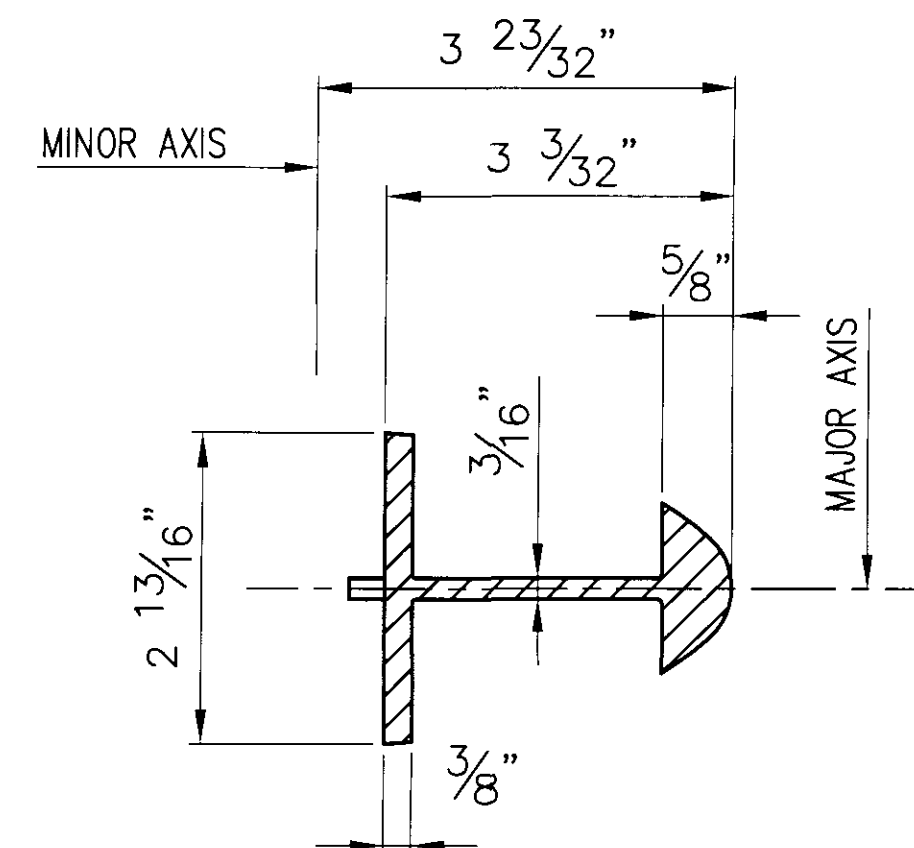
HANDRAIL SPLICES					
MK.	X	QTY.	"A"	"B"	OFFSET
SS-23-A1	15/16	1	11"	12"	15/16"
SS-23-A2	1	1	12"	11"	1"



ONE ~ REQ'D SPLICE SLEEVES SS-23-A4
(HANDRAIL) (#19497 EXTR.)



ONE ~ REQ'D SPLICE SLEEVES SS-23-A3
(HANDRAIL) (#19497 EXTR.)



SECTION B-B

ANODIZED
(SEE NOTES ON LB1)

BRIDGE No. 5
PROJECT No. BHO 1448 (29) ITEM No. 900.640

APPROVED: _____ REC'D APPROVAL _____
DRAWING

L.B. FOSTER COMPANY
1016 GREENTREE ROAD
PITTSBURGH, PENNSYLVANIA 15220

FOR: F. R. LAFAYETTE, INCORPORATED
VERMONT AGENCY OF TRANSPORTATION
TOWN OF JOHNSON, COUNTY OF LAMOILLE
APPROACH RAILING FOR TH No 1 OVER THE GIBON RIVER
3L ALUMINUM APPROACH ~ SPLICE DETAILS

MADE CMS DATE 10/26/09 JOB No. AR0573 CUST. No.
CHECK BLJ DATE 11/06/09 DRAWING LB12 REV. No.

REV.	DESCRIPTION	BY	DATE