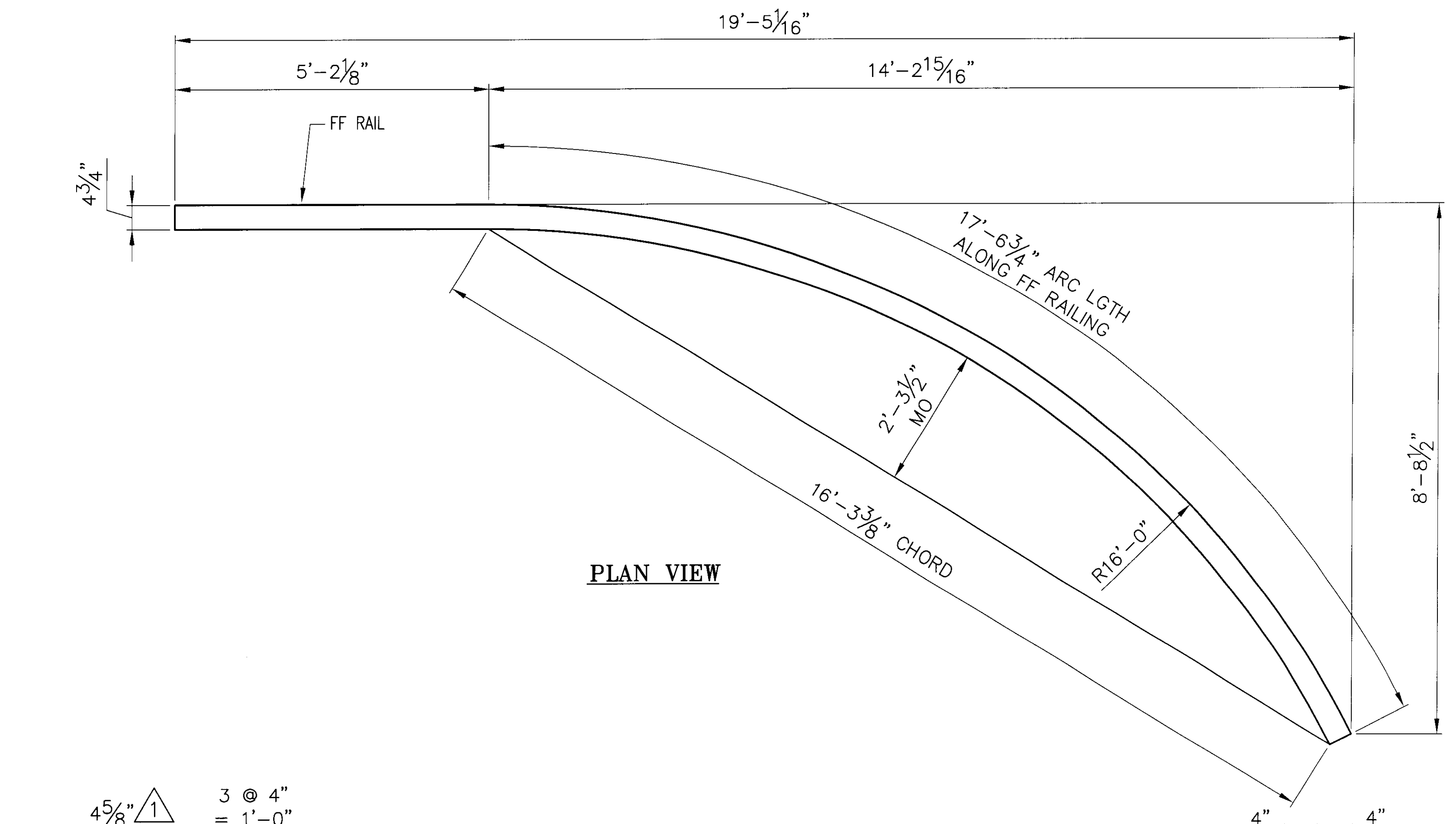
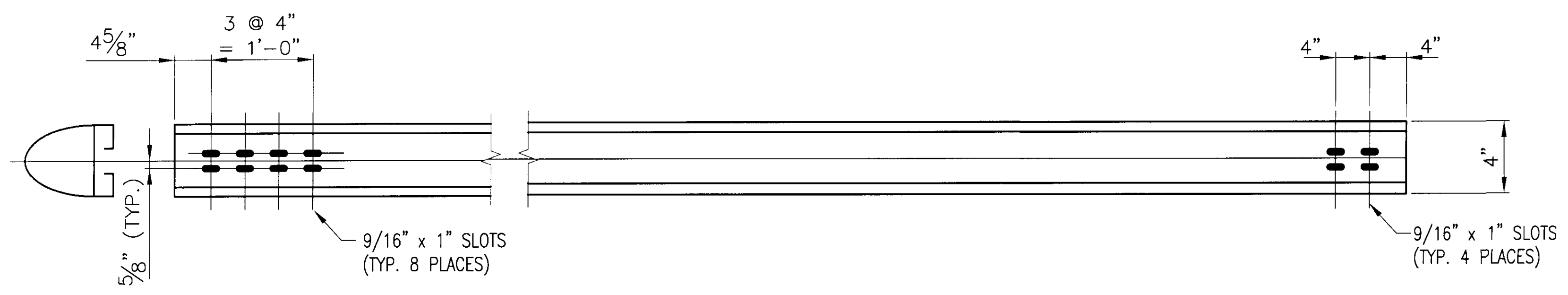


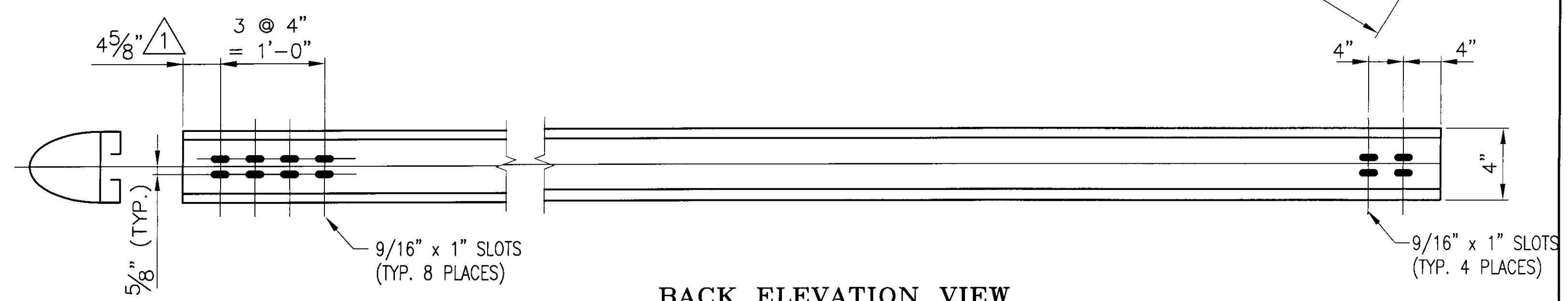
PLAN VIEW



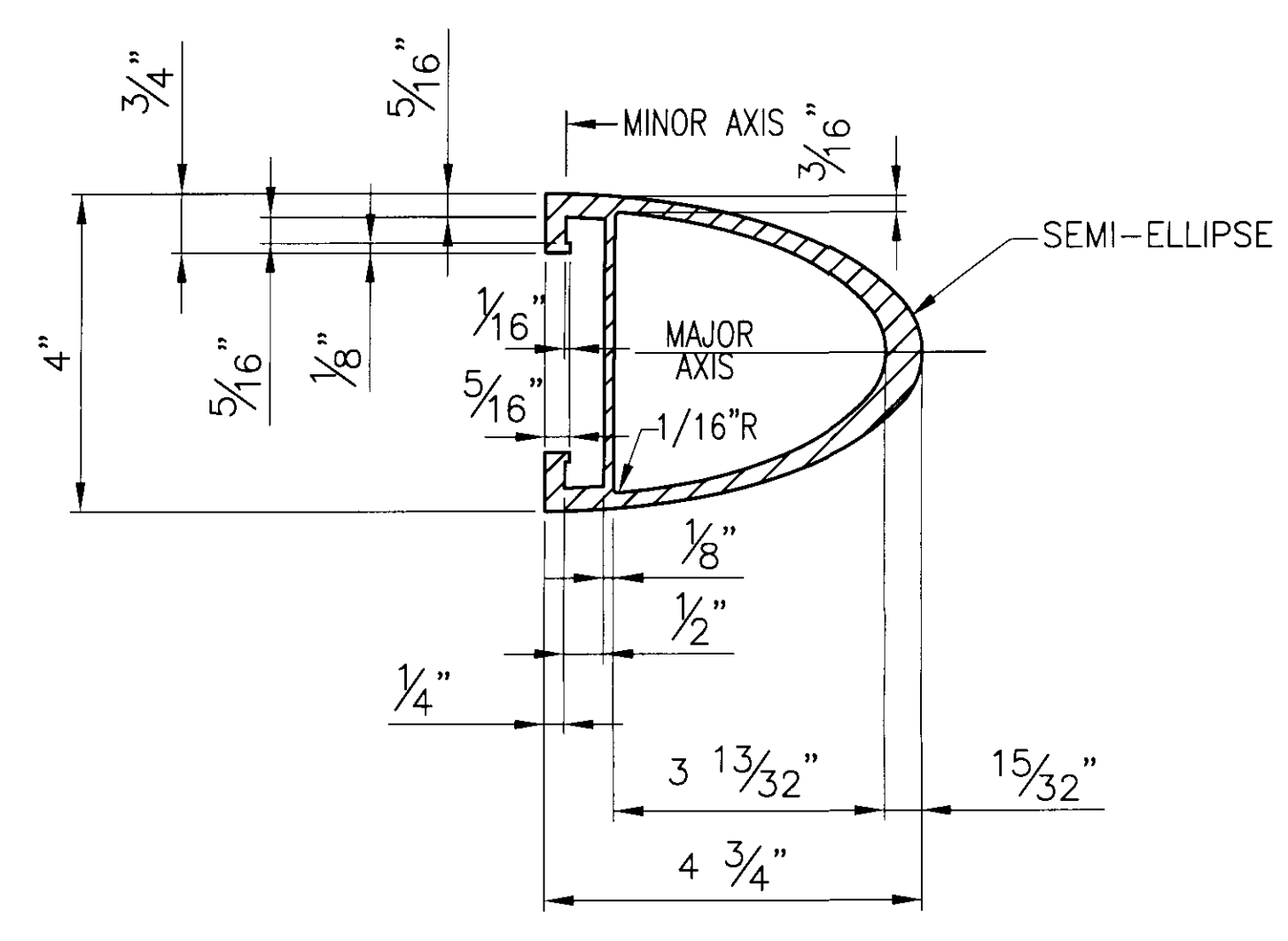
PLAN VIEW



BACK ELEVATION VIEW
ONE REQ'D - BARRIER RAIL 'MR1'



BACK ELEVATION VIEW
ONE REQ'D - BARRIER RAIL 'BR1'



TYPICAL SECTION
(BARRIER RAIL)

ANODIZED
(SEE NOTES ON LB1)

BRIDGE No. 5	PROJECT No. BHO 1448 (29)	ITEM No: 900.640
APPROVED:	REC'D APPROVAL	DRAWING
L.B. FOSTER COMPANY 1016 GREENTREE ROAD PITTSBURGH, PENNSYLVANIA 15220		
FOR: F. R. LAFAYETTE, INCORPORATED VERMONT AGENCY OF TRANSPORTATION TOWN OF JOHNSON, COUNTY OF LAMOILLE APPROACH RAILING FOR TH No 1 OVER THE GHON RIVER 3L ALUMINUM APPROACH RAIL - RAIL DETAILS		
MADE	CMS DATE 10/26/09	JOB No. ARO573 CUST. No.
CHECK	BLD DATE 11/06/09	DRAWING LB10 REV. No. ONE

1	REVISED DIMENSION	CMS	01 11 10
REV.	DESCRIPTION	BY	DATE