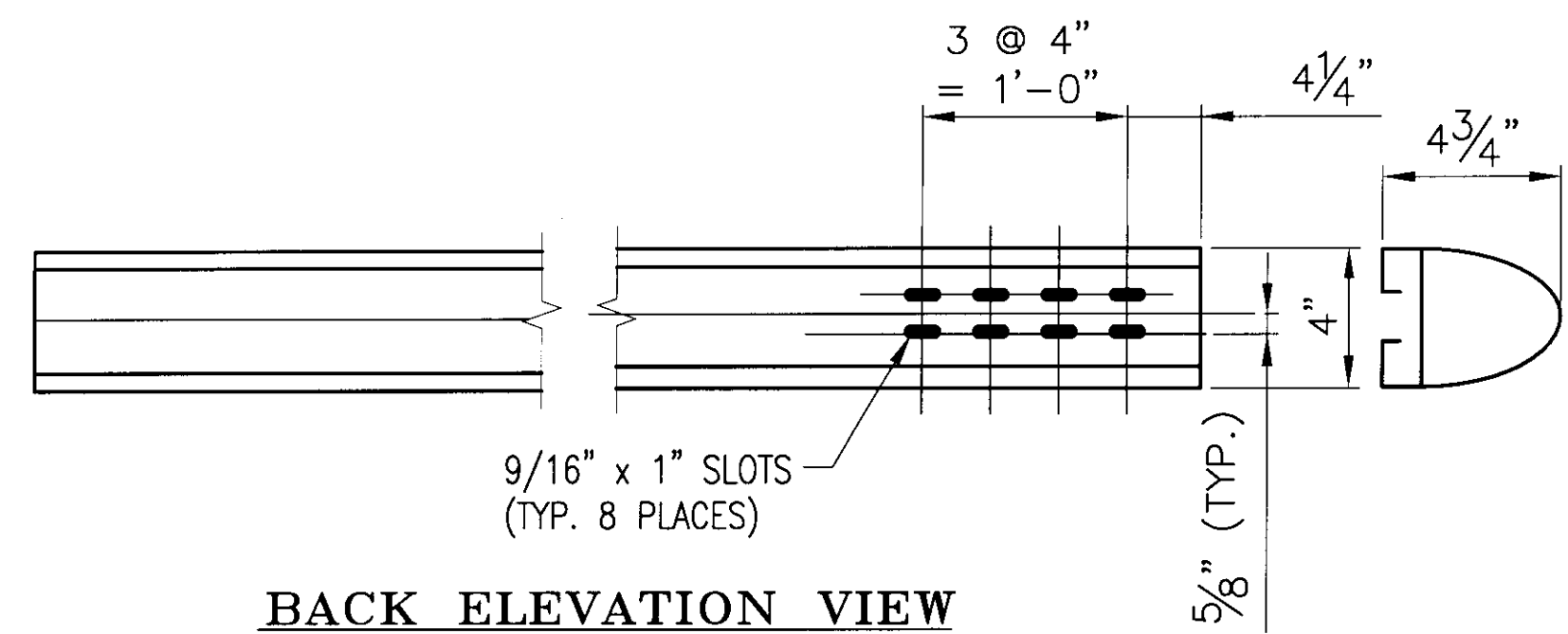
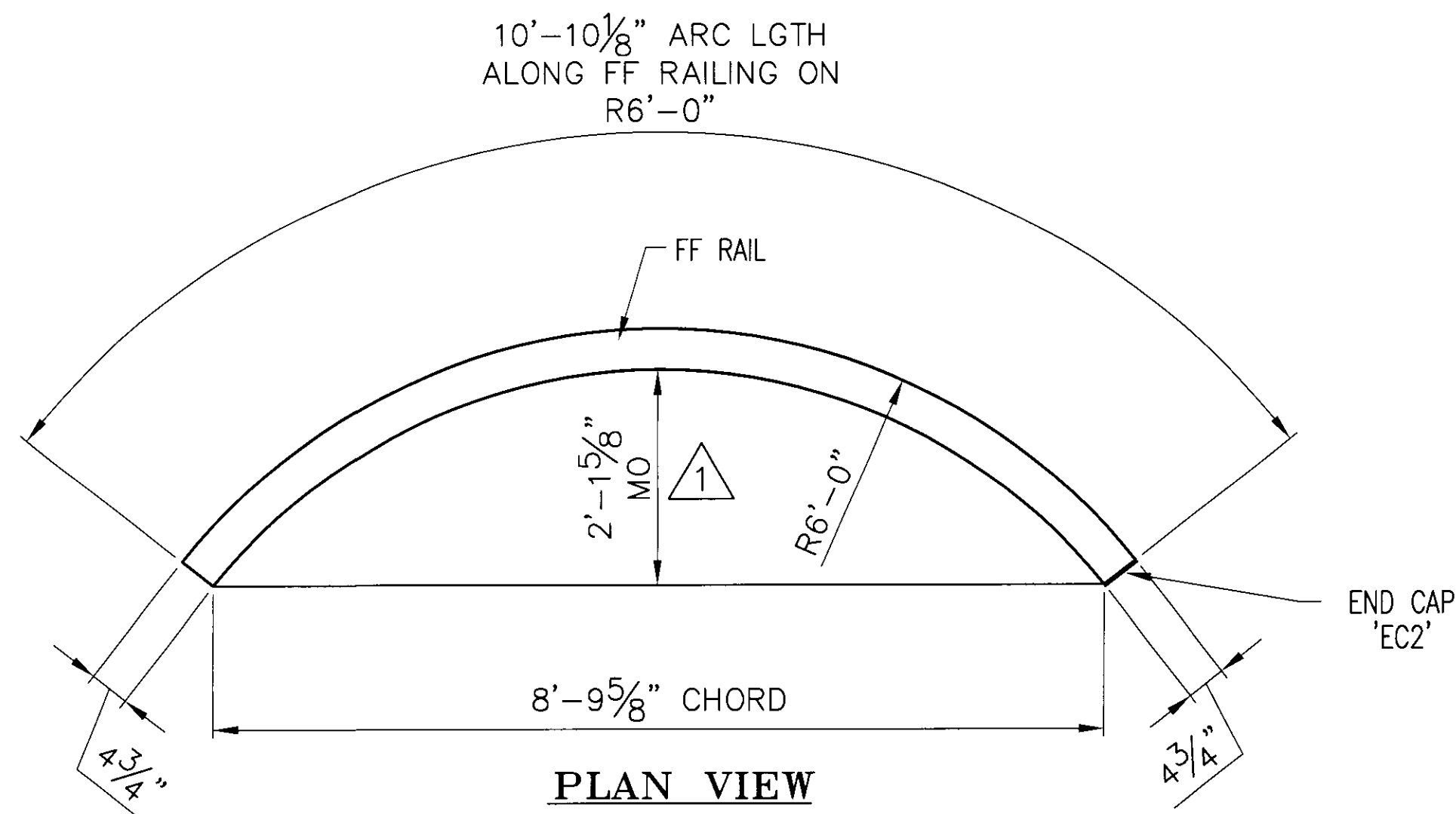


PLAN VIEW

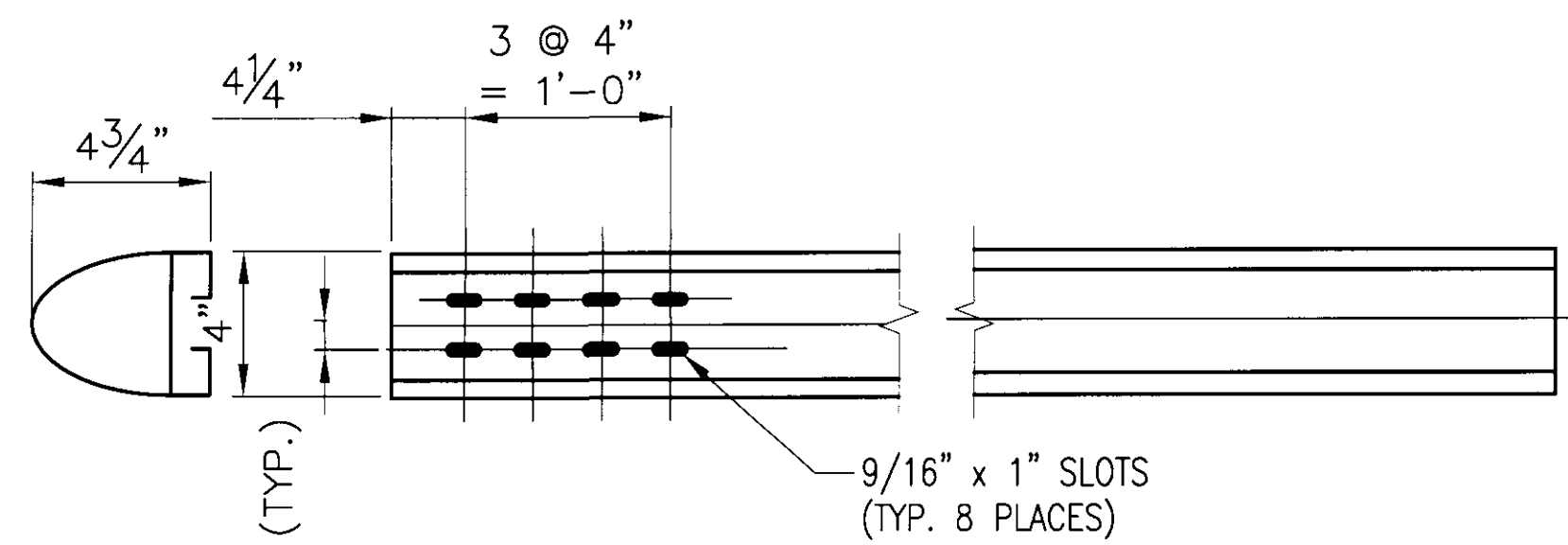


BACK ELEVATION VIEW

ONE REQ'D - BARRIER RAIL 'BR5'
(BACK ELEVATION VIEW)

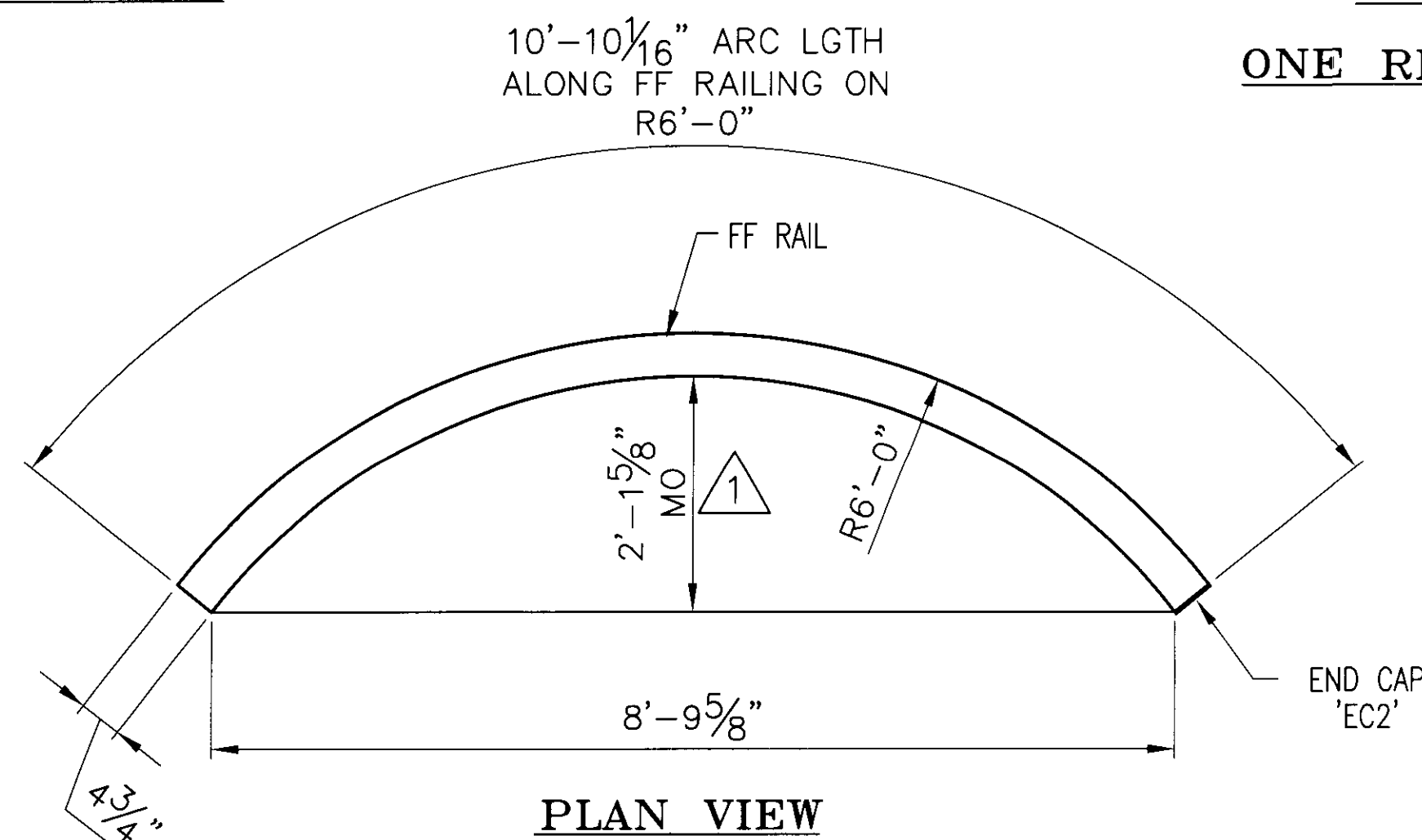


PLAN VIEW

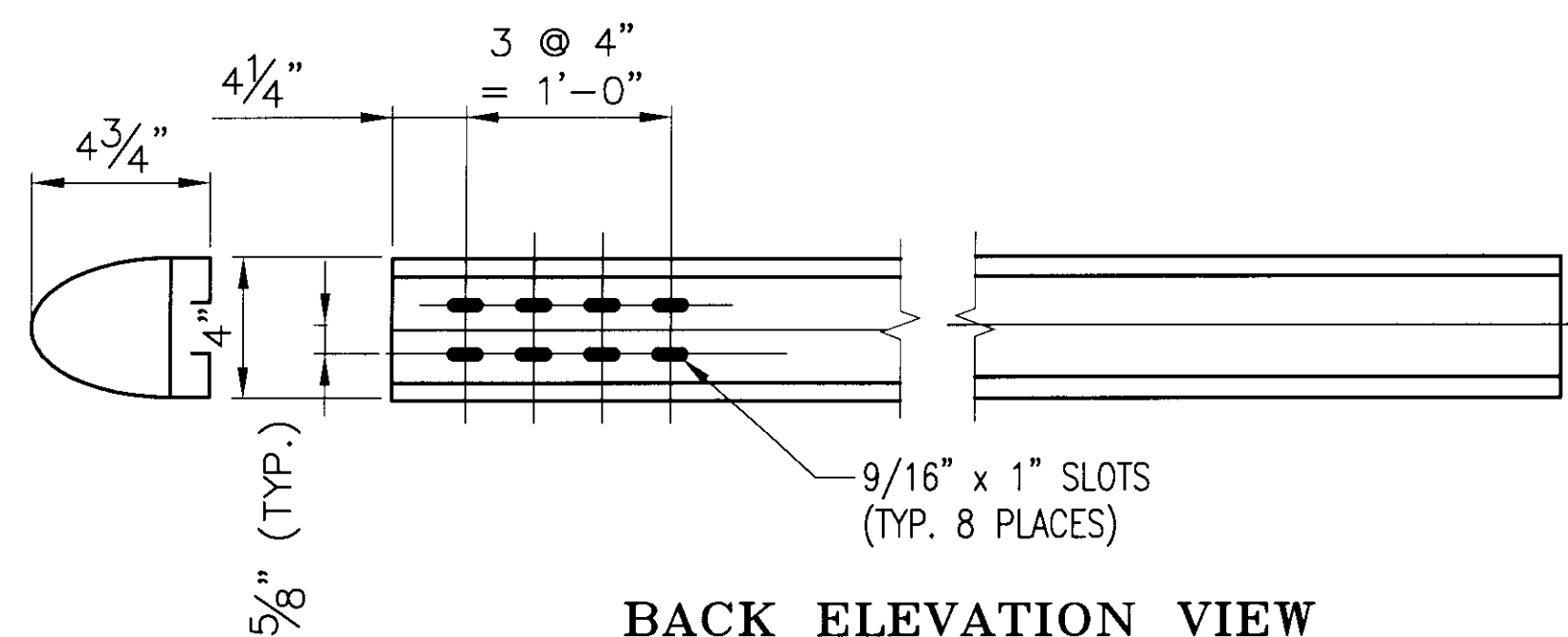


BACK ELEVATION VIEW

ONE REQ'D - BARRIER RAIL 'MR4'
(BACK ELEVATION VIEW)

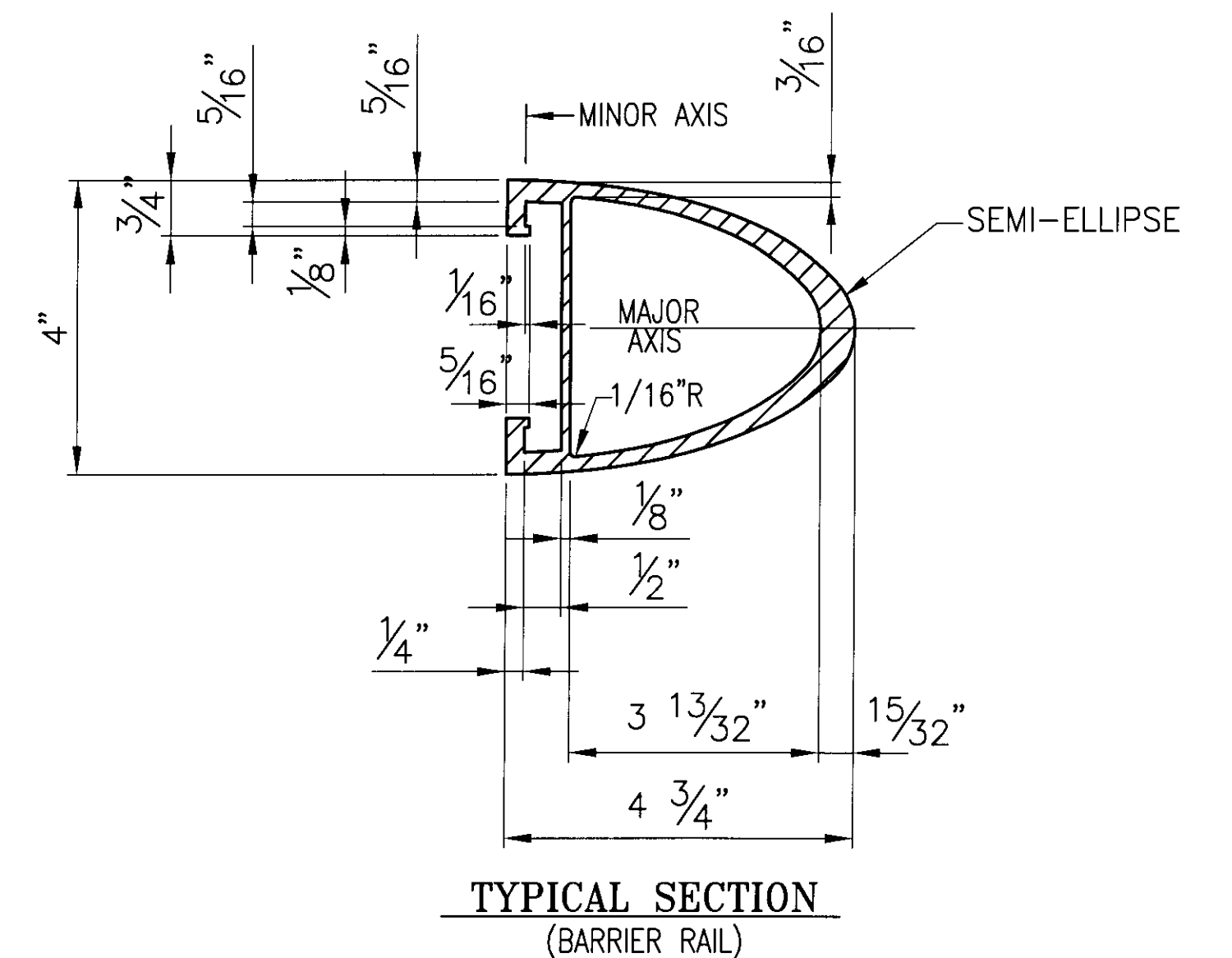


PLAN VIEW



BACK ELEVATION VIEW

ONE REQ'D - BARRIER RAIL 'BR4'
(BACK ELEVATION VIEW)



TYPICAL SECTION
(BARRIER RAIL)

ANODIZED
(SEE NOTES ON LB1)

BRIDGE No. 5
PROJECT No. BHO 1448 (29) ITEM No: 900.640

APPROVED: _____ REC'D APPROVAL _____
DRAWING _____

L.B. FOSTER COMPANY
1016 GREENTREE ROAD
PITTSBURGH, PENNSYLVANIA 15220

FOR: F. R. LAFAYETTE, INCORPORATED
VERMONT AGENCY OF TRANSPORTATION
TOWN OF JOHNSON, COUNTY OF LAMOILLE
APPROACH RAILING FOR TH No 1 OVER THE GIHON RIVER
3L ALUMINUM APPROACH RAIL - RAIL DETAILS

REV.	DESCRIPTION	BY	DATE
1	REVISED PER APPROVAL MARKUP	CMS	01/11/10

MADE CMS DATE 10/26/09 JOB No. AR0573 CUST. No. _____
CHECK BLJ DATE 11/06/09 DRAWING LB9 REV. No. ONE