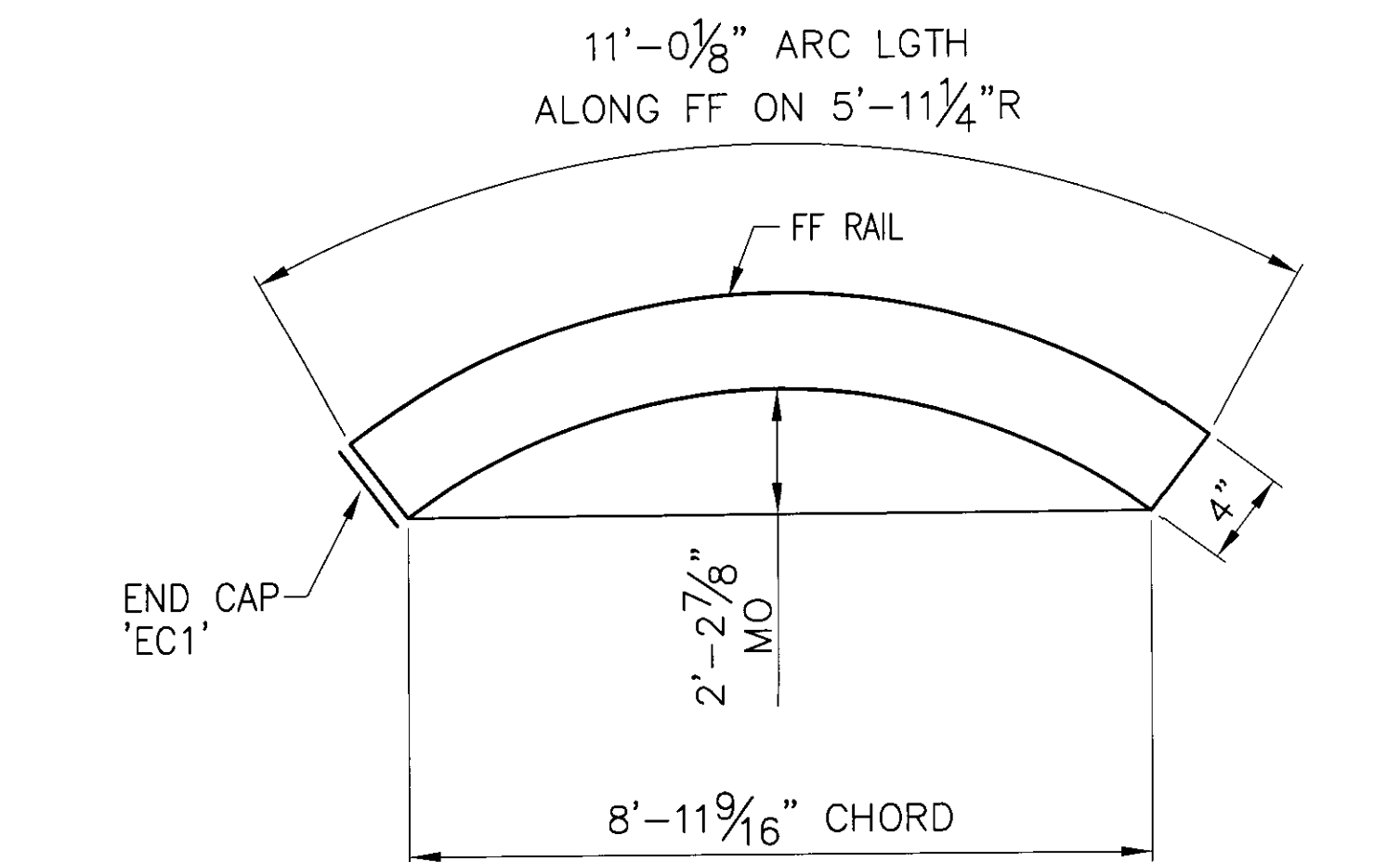
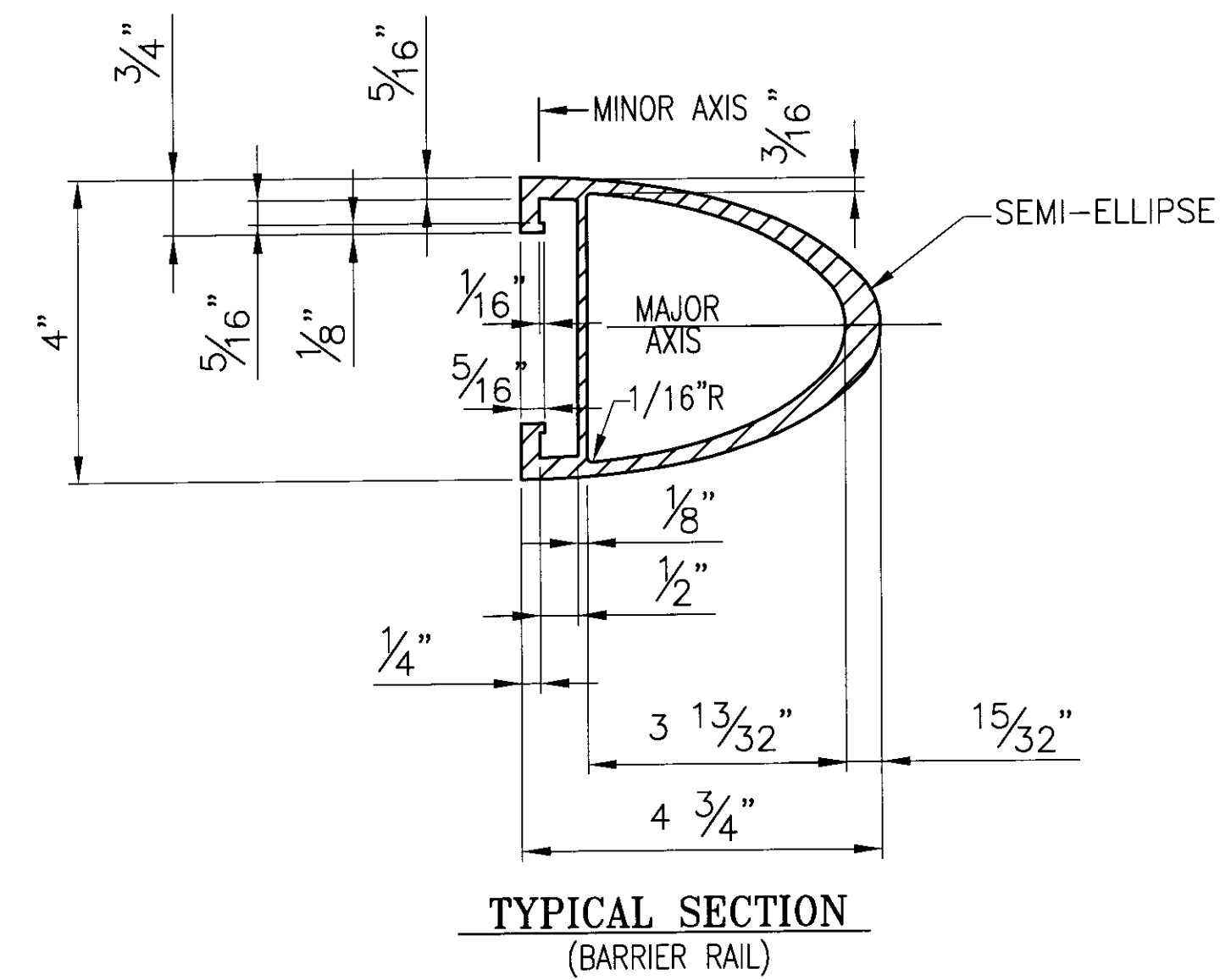


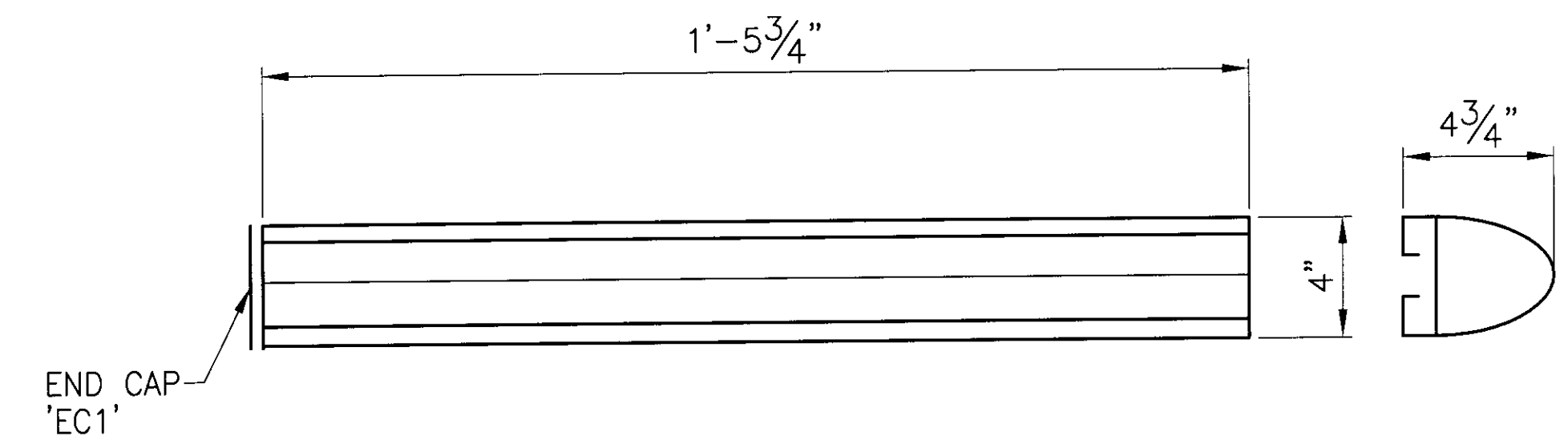
**ONE REQ'D - HANDRAIL 'TR3'**  
(BACK ELEVATION VIEW)



**ONE REQ'D - HANDRAIL 'TR4'**  
(BACK ELEVATION VIEW)

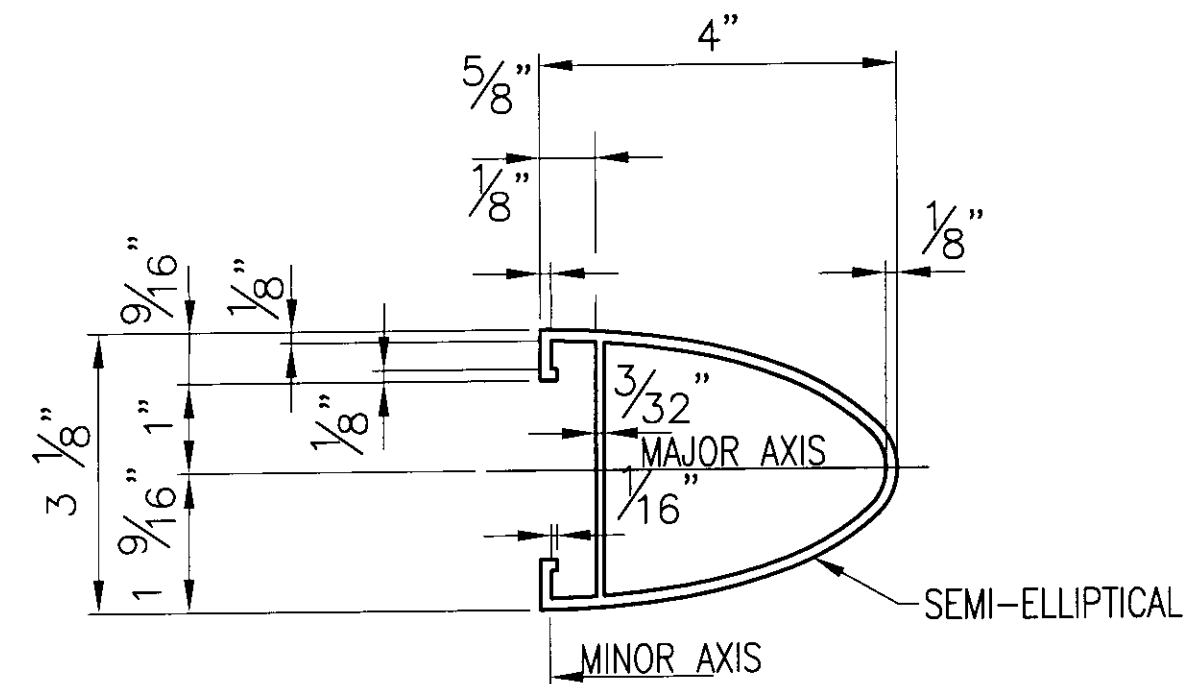


**TYPICAL SECTION**  
(BARRIER RAIL)

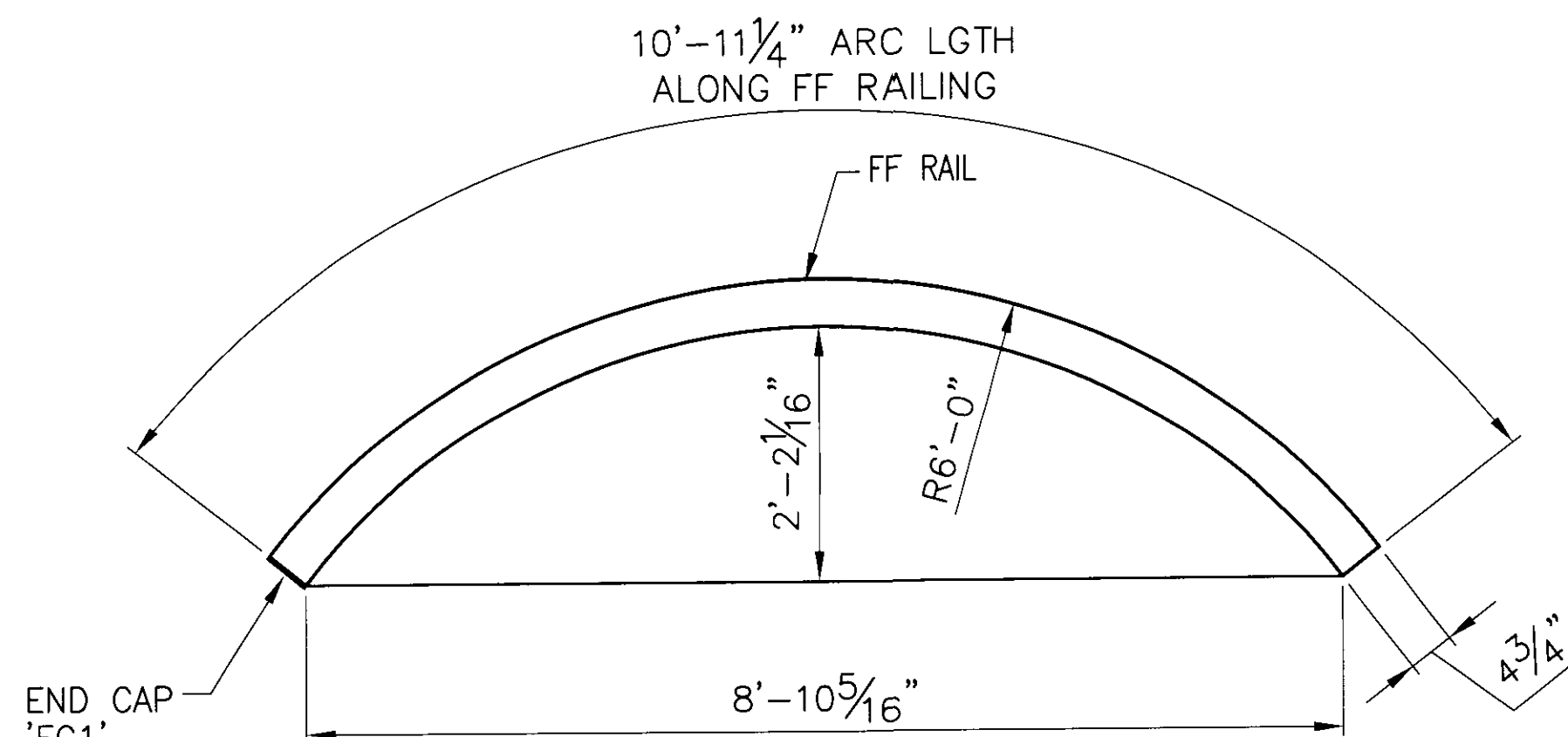


**BACK ELEVATION VIEW**

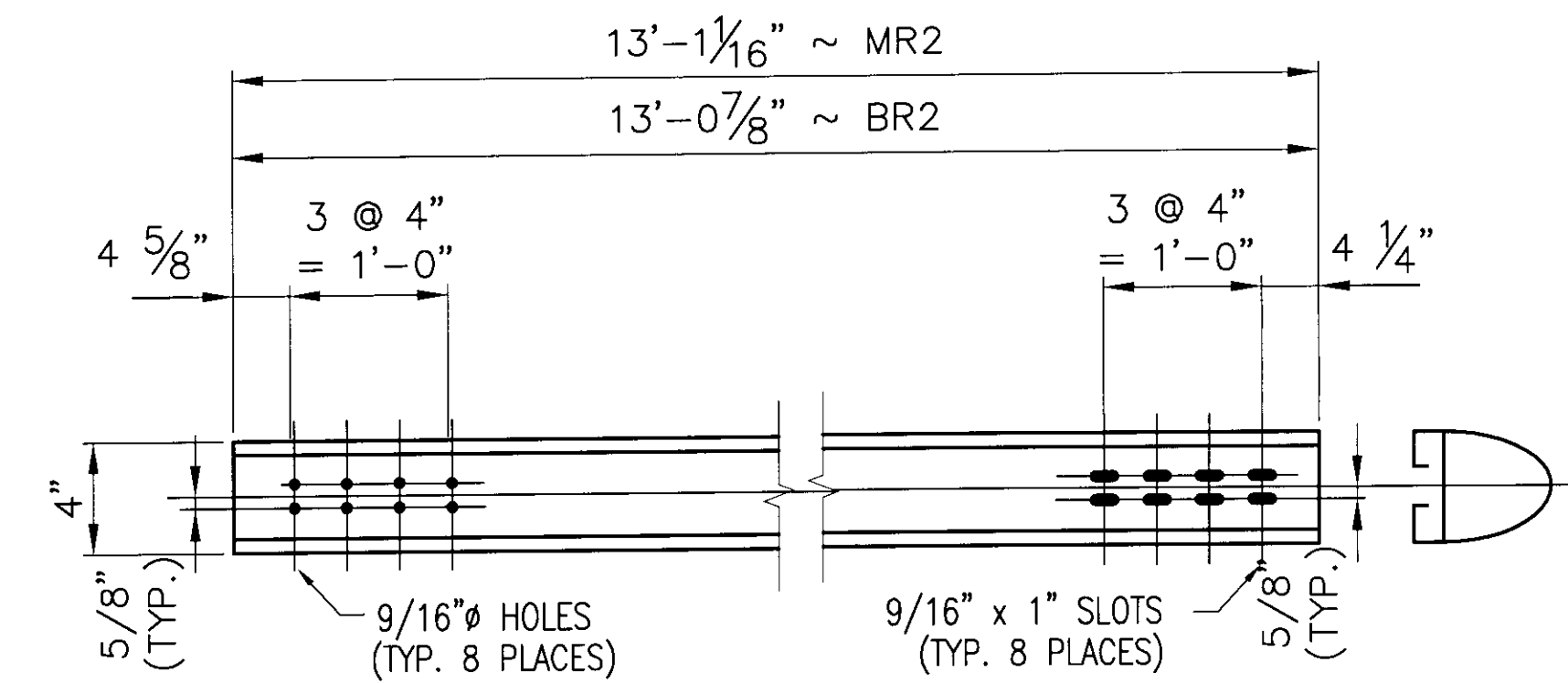
**8 REQ'D - BARRIER RAIL 'A2'**  
(BACK ELEVATION VIEW)



**TYPICAL SECTION**  
(HANDRAIL)

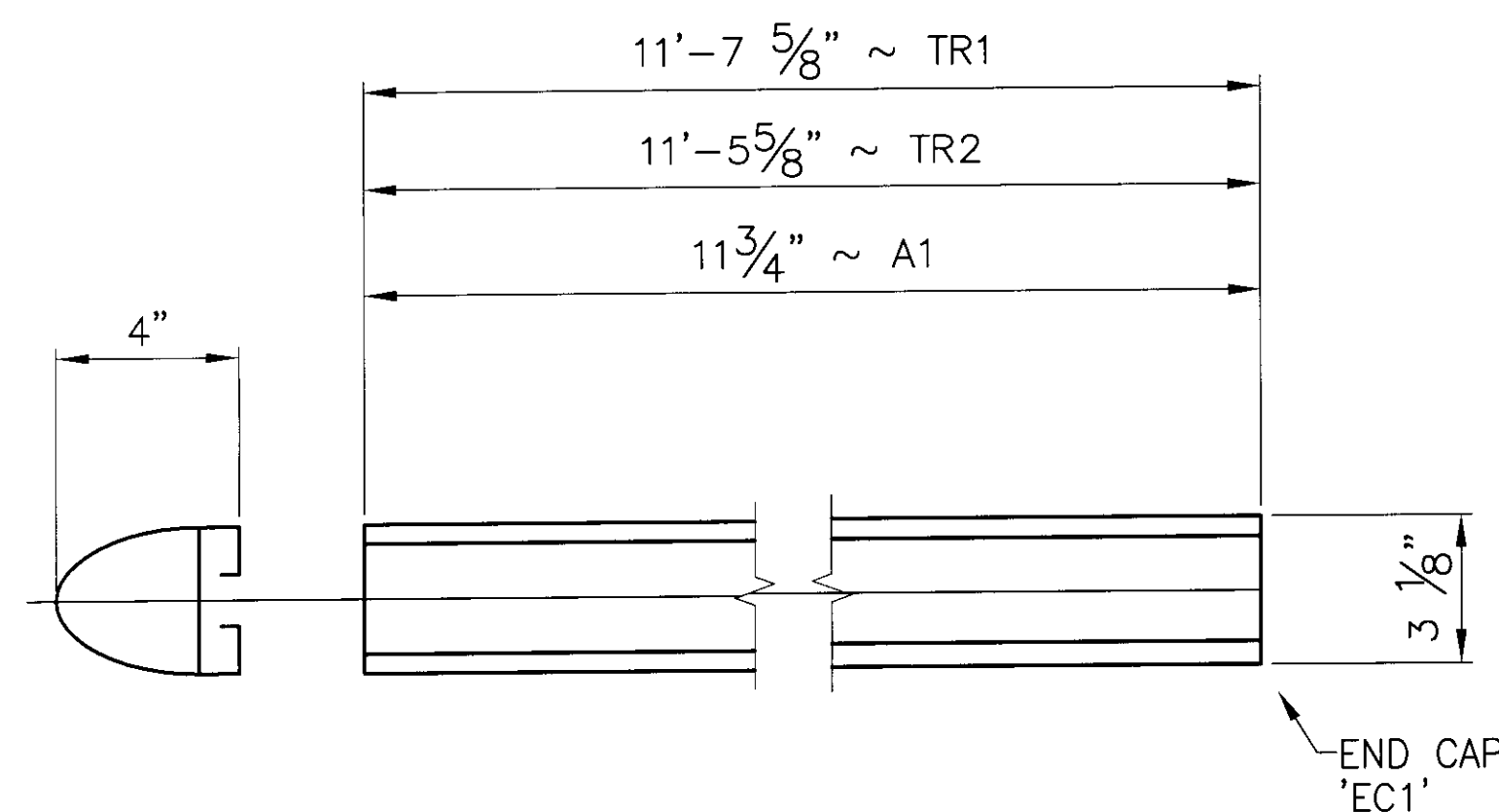


**PLAN VIEW**



**ONE REQ'D. ~ RAIL 'MR2'**  
(BACK ELEVATION VIEW)

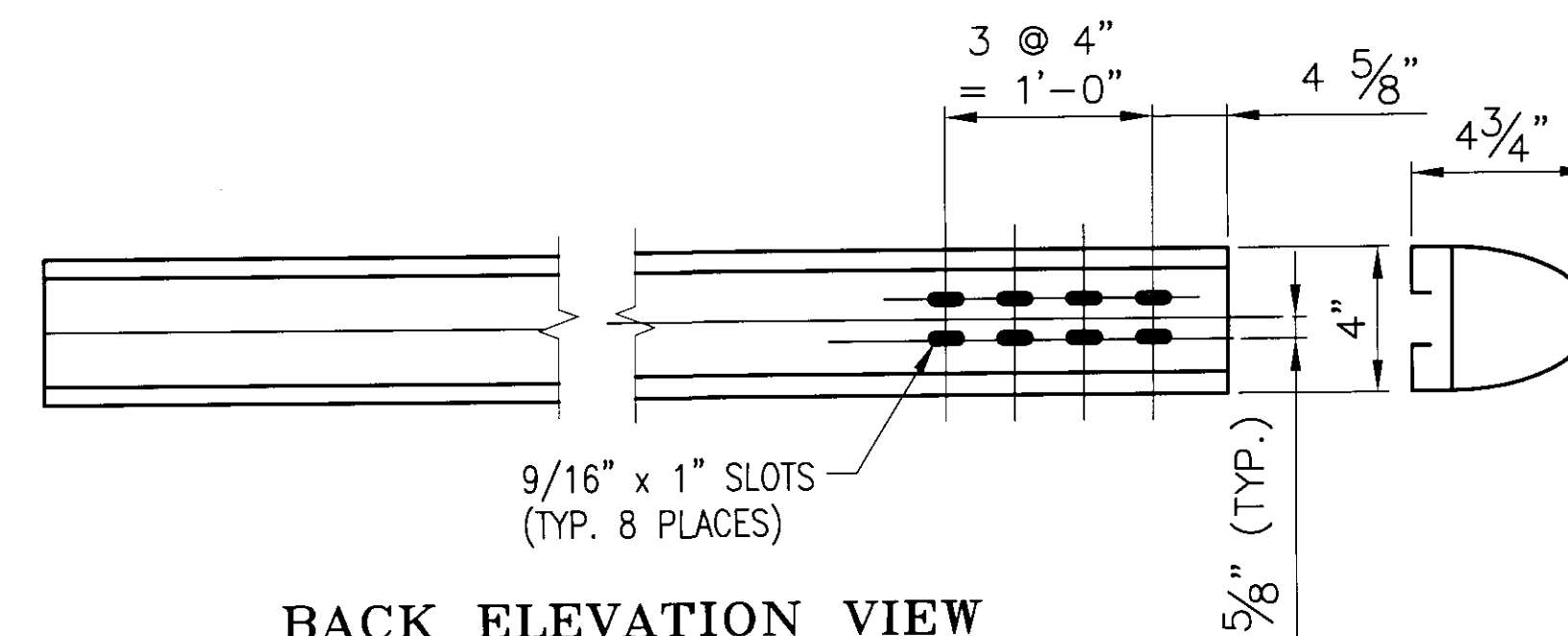
**ONE REQ'D. ~ RAIL 'BR2'**  
(BACK ELEVATION VIEW)



**ONE REQ'D - HANDRAIL 'TR1'**  
(BACK ELEVATION VIEW)

**ONE REQ'D - HANDRAIL 'TR2'**  
(BACK ELEVATION VIEW)

**4 REQ'D - HANDRAIL 'A1'**  
(BACK ELEVATION VIEW)



**BACK ELEVATION VIEW**

**ONE REQ'D - BARRIER RAIL 'MR5'**  
(BACK ELEVATION VIEW)

**ANODIZED**  
(SEE NOTES ON LB1)

BRIDGE No. 5  
PROJECT No. BHO 1448 (29) ITEM No: 900.640

APPROVED: \_\_\_\_\_ REC'D APPROVAL \_\_\_\_\_  
DRAWING \_\_\_\_\_

**L.B. FOSTER COMPANY**  
1016 GREENTREE ROAD  
PITTSBURGH, PENNSYLVANIA 15220

FOR: F. R. LAFAYETTE, INCORPORATED  
VERMONT AGENCY OF TRANSPORTATION  
TOWN OF JOHNSON, COUNTY OF LAMOILLE  
APPROACH RAILING FOR TH No 1 OVER THE GHON RIVER  
3L ALUMINUM APPROACH RAIL - RAIL DETAILS

MADE CMS DATE 10/26/09 JOB No. AR0573 CUST. No. \_\_\_\_\_  
CHECK. BLJ DATE 11/06/09 DRAWING LB8 REV. No. \_\_\_\_\_

REV.	DESCRIPTION	BY	DATE