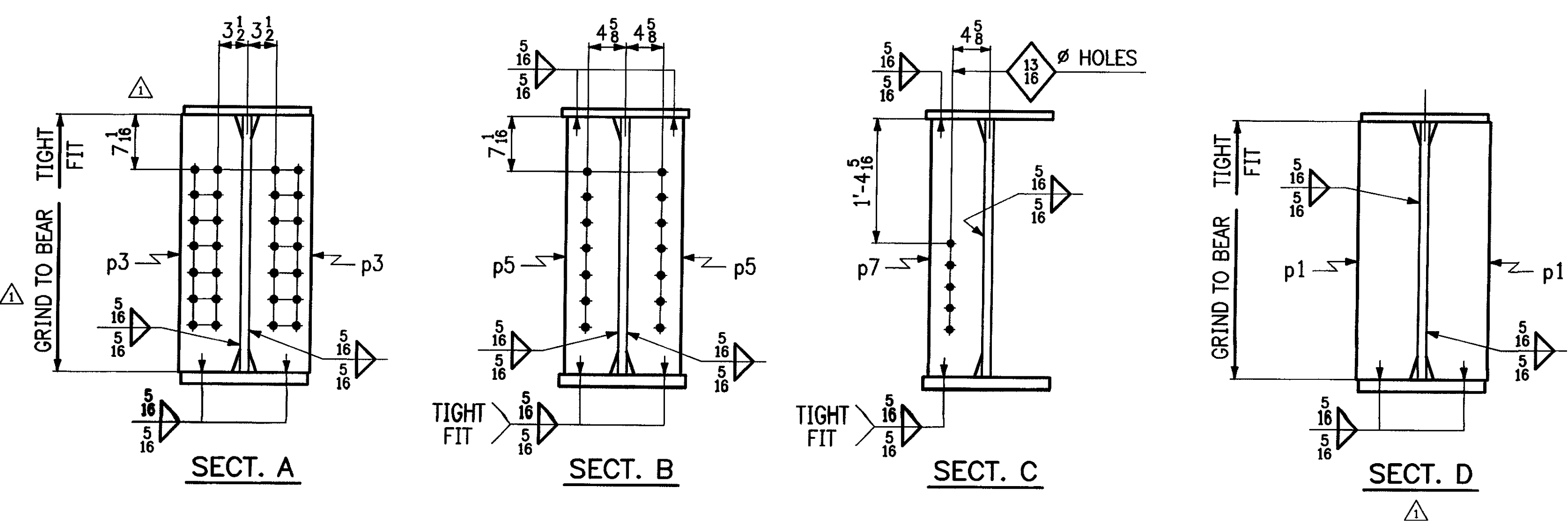


BILL OF MATERIAL							
SHIP MARK	QTY	PIECE MARK	DESCRIPTION	LENGTH		REMARKS	PAGE LINE
				FT	IN		
14G3A	1		GIRDER				
	1	WP14a	PL 5/8 x 33 1/2	55	3 1/8	(CVN)	1 1
	1	WP14b	PL 5/8 x 33 1/2	36	9 15/16	(CVN)	1 3
	1	TF14a	PL 1 x 16	54	3 1/8	(CVN)	1 5
	1	TF14b	PL 1 x 16	37	9 9/16	(CVN)	1 6
	1	BF14a	PL 1 1/2 x 16	54	2 15/16	(CVN)	1 9
	1	BF14b	PL 1 1/2 x 16	37	9 13/16	(CVN)	1 10
	2	p3	PL 1 x 8	2	9 1/2	(CVN)	1 8
	8	p5	PL 1/2 x 7	2	9 1/2	(CVN)	1 13
	2	p7	PL 1/2 x 7	2	9 1/2	(CVN)	1 13
	2	p1	PL 1 x 8	2	9 1/2	(CVN)	1 8

RECEIVED
 OK'D BY SKL OK'D BY KMM
 JUL 22 2009
 R. C. SMITH APPROVED ✓
 BY KMM DATE 7/21/09

REVISIONS			PRINT RECORD		
NO	DATE	DESCRIPTION	DATE	QTY	ISSUED
7-14-09		ADDED BRG STIFFS @ ABUT, ADDED SECT D, REMOVED WELD & REV TO GRIND TO BEAR IN SECT A		Sp	Appr.



- NOTES:
1. FOR GIRDER STANDARDS, SEE SHT. NO. 11.
 2. FOR CAMBER DIAGRAM, SEE SHT. NO. 3.
 3. FOR GENERAL NOTES, SEE SHT. NO. GN1.

MEGQUIER & JONES INC.
 STRUCTURAL STEEL SINCE 1895
 1156 BROADWAY
 SOUTH PORTLAND, MAINE 04106

PAINT	SSPC-SP10	HOLES U N	WELD U N	Q.C. REVIEW
PROJECT	TH NO.1 OVER THE GIRON RIVER PROJECT NO. BHO 1448 (29) BRIDGE NO. 5 TOWN OF JOHNSON, VERMONT			DATE 6-8-09
DESCRIPTION	GIRDER ~ 14G3A			DRAWN BY RLK
ARCH	N/A	ENGR	VERMONT AGENCY OF TRANSPORTATION	CHK'D BY GDC
CUSTOMER	S.D. IRELAND CONCRETE CONSTRUCTION CORP.			JOB NO J-81
				SHT NO 14