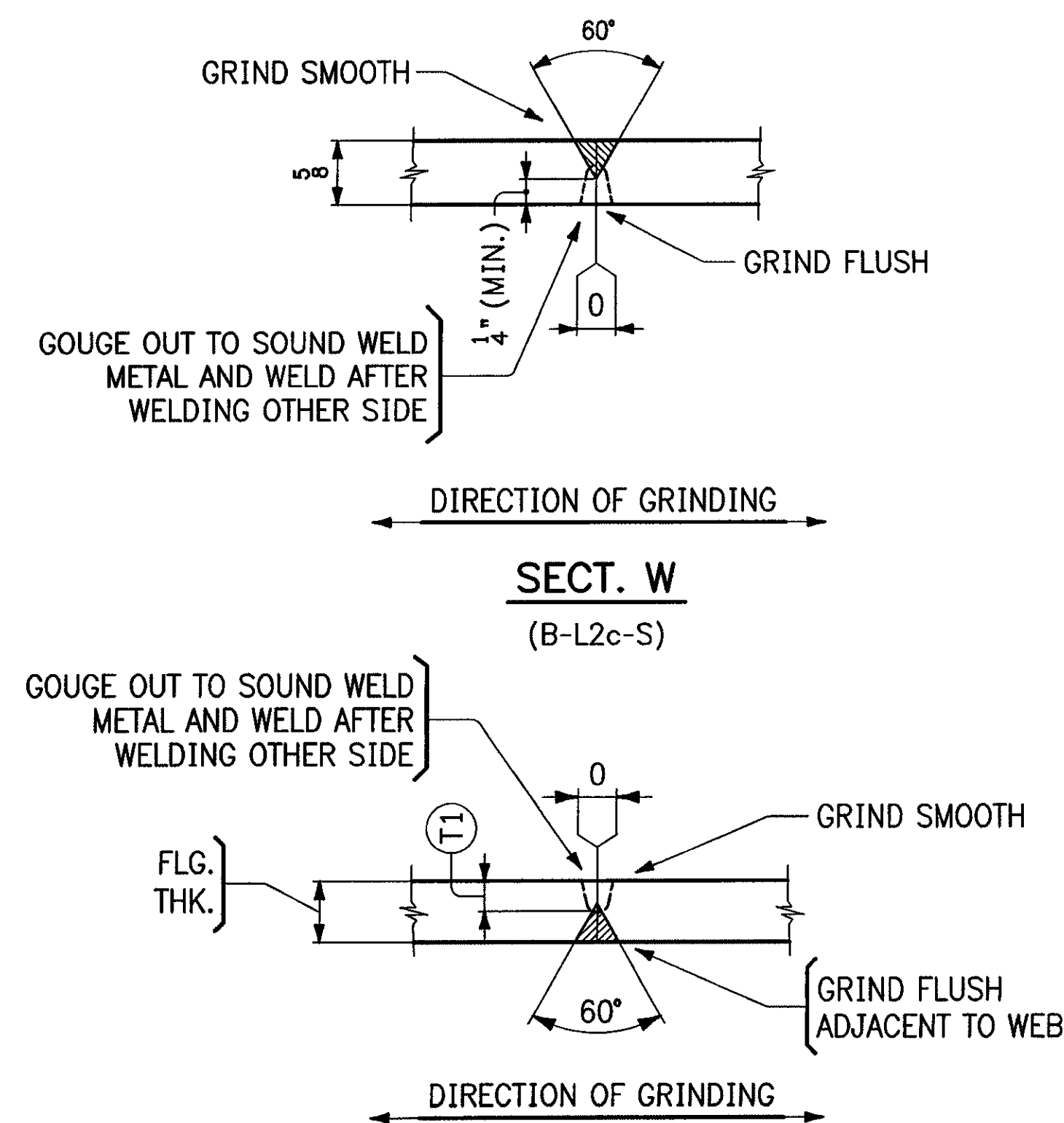


WEB CUTTING DIAGRAM FOR 16G5A



TYPICAL FLANGE PLATE SPLICE

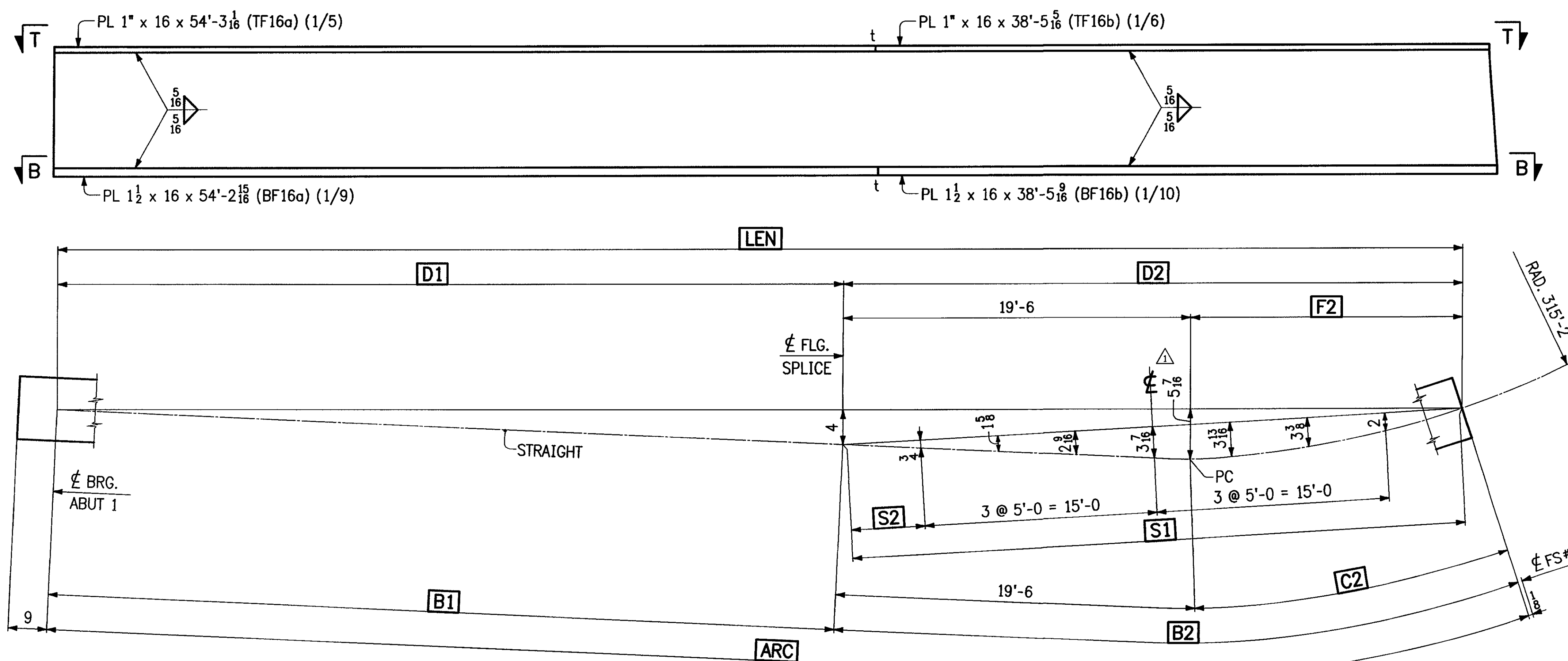
(B-L2c-S)

FLG. THK.	(T1)
1"	5/16
1/2	1/2

NOTES:

- FOR GENERAL NOTES, SEE DWG. GN1.
- THE LETTER "T" AT FLANGE SPLICES INDICATES SPLICES IN TENSION.
- ALL MATERIAL SHALL BE M270-50W (CVN).
- ALL FLANGE SPLICES ARE TO BE RADIOGRAPHICALLY TESTED 100%.

RECEIVED
 OK'D BY JEL OK'D BY KMH
 JUL 20 2003
 R. C. Smith APPROVED BY KMH DATE 7/21/09



LOCATION	ARC	LEN	B1	B2	C2	D1	D2	F2	S1	S2
VIEW T-T	91'-11 3/8	91'-11 1/4	53'-6 1/8	38'-5 5/16	18'-11 5/16	53'-6	38'-5 1/4	18'-11 1/4	38'-5 1/4	4'-2 3/8
SECT. B-B	91'-11 1/2	91'-11 3/8	53'-5 15/16	38'-5 9/16	18'-11 9/16	53'-5 7/8	38'-5 1/2	18'-11 1/2	38'-5 1/2	4'-2 3/4

REVISIONS			PRINT RECORD		
NO	DATE	DESCRIPTION	DATE	QTY	ISSUED
			7-16	5p	Appr.
7-14-09		REVISED HORIZONTAL CURVING DIAGRAM.			

MEGQUIER & JONES INC.

STRUCTURAL STEEL SINCE 1895
 1156 BROADWAY
 SOUTH PORTLAND, MAINE 04106

PAIN	HOLES U N	WELD U N	Q C REVIEW
PROJECT	TH NO. 1 OVER THE GIRON RIVER PROJECT NO. BHO 1448 (29) BRIDGE NO. 5 TOWN OF JOHNSON, VERMONT		DATE 6-4-09
DESCRIPTION	CAMBER DIAGRAMS		DRAWN BY R.L.K. 5-22-09
ARCH	N/A	ENGR VERMONT AGENCY OF TRANSPORTATION	CHK'D BY GDC
CUSTOMER	S.D. IRELAND CONCRETE CONSTRUCTION CORP.		JOB NO J-81
			SHT NO 5