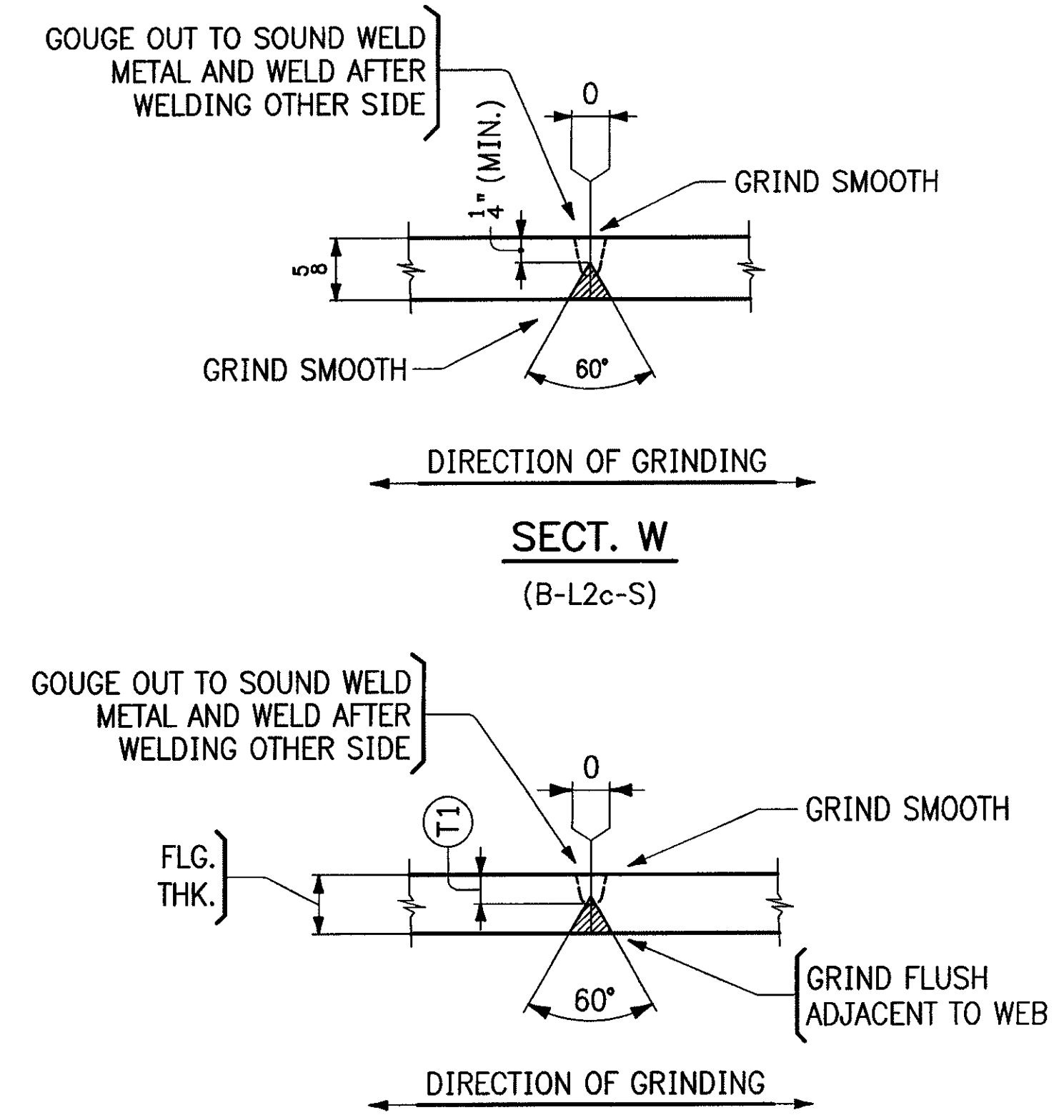


WEB CUTTING DIAGRAM FOR 15G4A



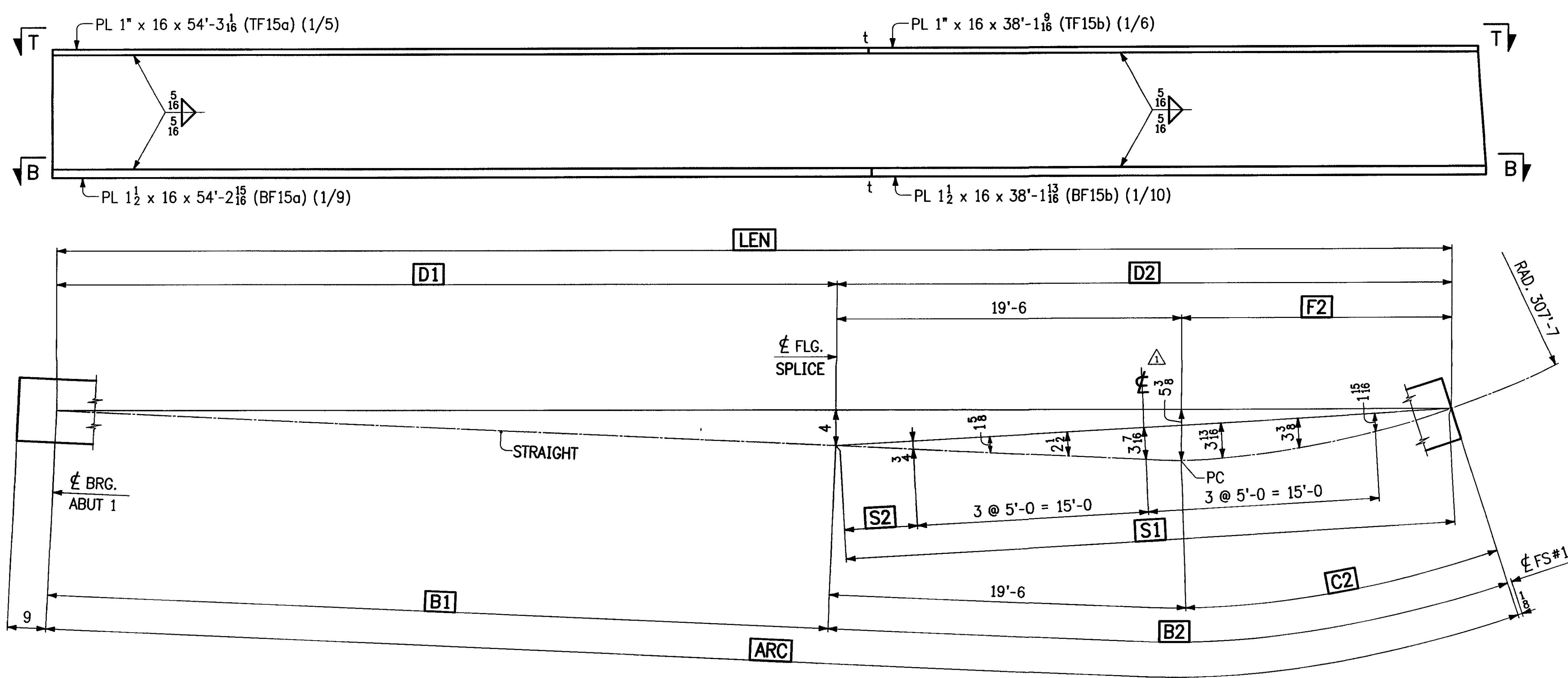
TYPICAL FLANGE PLATE SPLICE (B-L2c-S)

FLG. THK.	(T)
1"	5/16
1 1/2"	1/2

NOTES:

- FOR GENERAL NOTES, SEE DWG. GN1.
- THE LETTER "t" AT FLANGE SPLICES INDICATES SPLICES IN TENSION.
- ALL MATERIAL SHALL BE M270-50W (CVN).
- ALL FLANGE SPLICES ARE TO BE RADIOGRAPHICALLY TESTED 100%.

RECEIVED
 OK'D BY JEL OK'D BY kmh
 JUL 20 2008
 APPROVED BY kmh DATE 7/21/08



LOCATION	ARC	LEN	B1	B2	C2	D1	D2	F2	S1	S2
VIEW T-T	91'-7 3/8	91'-7 1/2	53'-6 1/16	38'-1 9/16	18'-7 9/16	53'-6	38'-1 1/2	18'-7 1/2	38'-1 1/2	4'-0 3/4
SECT. B-B	91'-7 3/4	91'-7 5/8	53'-5 15/16	38'-1 13/16	18'-7 13/16	53'-5 7/8	38'-1 1/4	18'-7 3/4	38'-1 1/4	4'-0 7/8

REVISIONS		PRINT RECORD			
NO	DATE	DESCRIPTION	DATE	QTY	ISSUED
			7-16	5P	Appa.
7-14-09		REVISED HORIZONTAL CURVING DIAGRAM.			

MEGQUIER & JONES INC.
 STRUCTURAL STEEL SINCE 1895
 1156 BROADWAY
 SOUTH PORTLAND, MAINE 04106

PAINT	HOLES U N	WELD U N	Q.C REVIEW
PROJECT	TH NO.1 OVER THE GIHON RIVER PROJECT NO. BHO 1448 (29) BRIDGE NO. 5 TOWN OF JOHNSON, VERMONT		DATE 6-4-09
DESCRIPTION	CAMBER DIAGRAMS		DRAWN BY R.L.K 5-22-09
ARCH	N/A	ENGR VERMONT AGENCY OF TRANSPORTATION	CHK'D BY GDC
CUSTOMER	S.D. IRELAND CONCRETE CONSTRUCTION CORP.		JOB NO J-81
			SHT NO 4