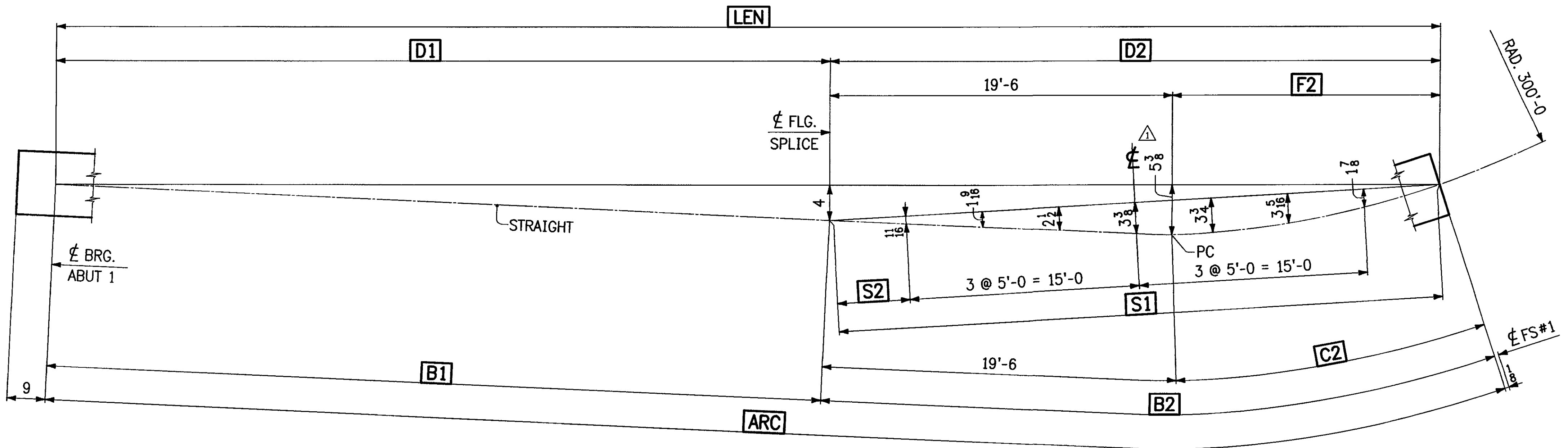


FLG. THK.	(T1)
1"	5/16
1 1/2"	1/2

NOTES:

- FOR GENERAL NOTES, SEE DWG. GN1.
- THE LETTER "t" AT FLANGE SPLICES INDICATES SPLICES IN TENSION.
- ALL MATERIAL SHALL BE M270-50W (CVN).
- ALL FLANGE SPLICES ARE TO BE RADIOGRAPHICALLY TESTED 100%.

RECEIVED  
 OK'D BY JEL OK'D BY kmh  
 JUL 20 2009  
 APPROVED BY kmh DATE 7/21/09



REVISIONS			PRINT RECORD		
NO	DATE	DESCRIPTION	DATE	QTY	ISSUED
7-14-09		REVISED HORIZONTAL CURVING DIAGRAM.	7-16	5p	Appr.

**MEGQUIER & JONES INC.**  
 STRUCTURAL STEEL SINCE 1895  
 1156 BROADWAY  
 SOUTH PORTLAND, MAINE 04106

PAINT	HOLES U N	WELD U N	Q C REVIEW
PROJECT	TH NO.1 OVER THE GIBON RIVER PROJECT NO. BHO 1448 (29) BRIDGE NO. 5 TOWN OF JOHNSON, VERMONT		DATE 6-4-09
DESCRIPTION	CAMBER DIAGRAMS		DRAWN BY EJK 5-22-09
ARCH	N/A	ENGR VERMONT AGENCY OF TRANSPORTATION	CHK'D BY GDC
CUSTOMER	S.D. IRELAND CONCRETE CONSTRUCTION CORP.		JOB NO J-81
			SHT NO 3