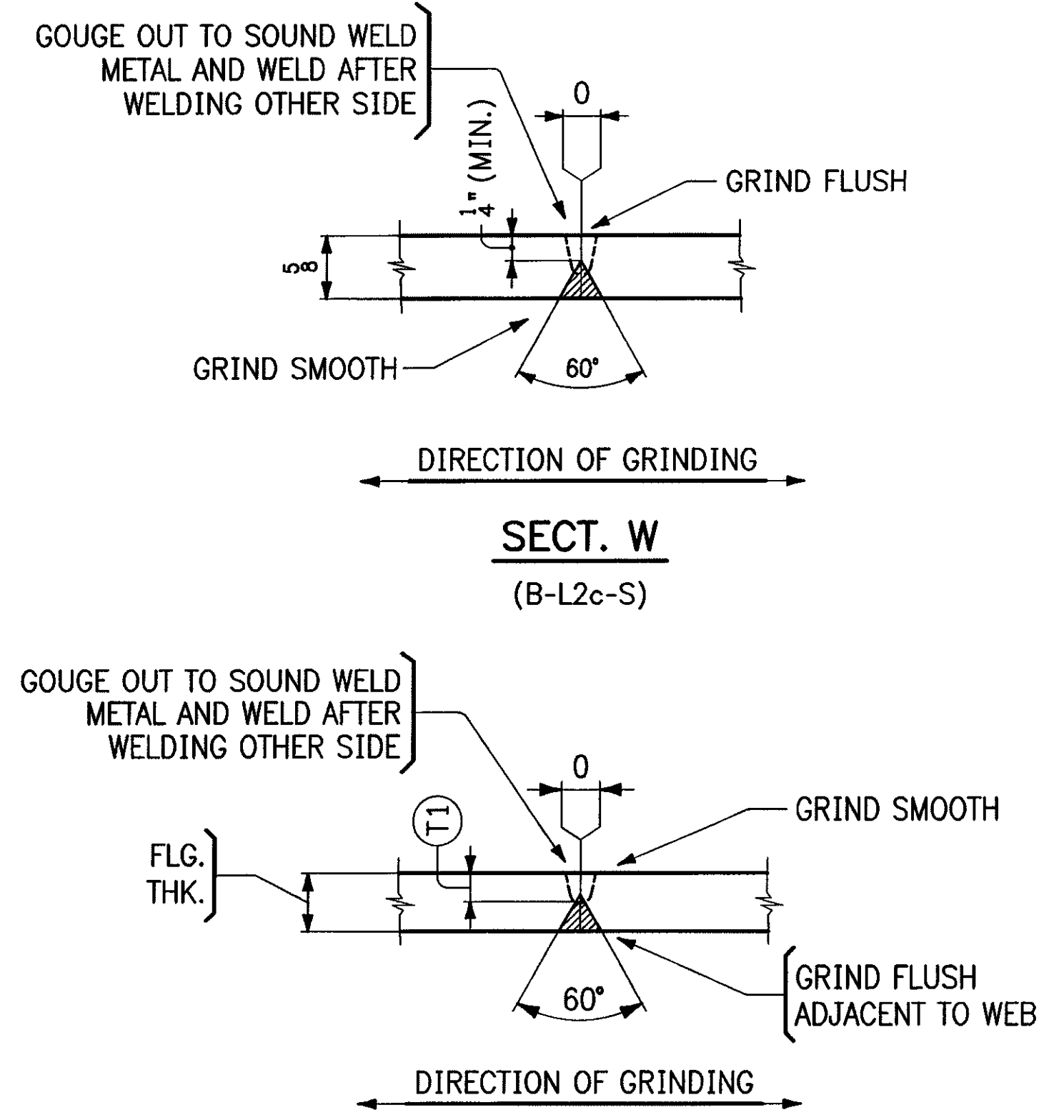


WEB CUTTING DIAGRAM FOR 12G1A



TYPICAL FLANGE PLATE SPLICE

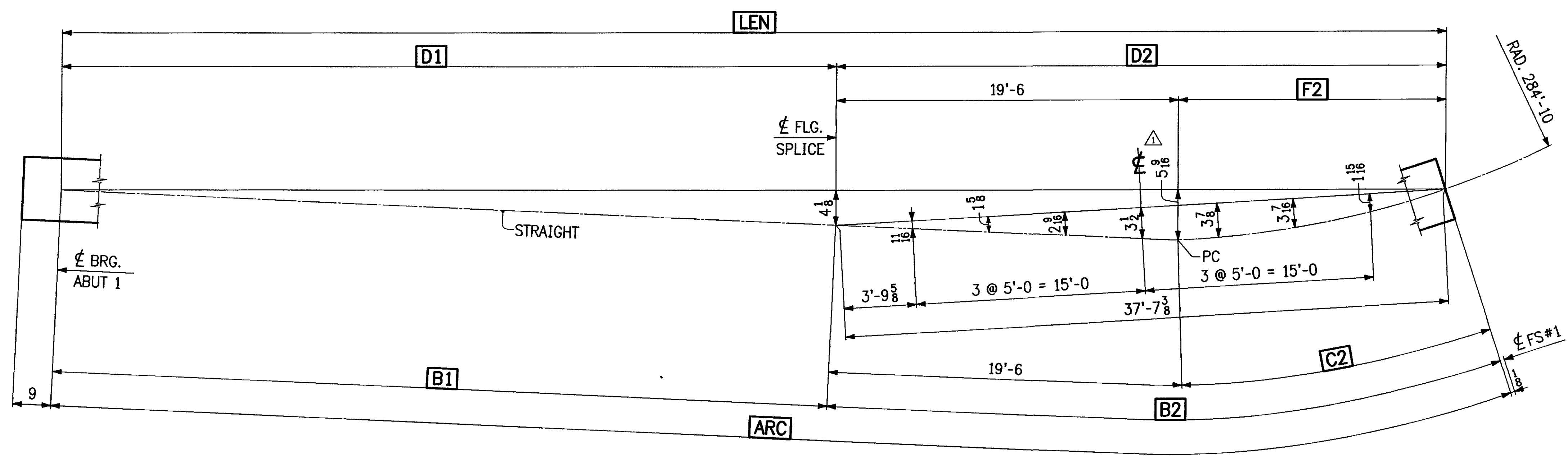
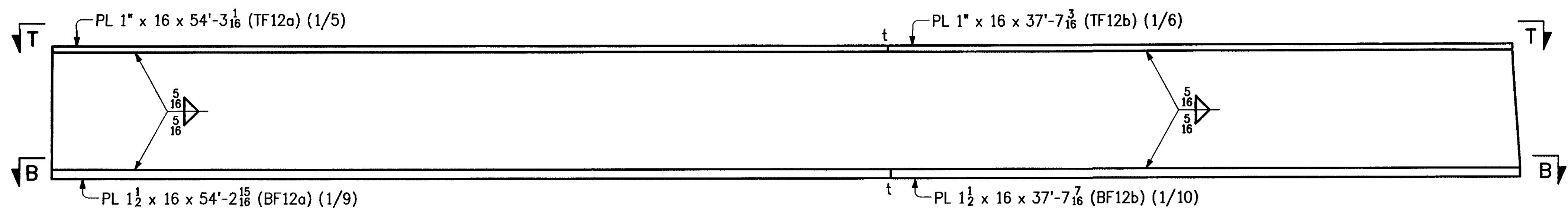
(B-L2c-S)

FLG. THK.	(T1)
1"	5/16
1/2	1/2

NOTES:

- FOR GENERAL NOTES, SEE DWG. GN1.
- THE LETTER "L" AT FLANGE SPLICES INDICATES SPLICES IN TENSION.
- ALL MATERIAL SHALL BE M270-50W (CVN).
- ALL FLANGE SPLICES ARE TO BE RADIOGRAPHICALLY TESTED 100%.

RECEIVED
 OK'D BY JEL OK'D BY LHM
 JUL 23 2009
 R.C. LHM APPROVED ✓
 BY LHM DATE 7/21/09



LOCATION	ARC	LEN	B1	B2	C2	D1	D2	F2
VIEW T-T	91'-1 1/4	91'-1 1/8	53'-6 1/16	37'-7 3/16	18'-1 3/16	53'-6	37'-7 1/8	18'-1 1/8
SECT. B-B	91'-1 3/8	91'-1 1/4	53'-5 15/16	37'-7 7/16	18'-1 1/16	53'-5 7/8	37'-7 3/8	18'-1 3/8

REVISIONS		PRINT RECORD			
NO	DATE	DESCRIPTION	DATE	QTY	ISSUED
			7-16	5P	APP.
7-14-09		REVISED HORIZONTAL CURVING DIAGRAM.			

MEGQUIER & JONES INC.
 STRUCTURAL STEEL SINCE 1895
 1156 BROADWAY
 SOUTH PORTLAND, MAINE 04106

PAIN	HOLES U N	WELD U N	QC REVIEW
PROJECT	TH NO. 1 OVER THE GIHON RIVER PROJECT NO. BHO 1448 (29) BRIDGE NO. 5 TOWN OF JOHNSON, VERMONT		DATE 6-4-09
DESCRIPTION	CAMBER DIAGRAMS		CHK'D BY GJC
ARCH	N/A	ENGR VERMONT AGENCY OF TRANSPORTATION	JOB NO J-81
CUSTOMER	S.D. IRELAND CONCRETE CONSTRUCTION CORP.		SHT NO 1