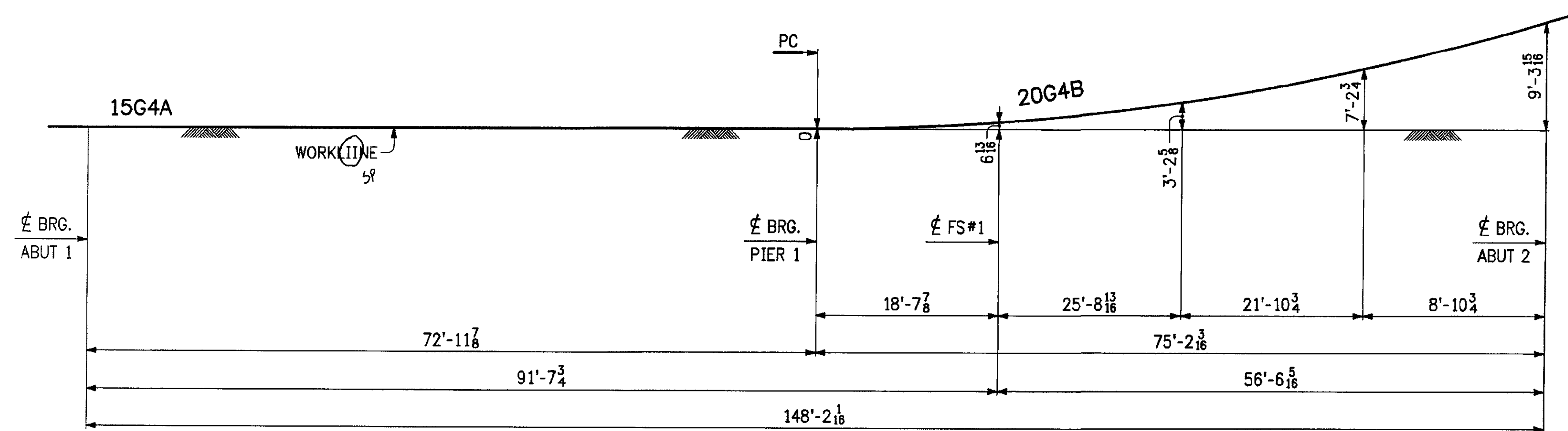


BLOCKING DIAGRAM ~ LINE 4



HORIZONTAL SWEEP DIAGRAM ~ LINE 4

Accepted	
Accepted as Noted	✓
Accepted Noted Resubmit	
Rejected, Revise Resubmit	
Rejected - Unacceptable	

Checking is only for conformance with the design concept of the Project and compliance with the information given in the Contract Documents. The Engineer assumes no liability for errors or omissions that may be contained herein. The Contractor, by approving and submitting these documents, verifies their accuracy, as stipulated on the Contractor's Shop Drawing Stamp.

DATE 7/7/09 BY *[Signature]*

NOTES:

1. LONGITUDINAL DIMS FOR BLOCKING DIAGRAMS ARE ALONG ϕ GDR AT BOTTOM OF BOTTOM FLG.
2. BLOCKING DIMS. ARE GIVEN TO THE BOTTOM OF THE THICKER FLG. AT FIELD SPLICES.
3. FIELD SPLICE PLATES SHALL BE MATCH-MARKED AFTER REAMING AND PRIOR TO DISASSEMBLY.
4. FOR GENERAL NOTES, SEE DWG. GN1.

RECEIVED
 OK'D BY *JFL* OK'D BY *KMH*
 JUN 18 2009
 APPROVED *[Signature]*
 BY *KMH* DATE 7/13/09

REVISIONS		PRINT RECORD			
NO	DATE	DESCRIPTION	DATE	QTY	ISSUED
			6-15	E	APP

MEGQUIER & JONES INC.
 STRUCTURAL STEEL SINCE 1895
 1156 BROADWAY
 SOUTH PORTLAND, MAINE 04106

PAINT	HOLES U/N	WELD U/N	G.C. REVIEW
PROJECT	TH NO 1 OVER THE GIRON RIVER PROJECT NO. BHO 1448 (29) BRIDGE NO. 5 TOWN OF JOHNSON, VERMONT		DATE 6-8-09
DESCRIPTION	BLOCKING DIAGRAMS ~ LINE 4		DRAWN BY 5-22-09
ARCH: N/A	ENGR: VERMONT AGENCY OF TRANSPORTATION	CHK'D BY GDC	
CUSTOMER: S.D. IRELAND CONCRETE CONSTRUCTION CORP			JOB NO J-81
			SHT NO BD4