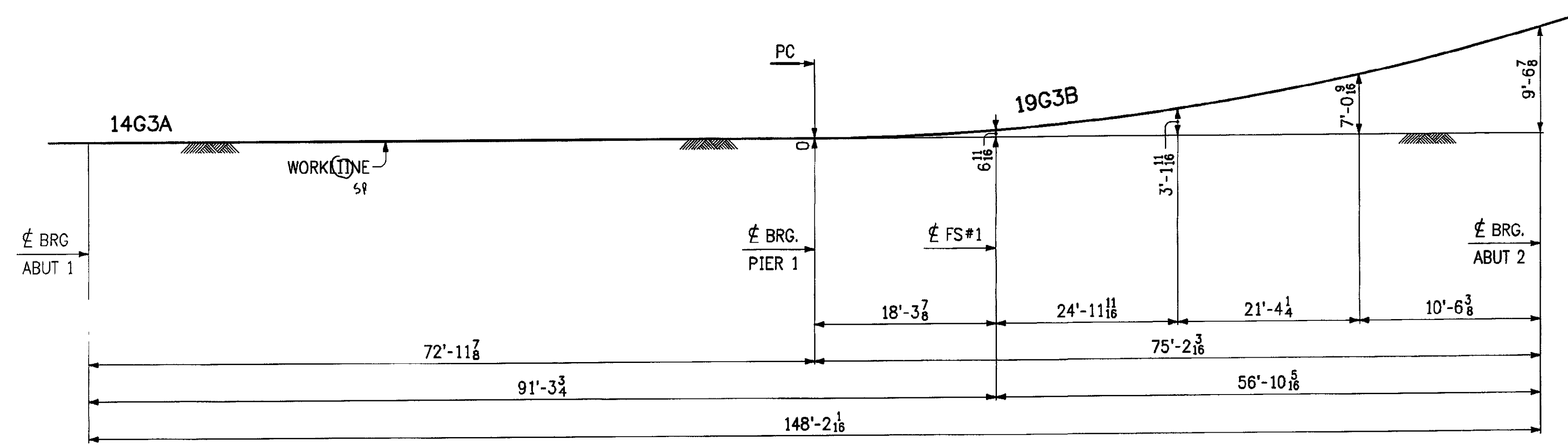


**BLOCKING DIAGRAM ~ LINE 3**



**HORIZONTAL SWEEP DIAGRAM ~ LINE 3**

Accepted	
Accepted as Noted	✓
Accepted Noted Resubmit	
Rejected, Revise Resubmit	
Rejected - Unacceptable	

Checking is only for conformance with the design concept of the Project and compliance with the information given in the Contract Documents. The Engineer assumes no liability for errors or omissions that may be contained herein. The Contractor, by approving and submitting these documents, verifies their accuracy as stipulated on the Contractor's Shop Drawing. Same.

DATE 7/7/09 BY *[Signature]*

**NOTES:**

1. LONGITUDINAL DIMS FOR BLOCKING DIAGRAMS ARE ALONG  $\phi$  GDR AT BOTTOM OF BOTTOM FLG.
2. BLOCKING DIMS. ARE GIVEN TO THE BOTTOM OF THE THICKER FLG. AT FIELD SPLICES.
3. FIELD SPICE PLATES SHALL BE MATCH-MARKED AFTER REAMING AND PRIOR TO DISASSEMBLY
4. FOR GENERAL NOTES, SEE DWG. GN1

**RECEIVED**  
 OK'D BY *[Signature]* OK'D BY *[Signature]*  
 JUN 18 2009  
 APPROVED ✓  
 BY *[Signature]* DATE 7/13/09

REVISIONS		PRINT RECORD			
NO	DATE	DESCRIPTION	DATE	QTY	ISSUED
			6-15	E	Appa

<b>MEGQUIER &amp; JONES INC.</b> STRUCTURAL STEEL SINCE 1895 1156 BROADWAY SOUTH PORTLAND, MAINE 04106			
PAIN	HOLES U N	WELD U N	Q C REVIEW
PROJECT	TH NO.1 OVER THE GIRON RIVER PROJECT NO. BHO 1448 (29) BRIDGE NO 5 TOWN OF JOHNSON, VERMONT		DATE 6-8-09 DRAWN BY 5-22-08
DESCRIPTION	BLOCKING DIAGRAMS ~ LINE 3		CHK'D BY TCC
ARCH.	N/A	ENGR VERMONT AGENCY OF TRANSPORTATION	JOB NO J-81
CUSTOMER	S.D. IRELAND CONCRETE CONSTRUCTION CORP		SHT NO BD3