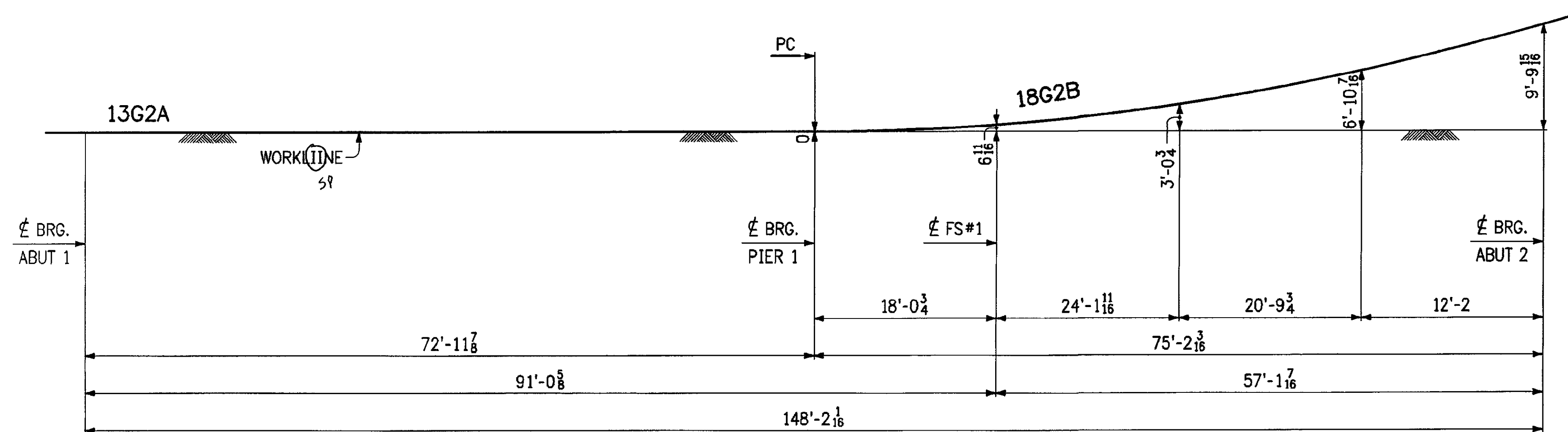


BLOCKING DIAGRAM ~ LINE 2



HORIZONTAL SWEEP DIAGRAM ~ LINE 2

Accepted	
Accepted as Noted	✓
Accepted Noted Resubmit	
Rejected, Revise Resubmit	
Rejected - Unacceptable	
Checking is only for conformance with the design concept of the Project and compliance with the information given in the Contract Documents. The Engineer assumes no liability for errors or omissions that may be contained herein. The Contractor, by approving and submitting these documents, verifies their accuracy as stipulated on the Contractor's Shop Drawing Stamp.	
Date: 7/7/09	DuBOIS AND KING Rv. <i>[Signature]</i>

NOTES:

1. LONGITUDINAL DIMS FOR BLOCKING DIAGRAMS ARE ALONG  $\bar{C}$  GDR. AT BOTTOM OF BOTTOM FLG
2. BLOCKING DIMS. ARE GIVEN TO THE BOTTOM OF THE THICKER FLG. AT FIELD SPLICES.
3. FIELD SPLICE PLATES SHALL BE MATCH-MARKED AFTER REAMING AND PRIOR TO DISASSEMBLY.
4. FOR GENERAL NOTES, SEE DWG. GN1

RECEIVED  
 OK'D BY: JFL OK'D BY: KmH  
 JUN 18 2009  
 APPROVED: ✓  
 BY: KmH DATE: 7/13/09

REVISIONS			PRINT RECORD		
NO	DATE	DESCRIPTION	DATE	QTY	ISSUED
			6-15	5	Appr
<b>MEGQUIER &amp; JONES INC.</b> STRUCTURAL STEEL SINCE 1895 1156 BROADWAY SOUTH PORTLAND, MAINE 04106					
PAINT		HOLES U N	WELD U N	Q C REVIEW	
PROJECT TH NO.1 OVER THE GIHON RIVER PROJECT NO. BHO 1448 (29) BRIDGE NO. 5 TOWN OF JOHNSON, VERMONT			DATE 6-8-09		
DESCRIPTION BLOCKING DIAGRAMS ~ LINE 2			DRAWN BY 5-22-09		
ARCH N/A		ENGR VERMONT AGENCY OF TRANSPORTATION		JOB NO J-81	
CUSTOMER S.D. IRELAND CONCRETE CONSTRUCTION CORP.			CHK'D BY CJC		
			JOB NO J-81		
			SHT NO BD2		