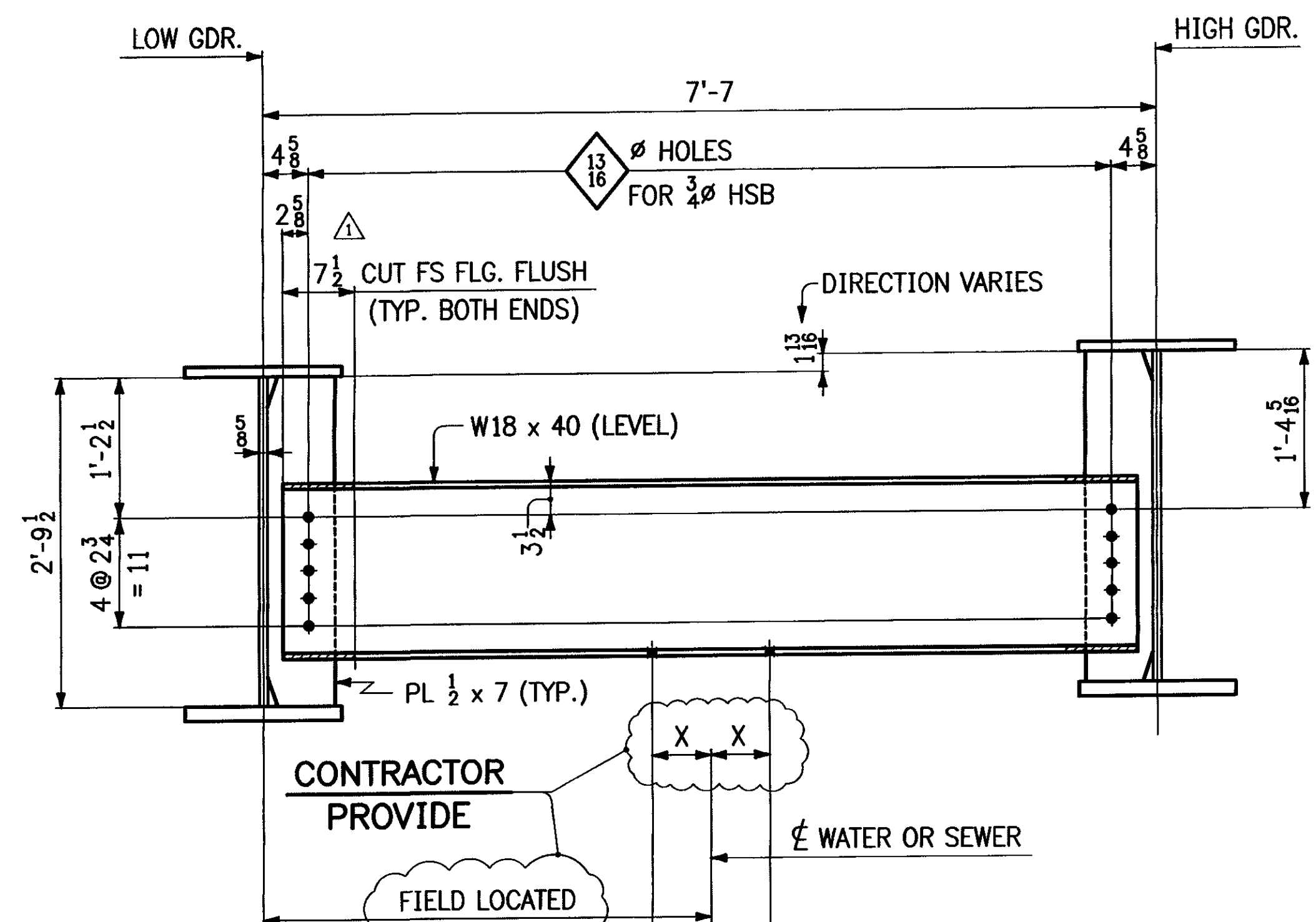
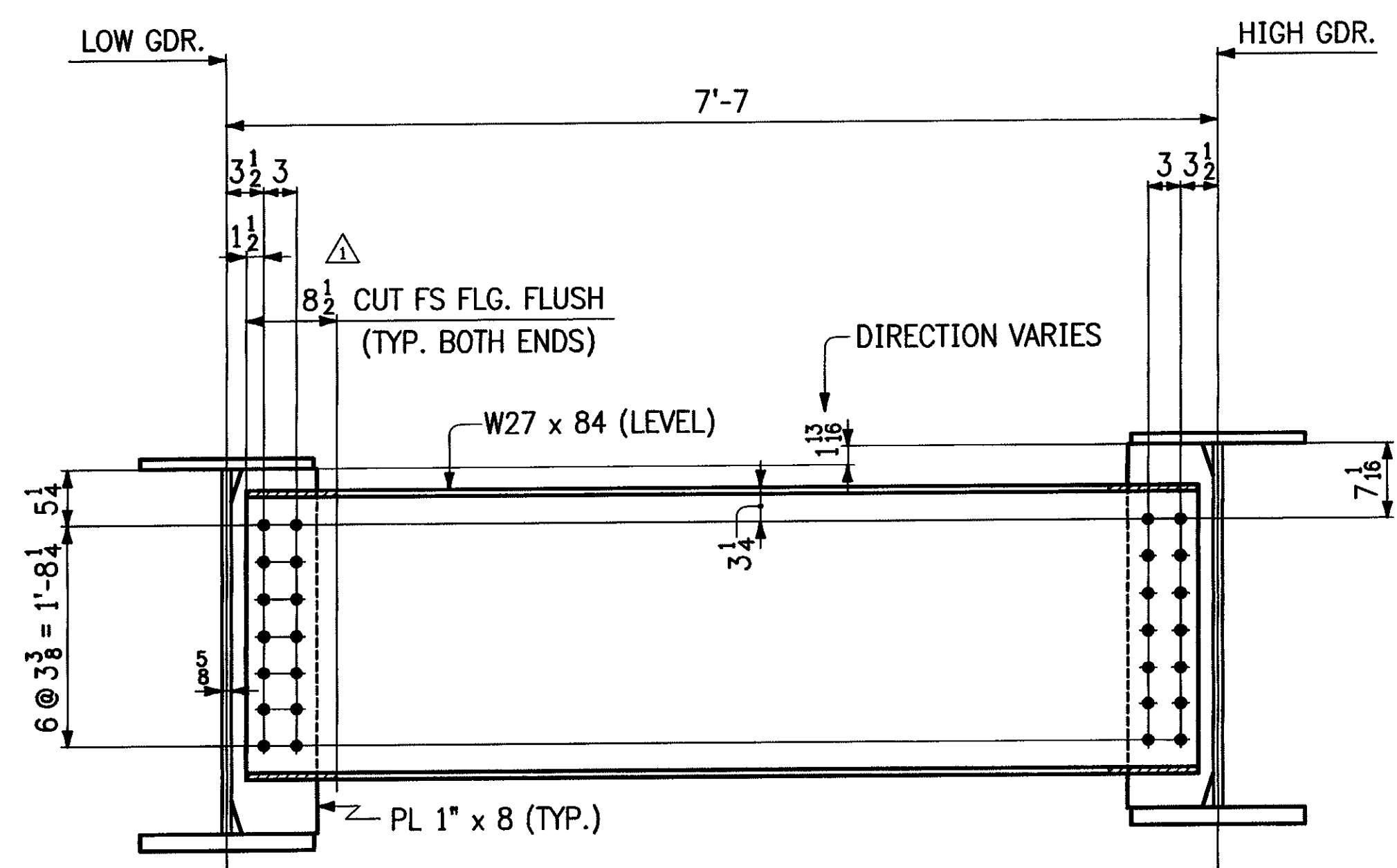


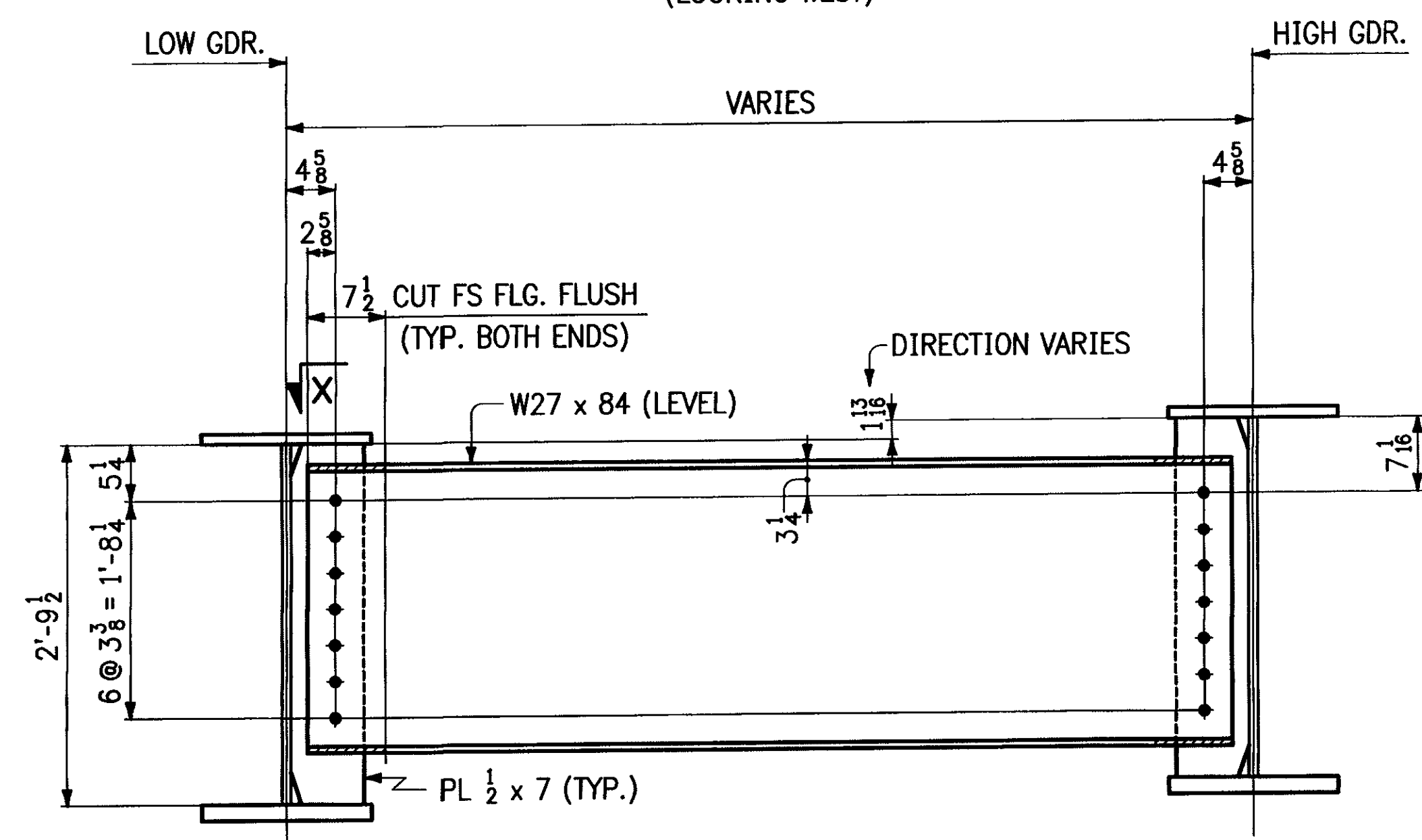
TYP. INTERMEDIATE DIAPHRAGM
(LOOKING WEST)



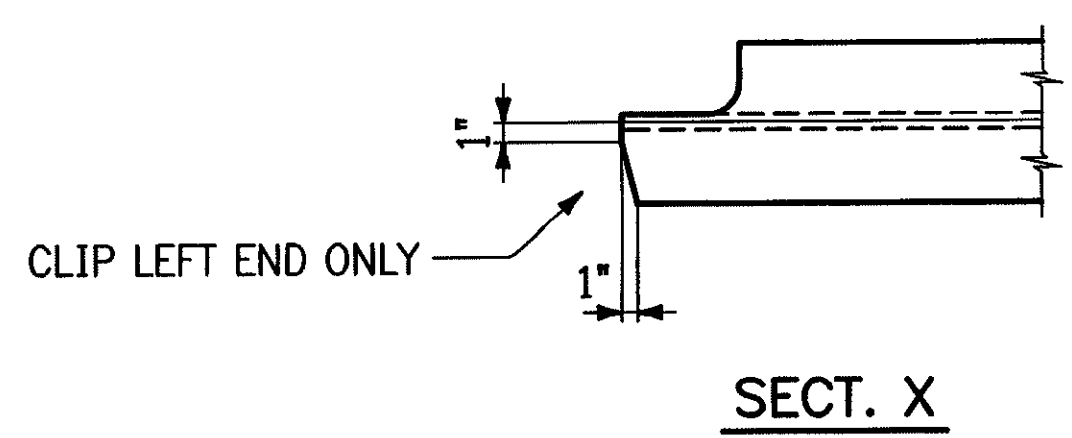
TYP. UTILITY SUPPORT
(LOOKING WEST)



TYP. PIER DIAPHRAGM
(LOOKING WEST)



DIAPHRAGM NEAR ABUT. 2
(LOOKING EAST)



SECT. X

THIS IS A WORK DRAWING. ITS FUNCTION IS TO PROVIDE BASIC DIMENSIONS AND CONCEPTS FOR USE IN THE PREPARATION OF THE SHOP DETAILS. IT IS NOT INTENDED TO BE USED FOR ERECTION OR FABRICATION.

RECEIVED
OK'D BY Kmit
JUL 20 2009
APPROVED ✓
BY Kmit DATE 7/21/09

REVISIONS		PRINT RECORD			
NO	DATE	DESCRIPTION	DATE	QTY	ISSUED
			7-16	50	Appa.
△	7-14-09	REV. "CUT FS FLG. FLUSH" DIM. & ADDED DIAPHRAGM NEAR ABUT. 2.			

MEGQUIER & JONES INC.
STRUCTURAL STEEL SINCE 1895
1156 BROADWAY
SOUTH PORTLAND, MAINE 04106

PAIN	HOLES U N 1 5/16"	WELD U N	Q C REVIEW
PROJECT	TH NO.1 OVER THE GIHON RIVER PROJECT NO. BHO 1448 (29) BRIDGE NO. 5 TOWN OF JOHNSON, VERMONT		DATE 7-14-09 DRAWN BY WCG
DESCRIPTION	LAYOUTS		CHK'D BY CX
ARCH	N/A	ENGR VERMONT AGENCY OF TRANSPORTATION	JOB NO J-81
CUSTOMER	S.D. IRELAND CONCRETE CONSTRUCTION CORP.		SHT NO TD1