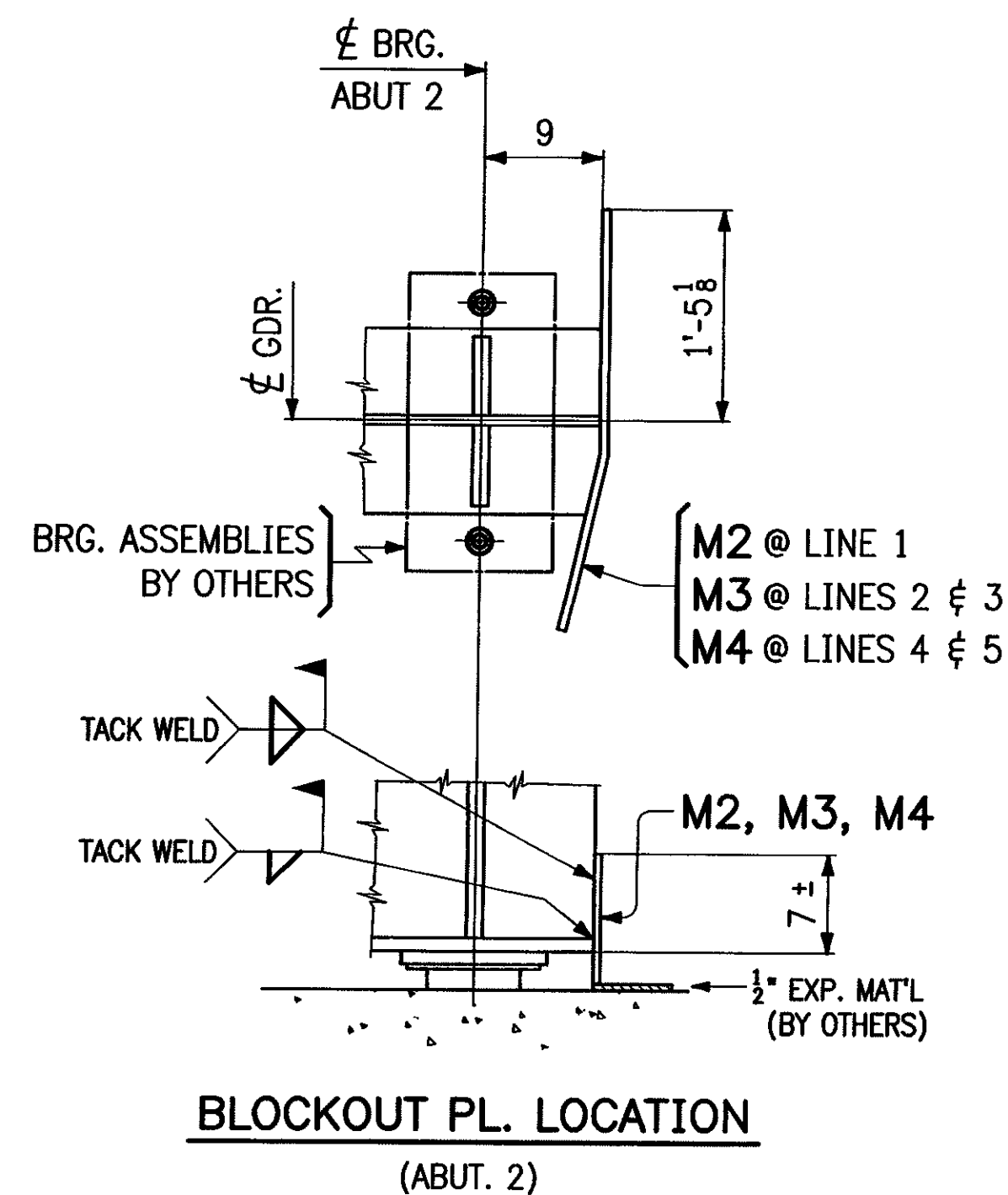
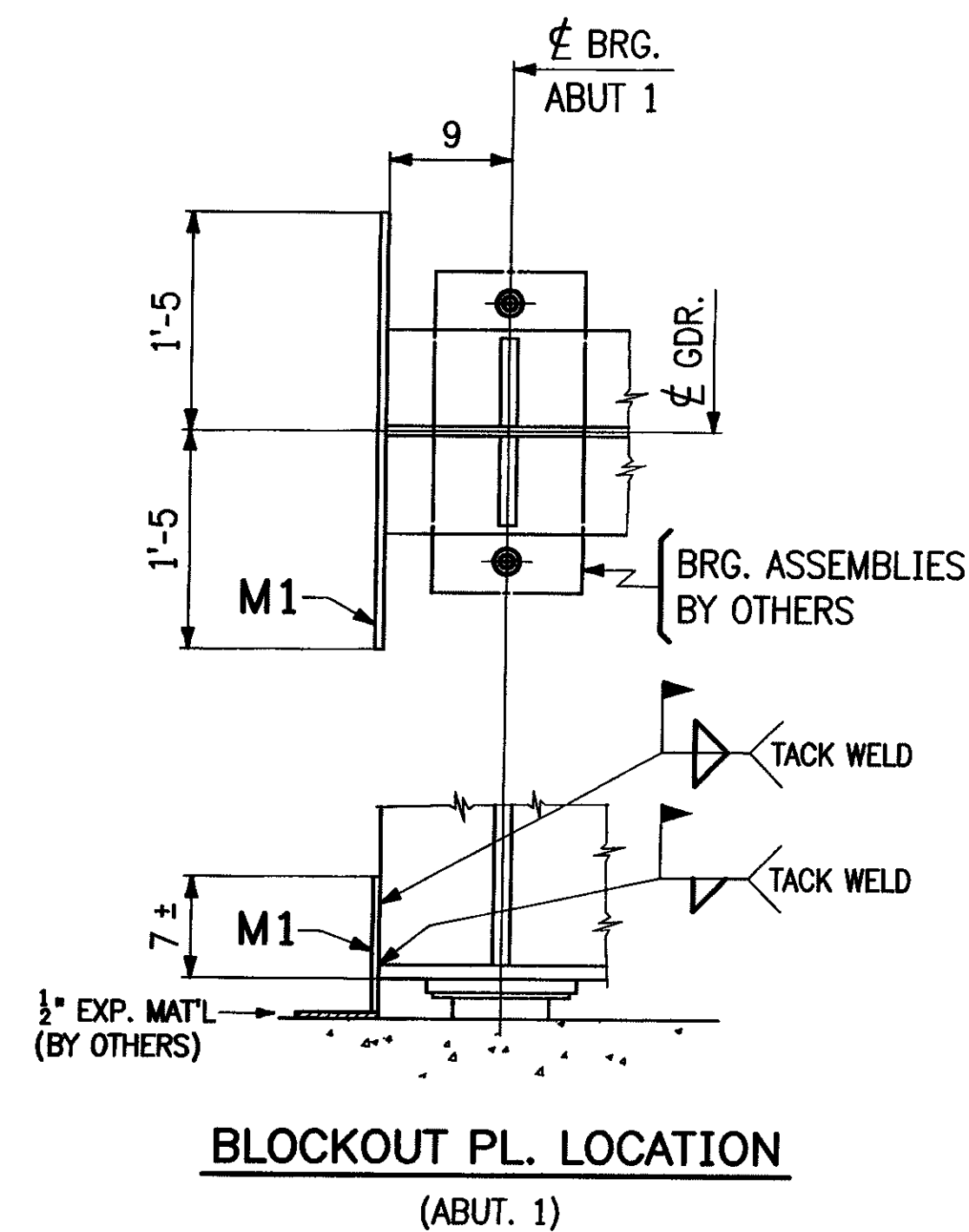


ERECTION PLAN



RECEIVED
 OK'D BY: *[Signature]* OK'D BY: *[Signature]*
 JUL 23 2005
 R. SUGNET APPROVED ✓
 BY *[Signature]* DATE 7/31/05

REVISIONS		PRINT RECORD			
NO	DATE	DESCRIPTION	DATE	QTY	ISSUED
			7-14	Sp	Appr.
7-14-09		ADDED BRG STIFFENERS, DIAPHRAGMS & REV BOLT QUANTITY			

MEGQUIER & JONES INC.
 STRUCTURAL STEEL SINCE 1895
 1156 BROADWAY
 SOUTH PORTLAND, MAINE 04106

PAINT	HOLES U N	WELD U N	Q C REVIEW
PROJECT TH NO.1 OVER THE GIHON RIVER PROJECT NO. BHO 1448 (29) BRIDGE NO. 5 TOWN OF JOHNSON, VERMONT		DATE 6-8-09	DRAWN BY <i>[Signature]</i>
DESCRIPTION ERECTION PLAN		CHK'D BY GDC	JOB NO J-81
ARCH N/A	ENGR VERMONT AGENCY OF TRANSPORTATION	SHT NO E1	
CUSTOMER S.D. IRELAND CONCRETE CONSTRUCTION CORP.			

FIELD BOLT CONNECTION LIST

QTY.	DIAM.	LENGTH	GRIP	THICKNESS OF PIECES CONNECTED	CONNECTION
400	7/8	0'-3	1 5/8	1/2 5/8 1/2	FIELD SPLICE @ WEB
280	7/8	0'-5 1/2	4	1 1/2 1 1/2	FIELD SPLICE @ TOP FLANGE
280	7/8	0'-6	4 1/2	1 1/2 1 1/2 1 1/2	FIELD SPLICE @ BOTT. FLANGE
560	7/8	0'-2 1/4	1 5/16	7/16 1/2	INTERMEDIATE DIAPHRAGM TO STIFF.
112	7/8	0'-2 3/4	1 7/16	7/16 1	PIER DIAPHRAGMS TO BRG. STIFF.
40	3/4	0'-2	1 3/16	5/16 1/2	UTILITY SUPPORT TO STIFF.

Sheet E1 - Printed 07/16/2005 @ 08:26 (HEATHER)