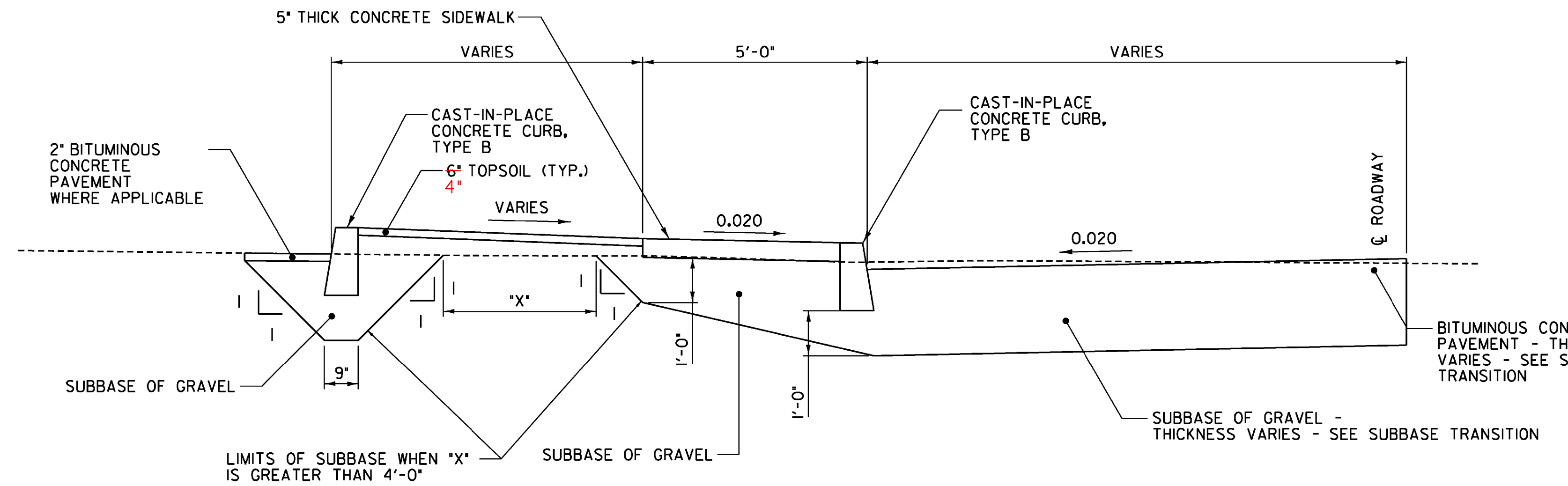


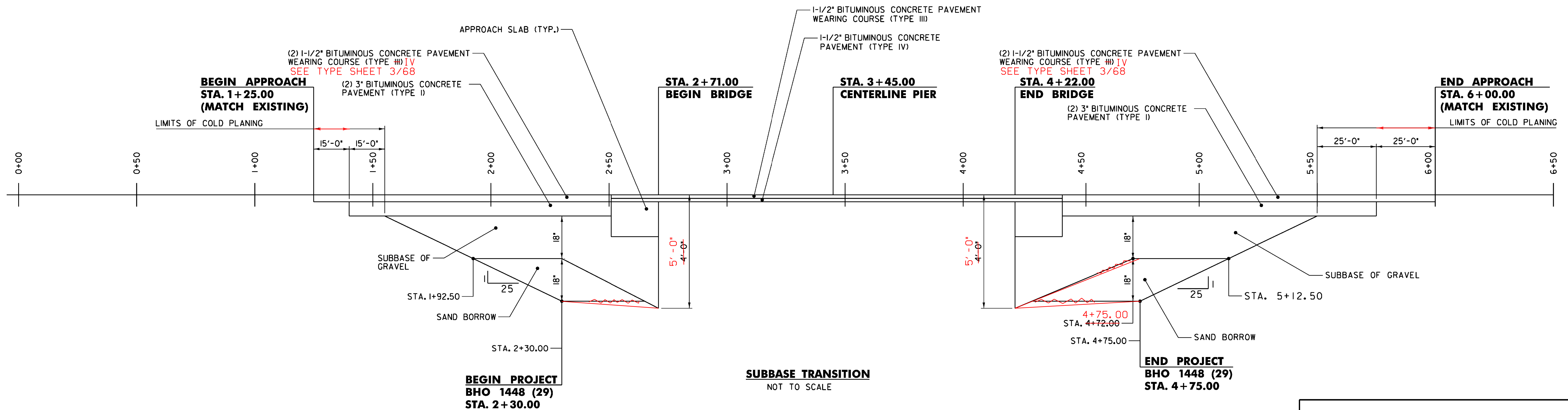
**TYPICAL CURB SECTION W/OUT
SUBBASE UNDER ROADWAY**

SCALE: 1/2" = 1'



TYPICAL CURB SECTION W/ TREE LAWN

SCALE: 1/2" = 1'



SUBBASE TRANSITION
NOT TO SCALE

**STATE OF VERMONT
AGENCY OF TRANSPORTATION**

Town Of	JOHNSON	Bridge No.	5
Highway No.	1	Log Sta.	
		Surv. Sta.	

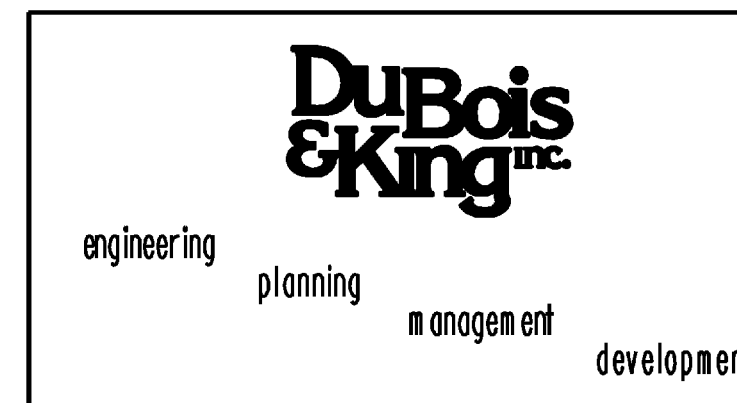
TH NO. 1 OVER THE GIHON RIVER

SUBBASE TRANSITION AND TYP. CURB SECTION

Designed By	A.P. GUYETTE	Drawn By	A.P. GUYETTE
Checked By	Date	Bridge Design Supervisor	J. W. TUCKER Date 2/09

PROJECT	JOHNSON	PROJECT NO.	BHO 1448 (29)
I.G.C. Info.	z98j372xs.dgn	D & K DWG NO.	

Bridge Sheet No.	Sheet 48 of 68
------------------	----------------



PLOTTED 2/10/2009

DATUM	
VERTICAL	NAVD 88
HORIZONTAL	ASSUMED