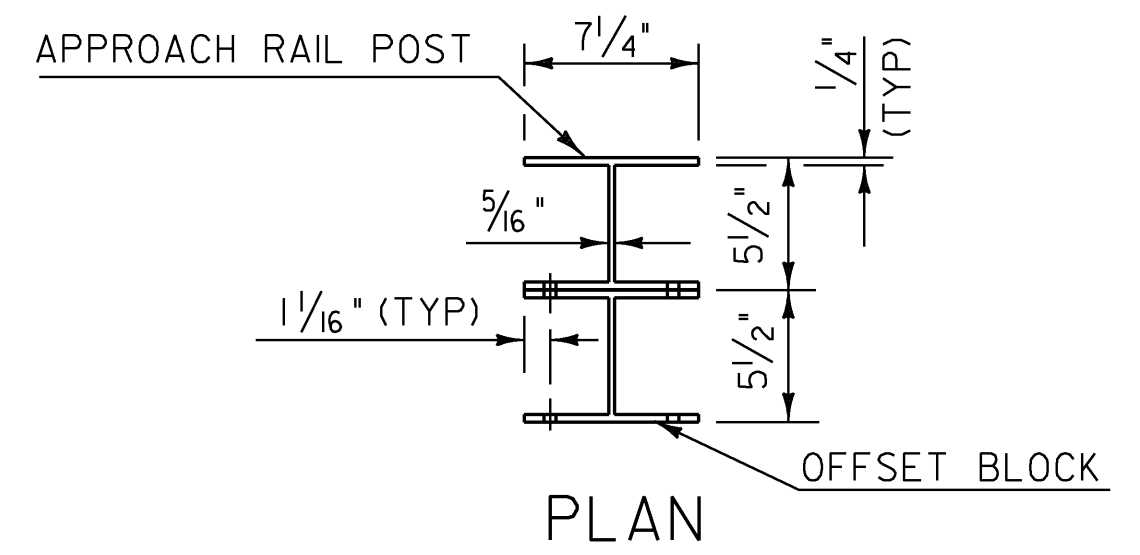


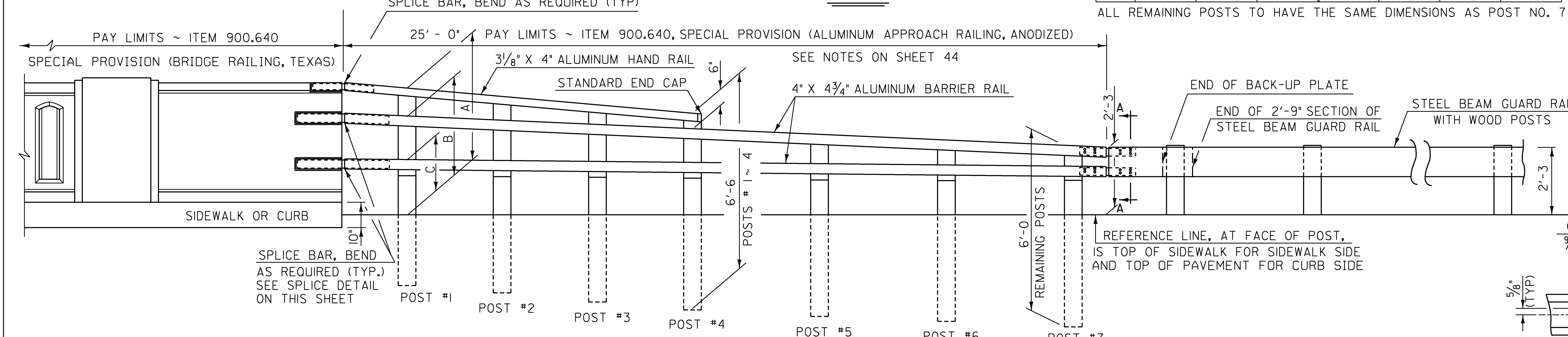
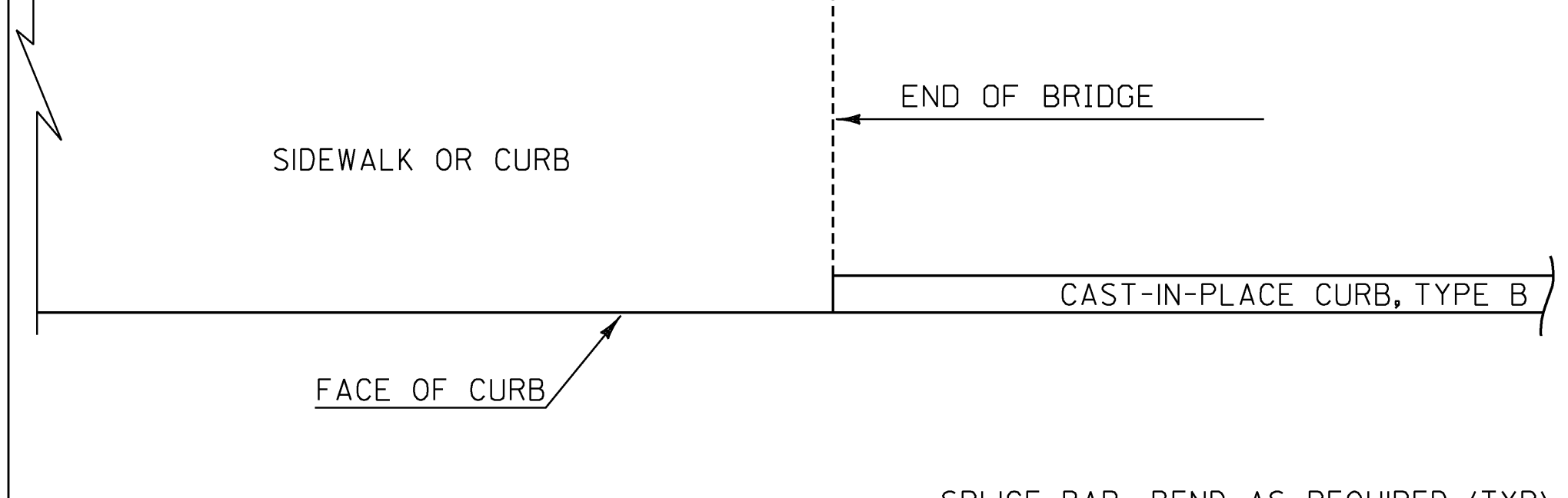
PLAN NOTE: REFER TO SHEET 42 FOR APPROACH RAILING LAYOUT
ALUMINUM APPROACH RAIL



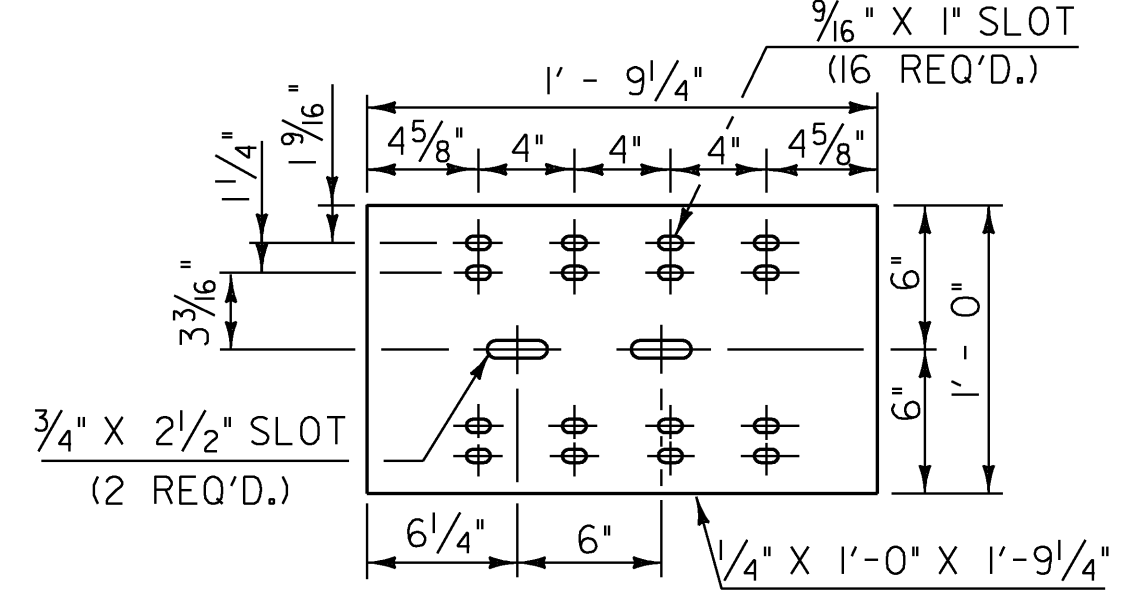
POST NO.	RAIL HEIGHT DIMENSIONS			OFFSET BLOCK DIMENSIONS			
	A	B	C	D	E	F	G
1	4'-2"	3'-3"	2'-2 3/8"	1 1/2"	1'-0 5/8"	1'-0 5/8"	1'-5 5/8"
2	3'-10 3/4"	3'-13 1/8"	2'-1 1/4"	9 7/8"	1'-0"	1'-0"	1'-5"
3	3'-7 1/2"	2'-11 3/4"	2'-0 1/4"	8 1/4"	1 1/2"	1 1/2"	1'-4 1/2"
4	3'-4 1/4"	2'-10 7/8"	1'-11 1/4"	6 5/8"	10 7/8"	10 7/8"	1'-3 3/8"
5		2'-7 7/8"	1'-9 7/8"		10 7/8"	10 7/8"	1'-3 1/8"
6		2'-5 3/4"	1'-8 1/2"		9 1/4"	9 1/4"	1'-2 1/4"
7		2'-3 5/8"	1'-7"		8 1/2"	8 1/2"	1'-1 1/2"

ALL REMAINING POSTS TO HAVE THE SAME DIMENSIONS AS POST NO. 7

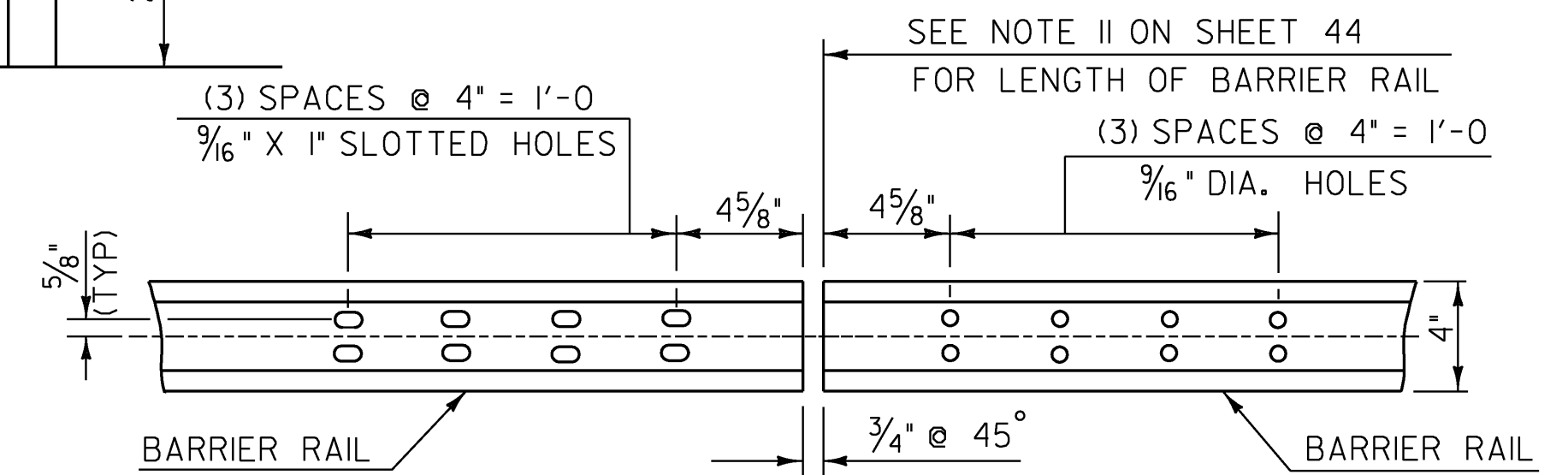
- NOTES**
- POST 1 THROUGH 7 SHALL BE EXTRUDED ALUMINUM.
 - ALL STRUCTURAL STEEL SHALL BE AASHTO M270 GRADE 36 GALVANIZED AFTER FABRICATION.
 - ALL ITEMS NOT OTHERWISE INDICATED SHALL MEET THE SPECIFICATION REQUIREMENTS OF THE STANDARD SHEETS ON WHICH THEY ARE DETAILED.
 - SEE STANDARD G-1 FOR STEEL BEAM GUARD RAIL DETAILS. SEE SHEET 44 FOR ADDITIONAL ALUMINUM APPROACH RAILING DETAILS.
 - THE COST OF ALL MATERIALS AND LABOR FOR THE SPLICE BETWEEN THE ALUMINUM APPROACH RAILING AND THE STEEL BEAM GUARD RAIL SHALL BE INCIDENTAL TO ITEM 900.640, *SPECIAL PROVISION (ALUMINUM APPROACH RAILING, ANODIZED)*.
 - DETAILS ARE SHOWN FOR TRANSITION TO A 3 RAIL ALUMINUM BRIDGE RAILING.
 - DIMENSIONS SHOWN ARE FROM A REFERENCE LINE AT THE FACE OF POST FOR A NORMAL CROWNED SECTION. APPROPRIATE CORRECTIONS SHALL BE MADE FOR CROSS SLOPES OTHER THAN A NORMAL SECTION.



ELEVATION

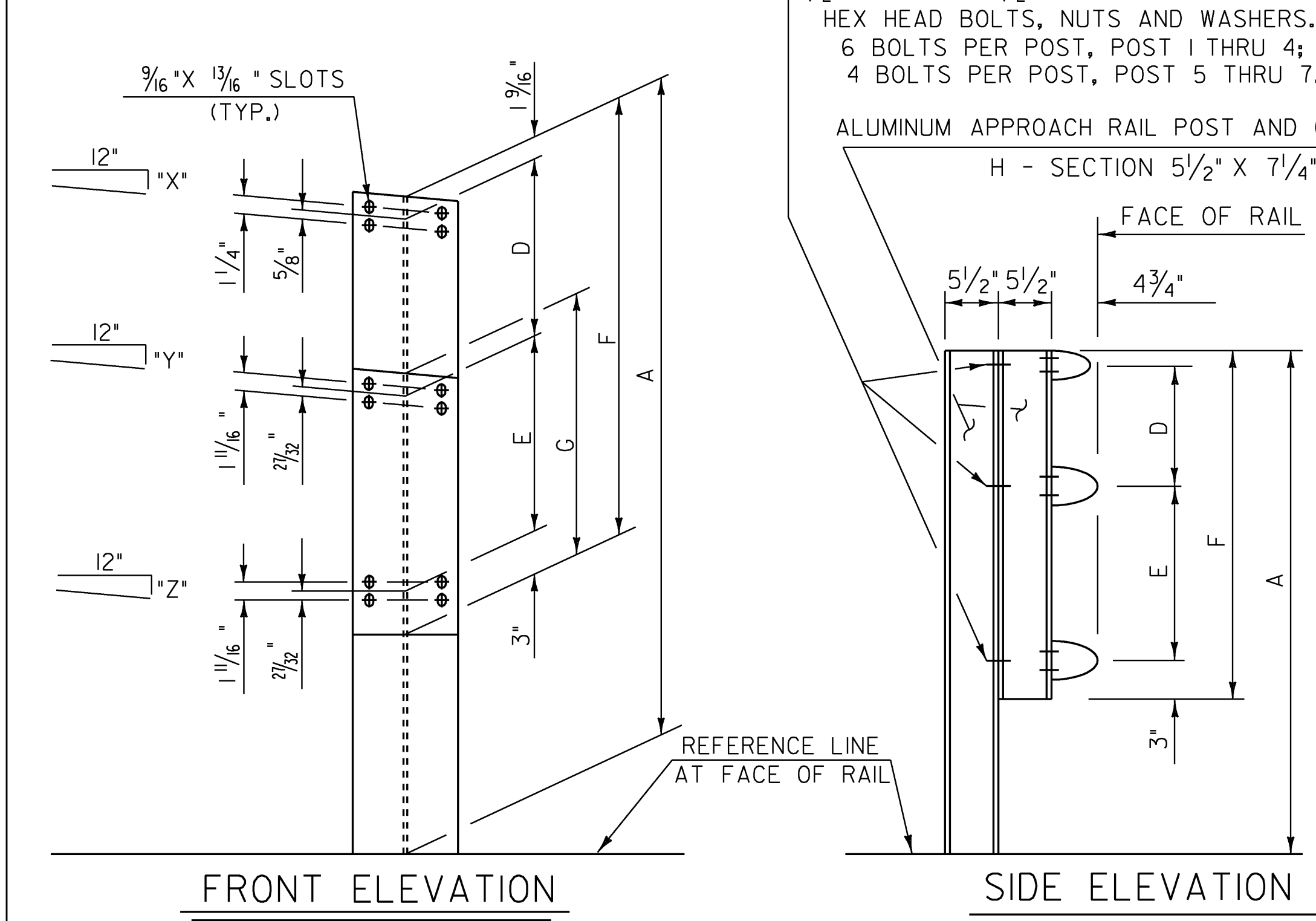


BACK-UP PLATE DETAILS



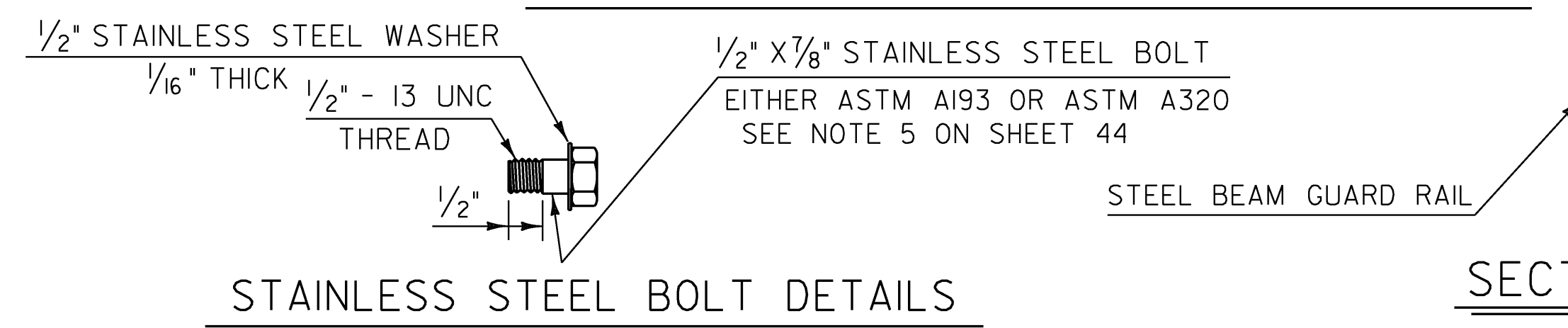
ELEVATION OF BARRIER RAIL (FROM BACK) AT ALL INTERMEDIATE RAIL SPLICES

DIMENSION	
X	1"
Y	1/2"
Z	3/8"

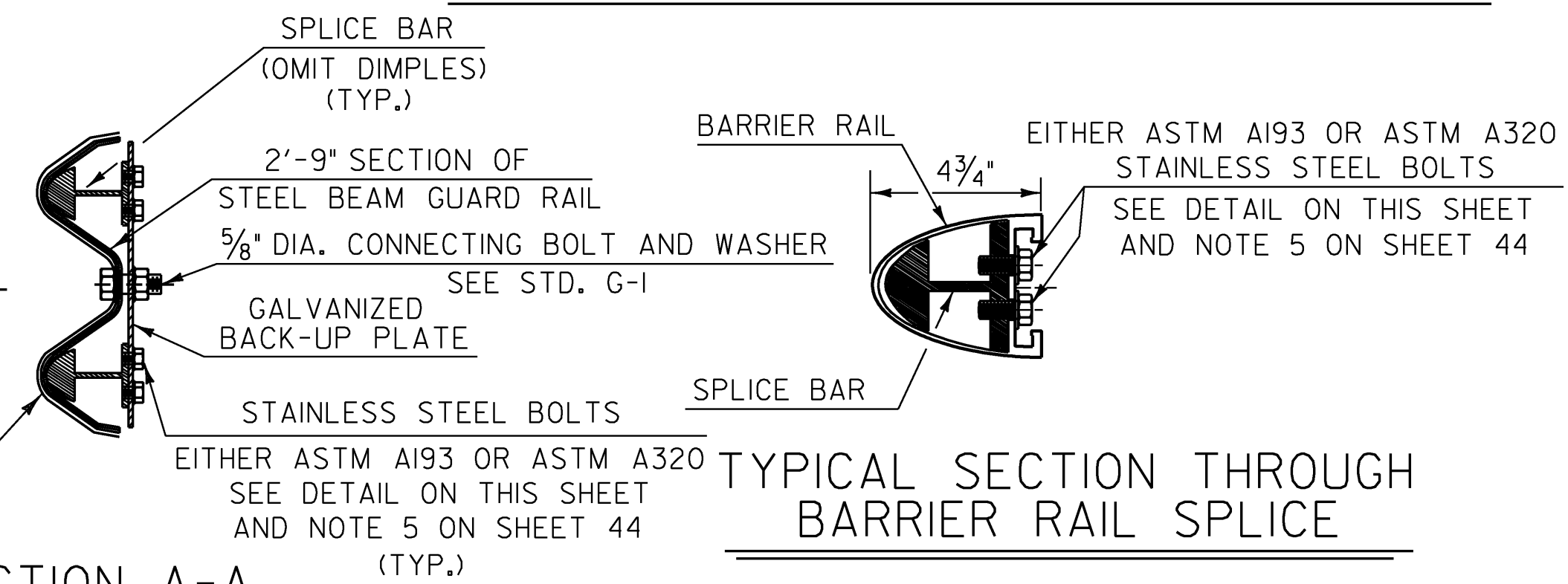


FRONT ELEVATION **SIDE ELEVATION**
APPROACH RAIL DETAILS

ELEVATION OF BARRIER RAIL SPLICE BAR TO BE USED AT TRANSITION BETWEEN APPROACH RAIL & GUARD RAIL (FROM BACK)

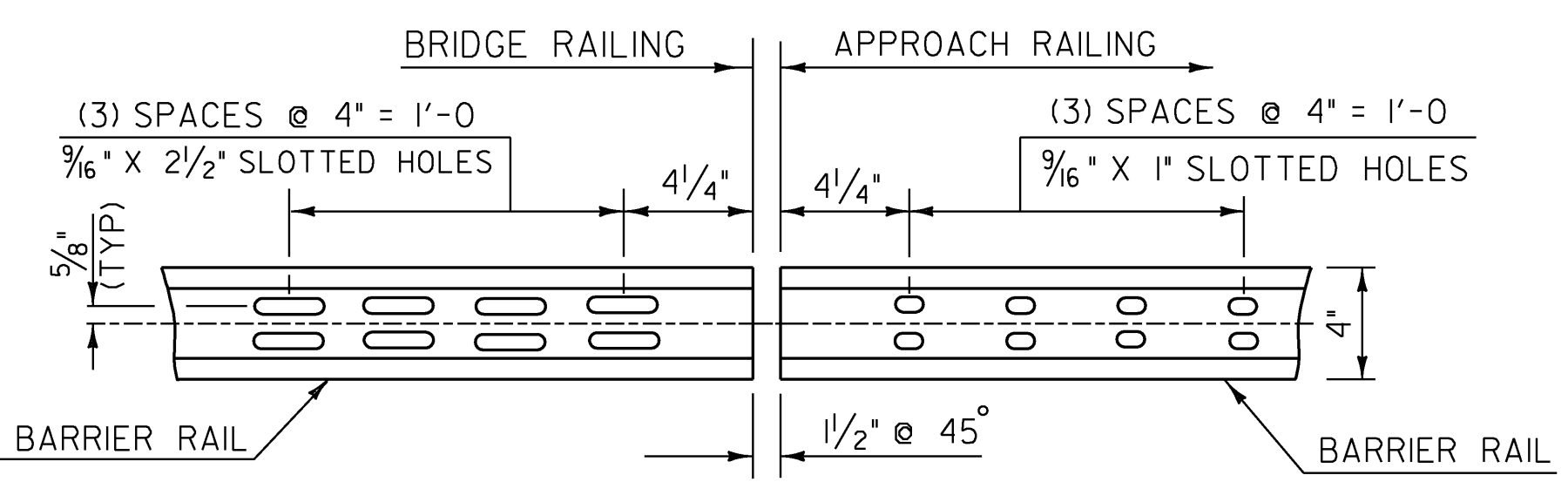


STAINLESS STEEL BOLT DETAILS



SECTION A-A

TYPICAL SECTION THROUGH BARRIER RAIL SPLICE



ELEVATION OF BARRIER RAIL (FROM BACK)

STATE OF VERMONT AGENCY OF TRANSPORTATION

Town Of	JOHNSON	Bridge No.	5
Highway No.	1	Log Sta.	
		Surv. Sta.	
TH NO. 1 OVER THE GIHON RIVER			
ALUMINUM APPROACH RAILING DETAILS (2)			
Designed By	A. P. GUYETTE	Drawn By	A.P. GUYETTE
Checked By	Date	Bridge Design Supervisor	
E. P. DETRICK	2/09	J. W. TUCKER	Date 2/09
PROJECT	JOHNSON	PROJECT NO.	BHO 1448 (29)
I.G.C. Info.			
Bridge Sheet No.		Sheet	45 of 68

DuBois & King
engineering planning management development

PLOTTED 2/18/2009