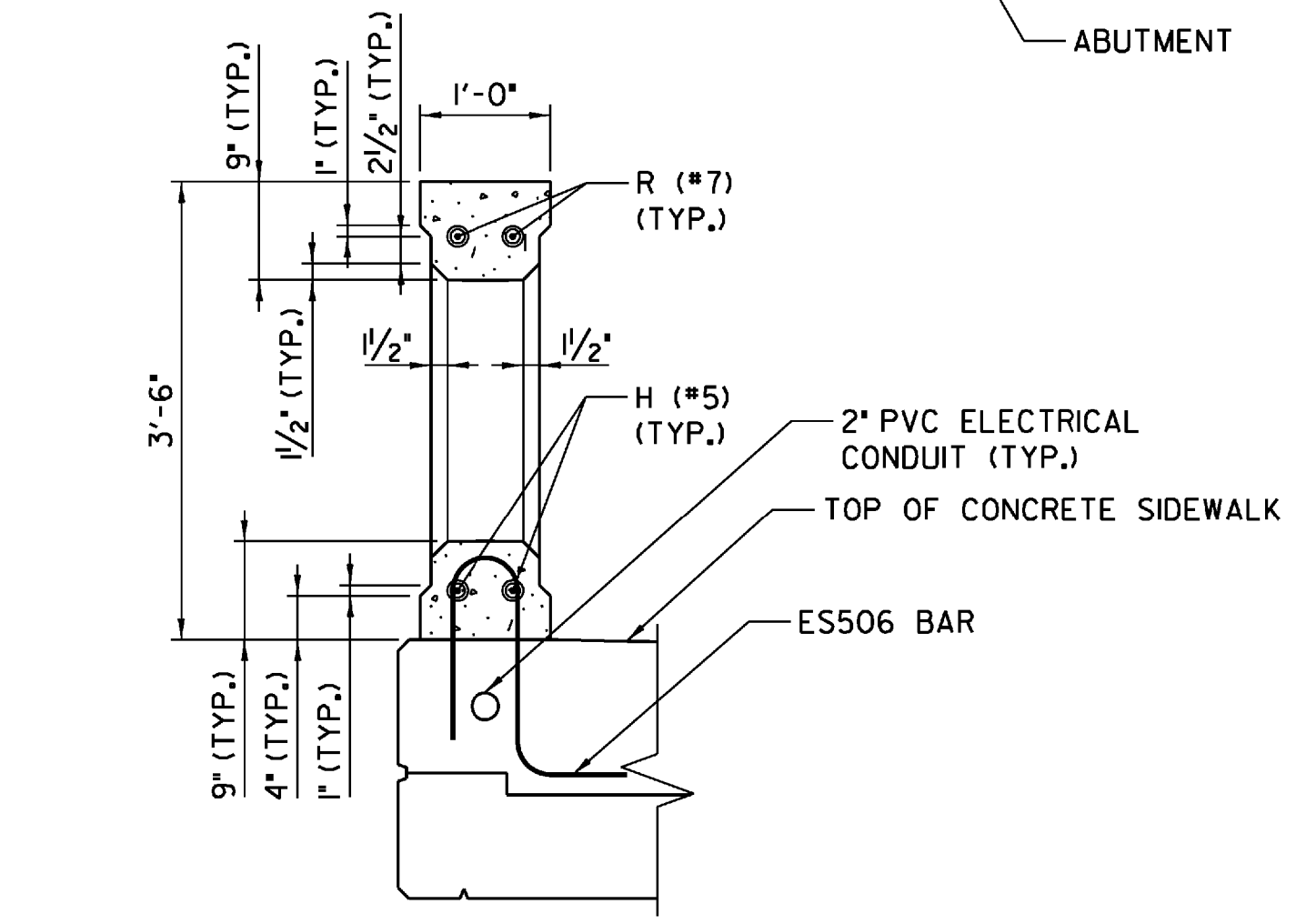
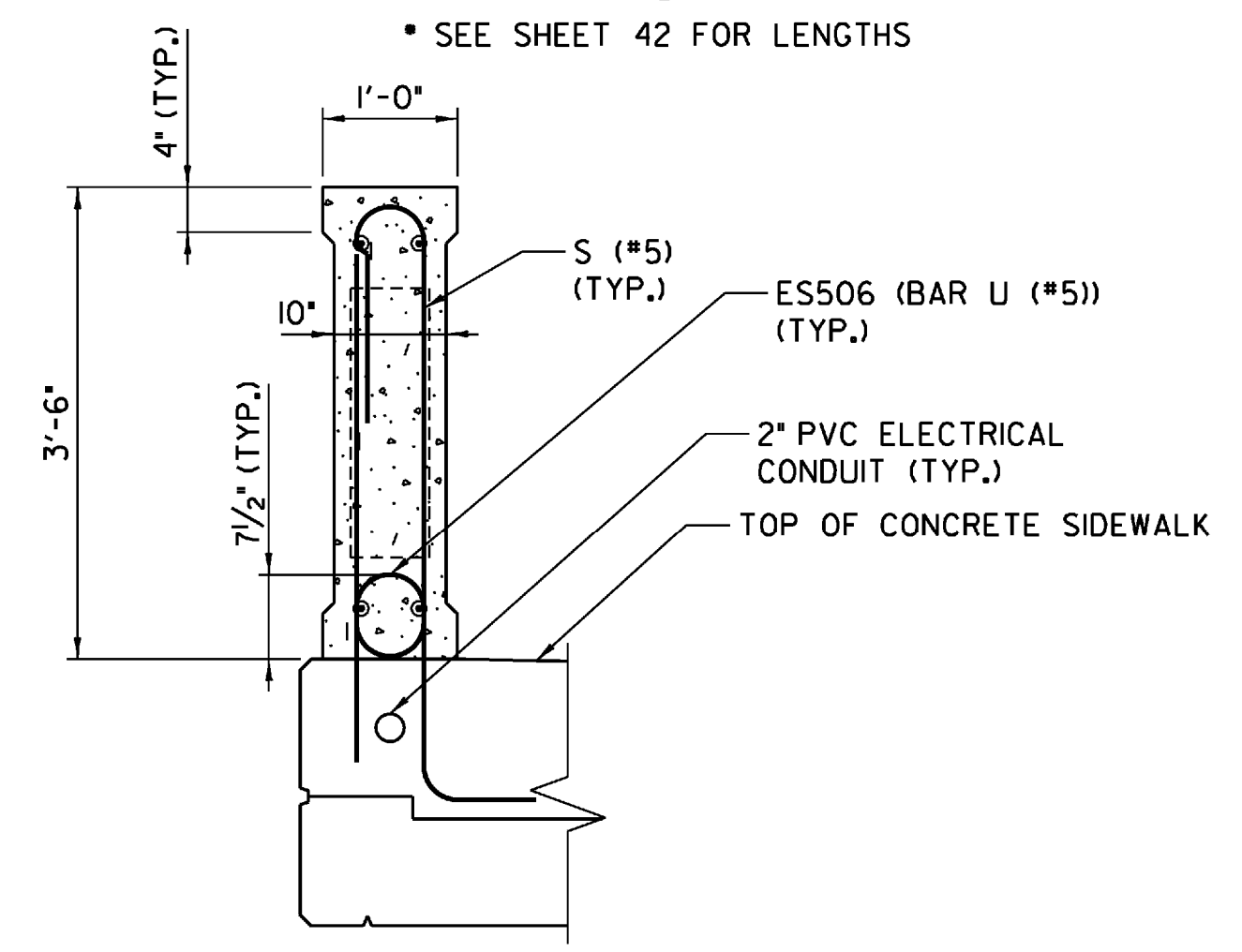


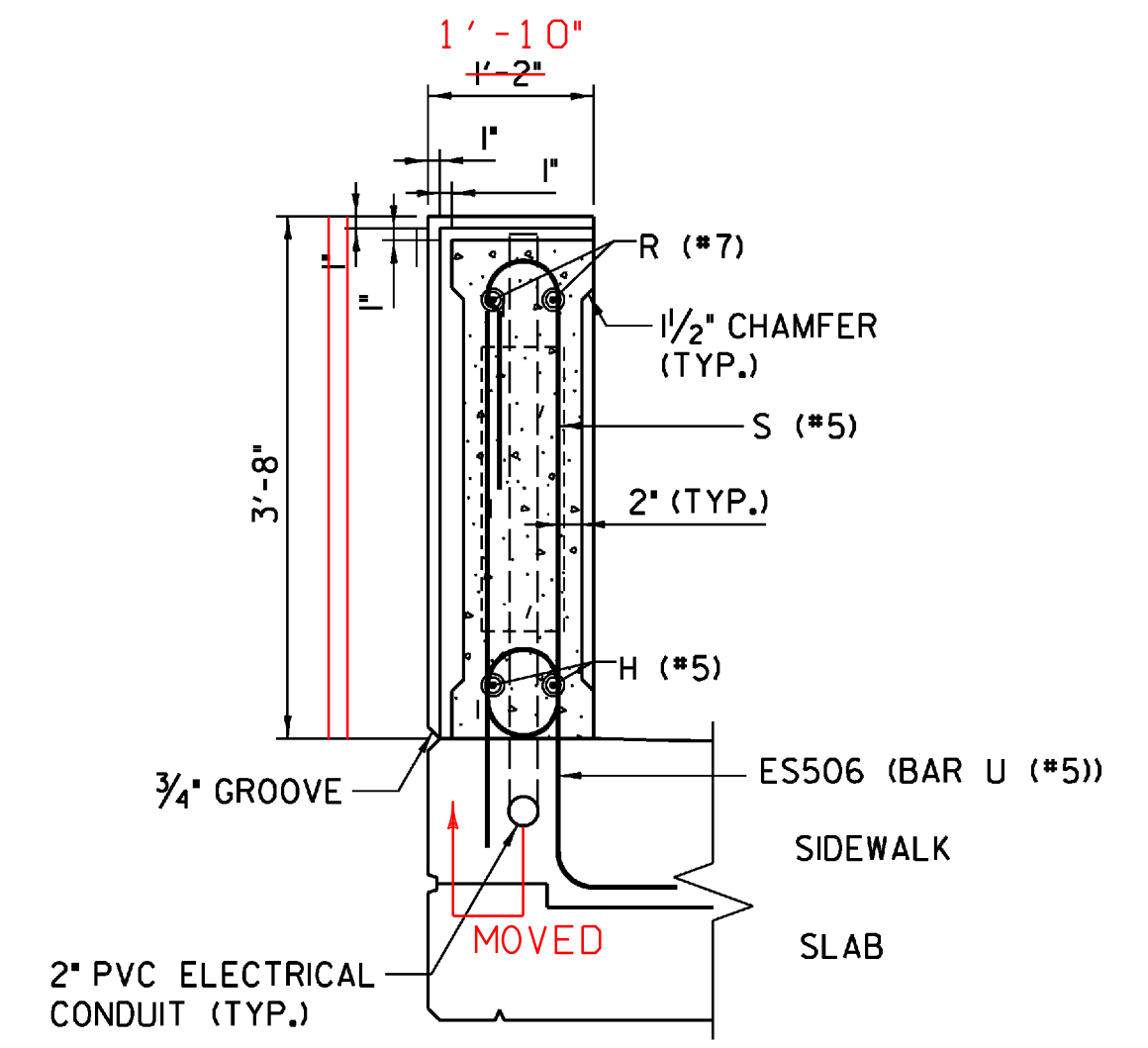
**SPECIAL PROVISION (BRIDGE RAILING, TEXAS) ELEVATION**  
SCALE: 1/2" = 1'-0"



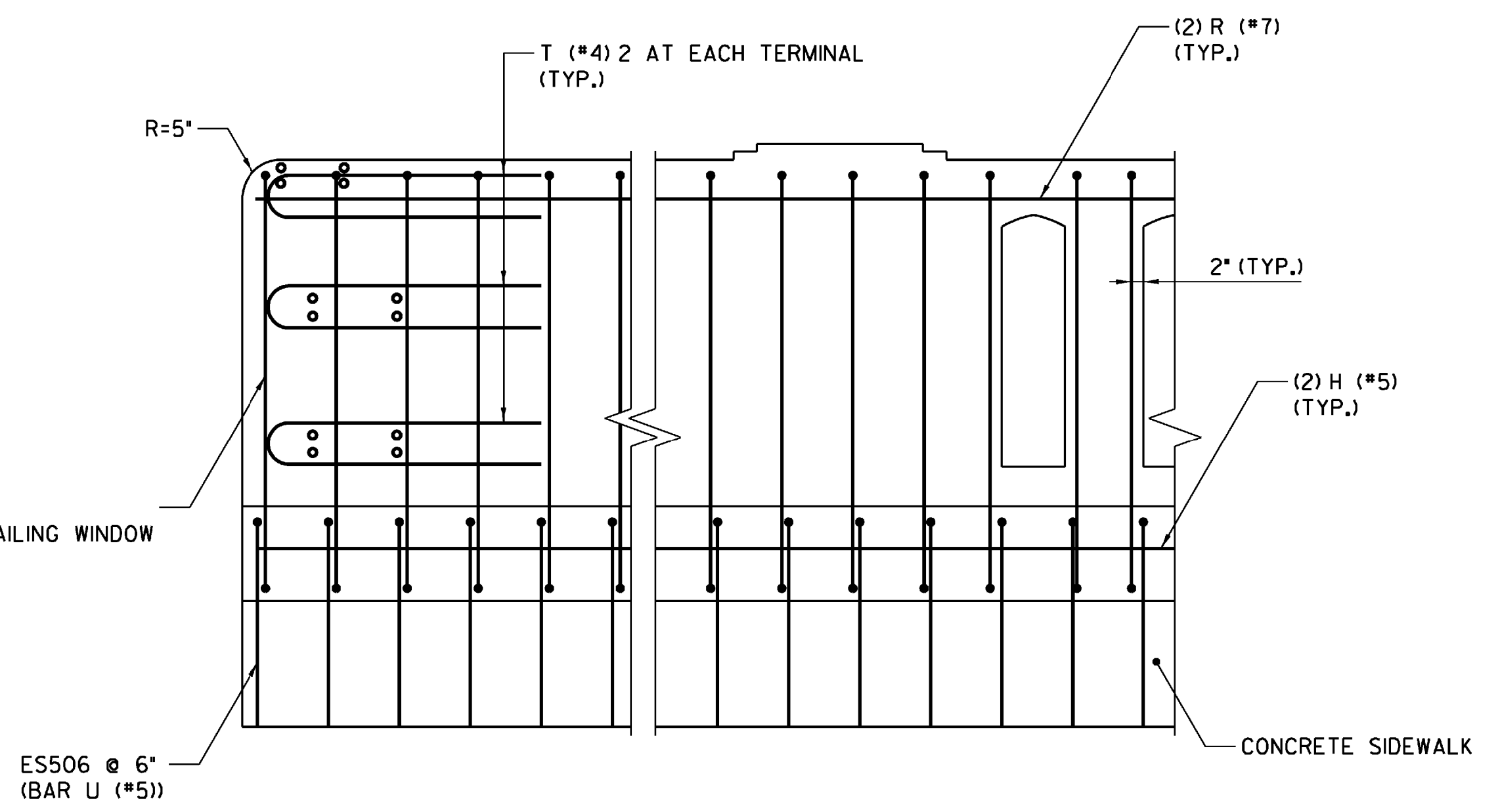
**SECTION C-C**  
SCALE: 3/4" = 1'-0"



**SECTION D-D**  
SCALE: 3/4" = 1'-0"

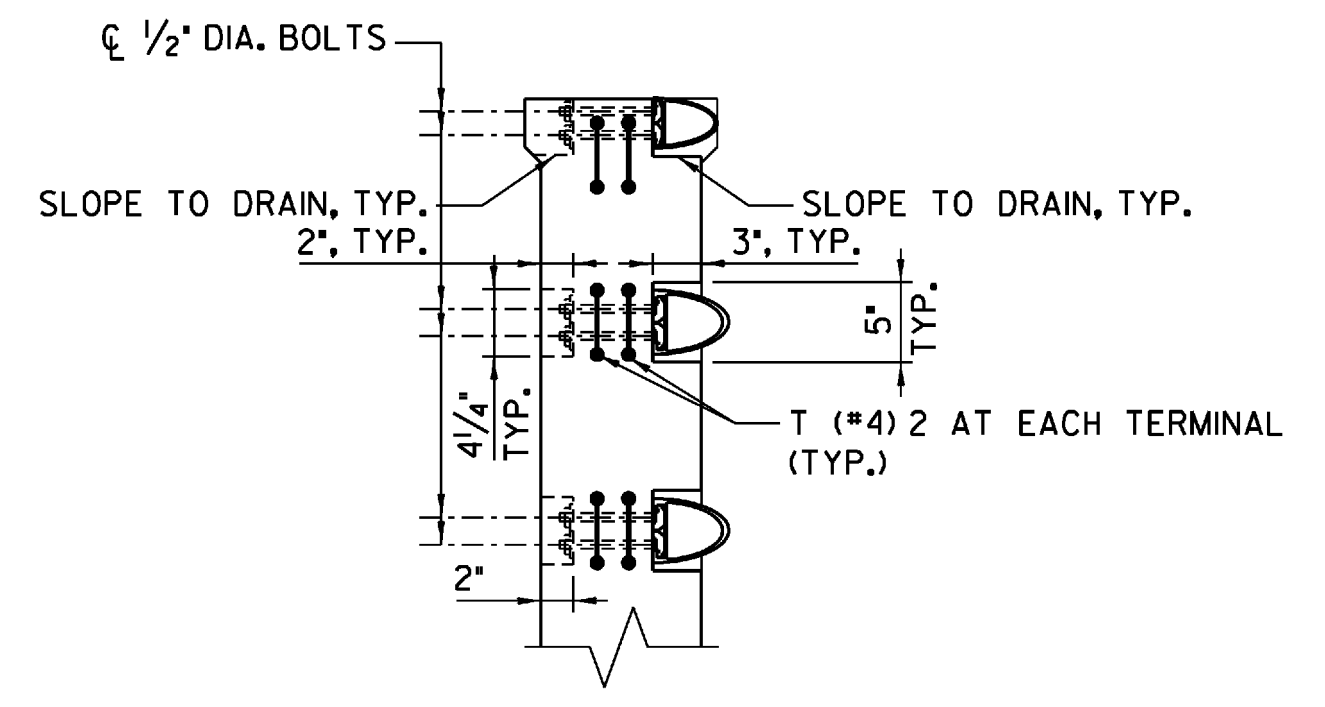


**SECTION THRU POST ON BRIDGE SLAB**  
(SHOWING PILASTER)  
SCALE: 1/2" = 1'-0"  
3/4" = 1'-0"

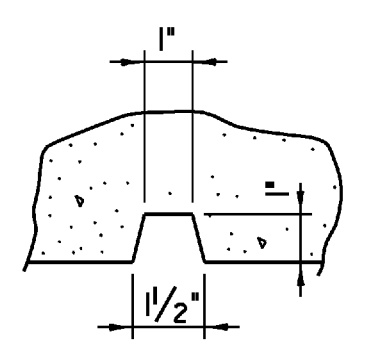


**TYPICAL REINFORCING PLACEMENT**  
SCALE: 1" = 1'-0"

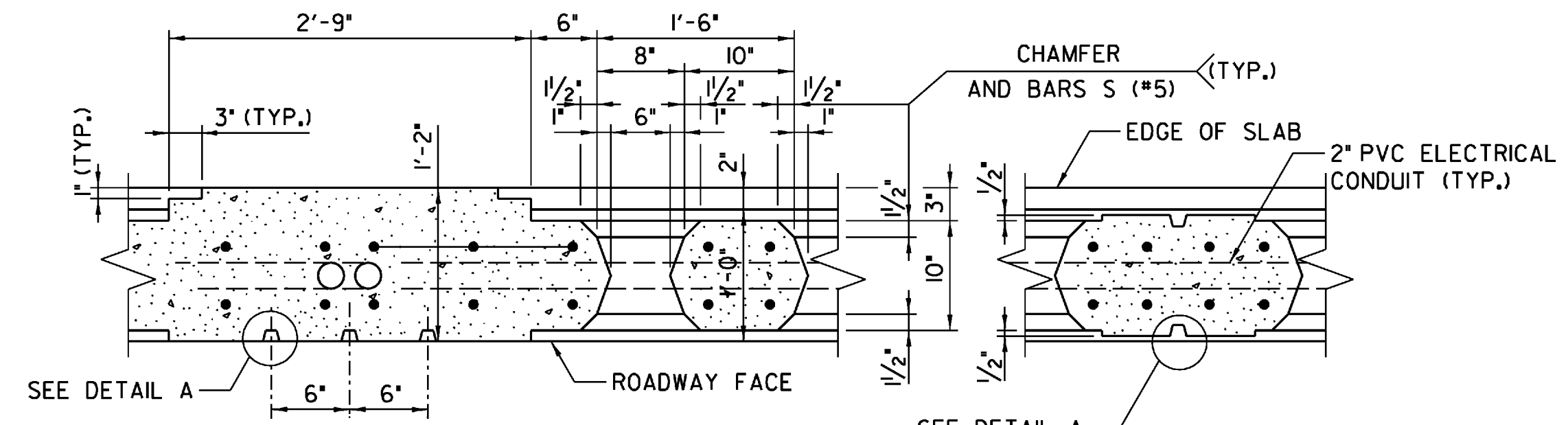
**NOTE:**  
ADJUST REINFORCEMENT SPACING AT THE BRIDGE RAIL WINDOWS IN ORDER TO MEET THE REQUIRED COVER DIMENSION.



**SECTION E-E**  
NOT TO SCALE



**DETAIL A**  
SCALE: 3" = 1'-0"



**SECTION A-A ABUTMENT / PIER PILASTER**  
SCALE: 1" = 1'-0"

**SECTION B-B SPAN PILASTER**  
SCALE: 1" = 1'-0"

PLOTTED 2/10/2009

**DuBois & King**  
engineering planning management development

<b>STATE OF VERMONT AGENCY OF TRANSPORTATION</b>			
Town Of	JOHNSON	Bridge No.	5
Highway No.	1	Log Sta.	
		Surv. Sta.	
<b>TH NO. 1 OVER THE GIHON RIVER</b>			
<b>BRIDGE RAIL AND APPROACH RAIL DETAILS (1)</b>			
Designed By	A.P. GUYETTE	Drawn By	A.P. GUYETTE
Checked By	Date	Bridge Design Supervisor	Date
J. W. TUCKER	2/09	J. W. TUCKER	Date 2/09
PROJECT	JOHNSON	PROJECT NO.	BHO 1448 (29)
I.G.C. Info.	z98J372rail.dgn	D & K DWG NO.	
Bridge Sheet No.		Sheet	41 of 68