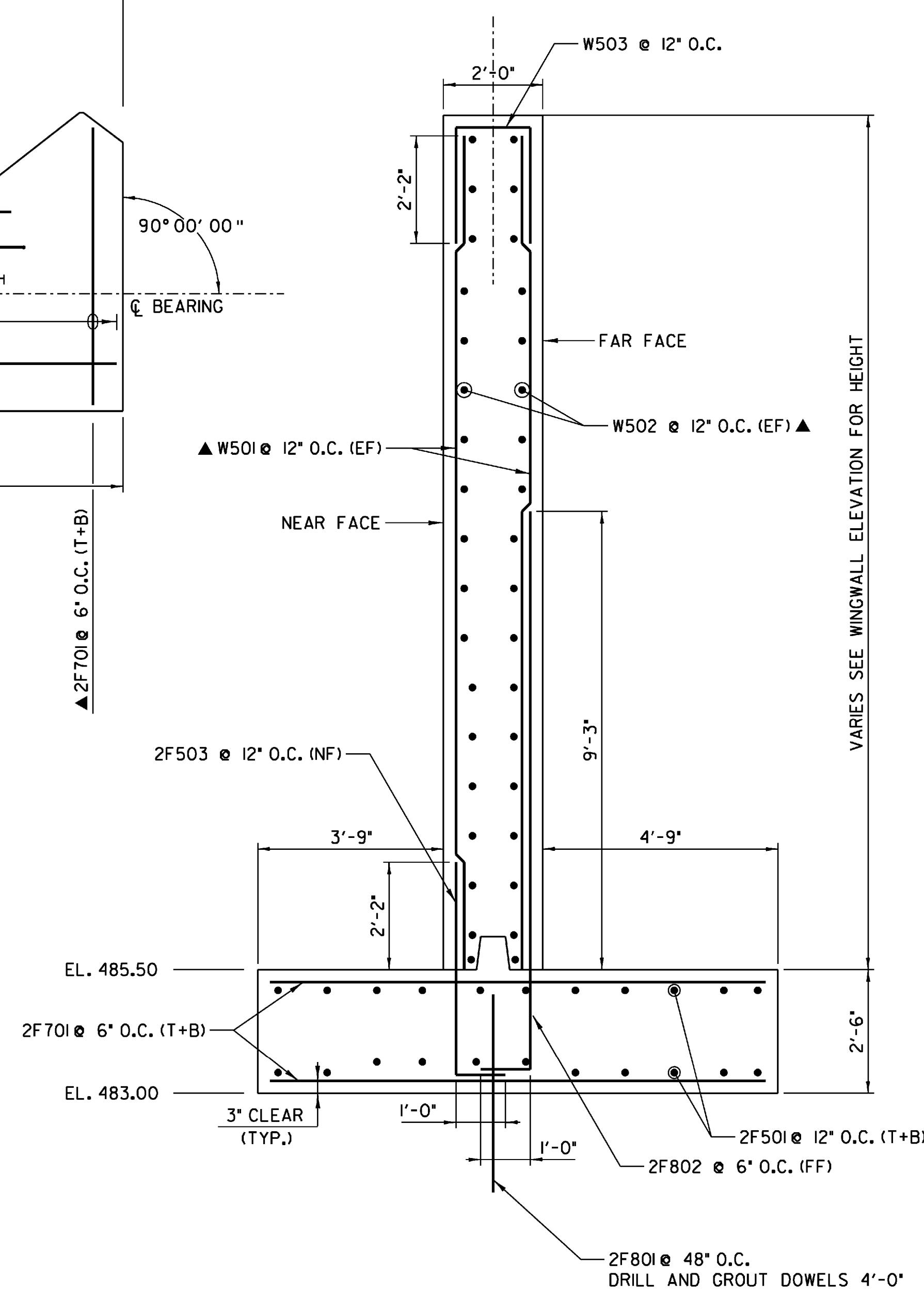
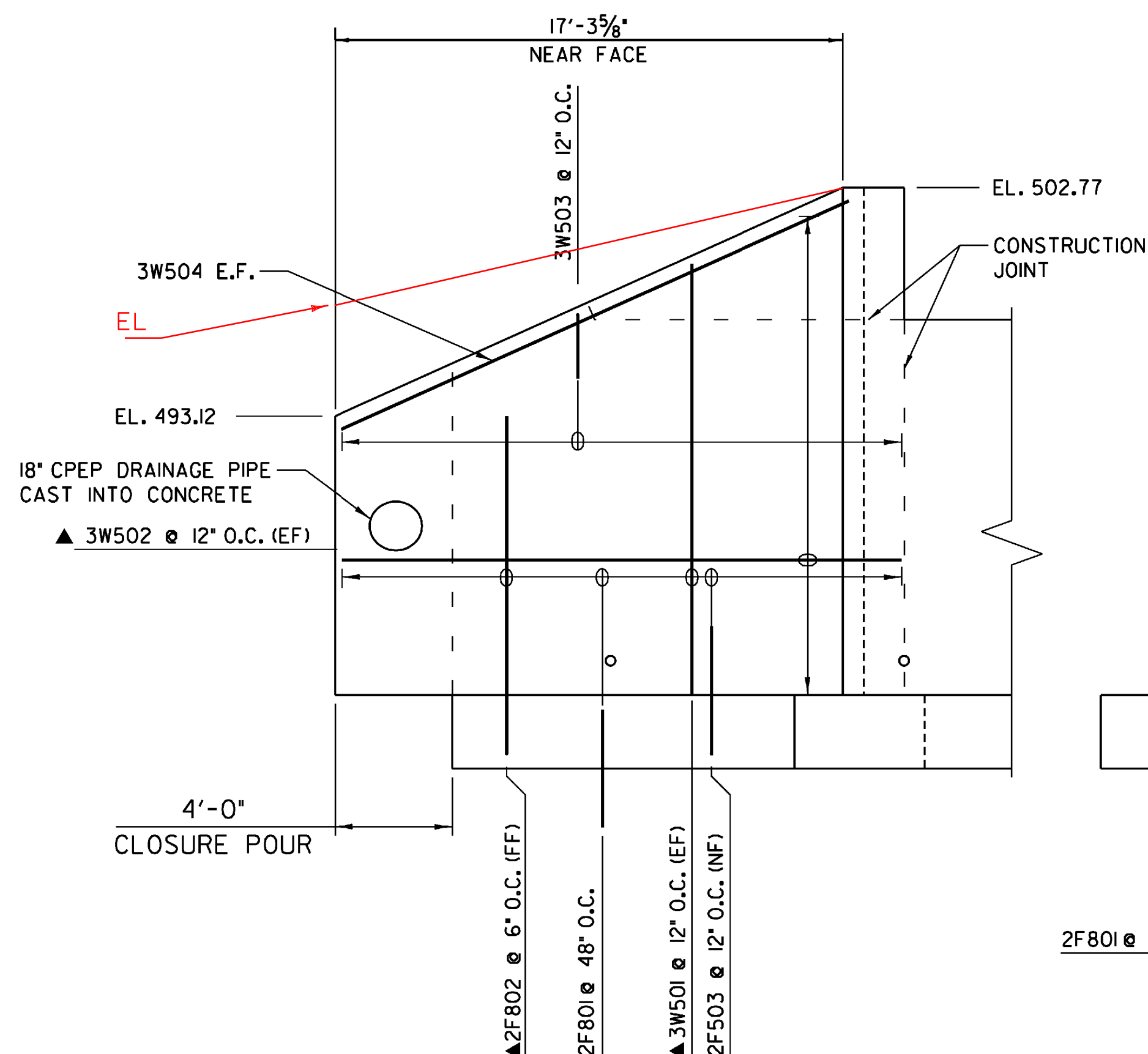


**FOOTING PLAN**  
SCALE: 1/4" = 1'-0"

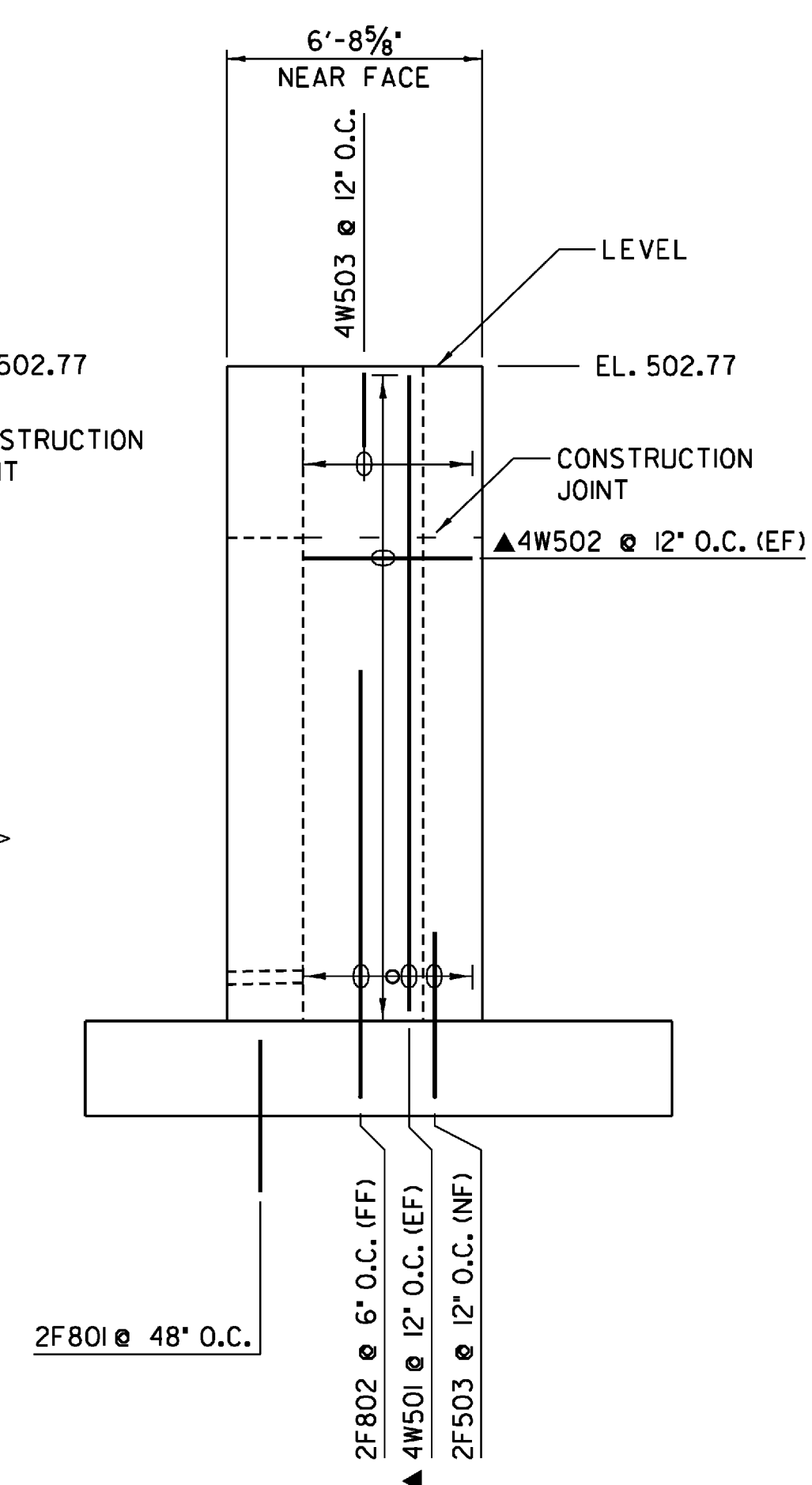


**TYPICAL WINGWALL SECTION**  
SCALE: 1/2" = 1'-0"

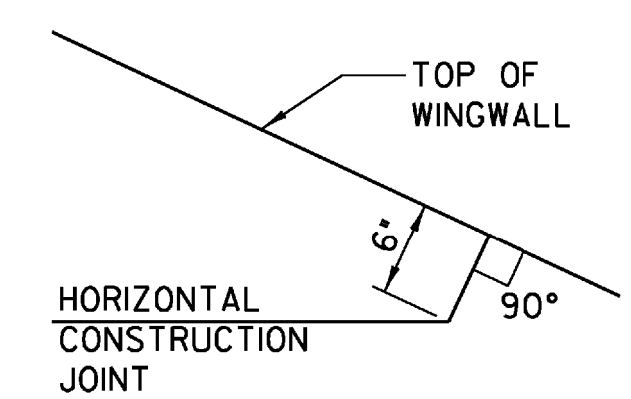
**NOTES:**  
NF = NEAR FACE  
FF = FAR FACE  
EF = EACH FACE  
▲ = CUT TO FIT IN FIELD  
T+B = TOP AND BOTTOM  
O.C. = ON CENTER  
MINIMUM LAP LENGTH NOT DETAILED SHALL BE 2'-2"



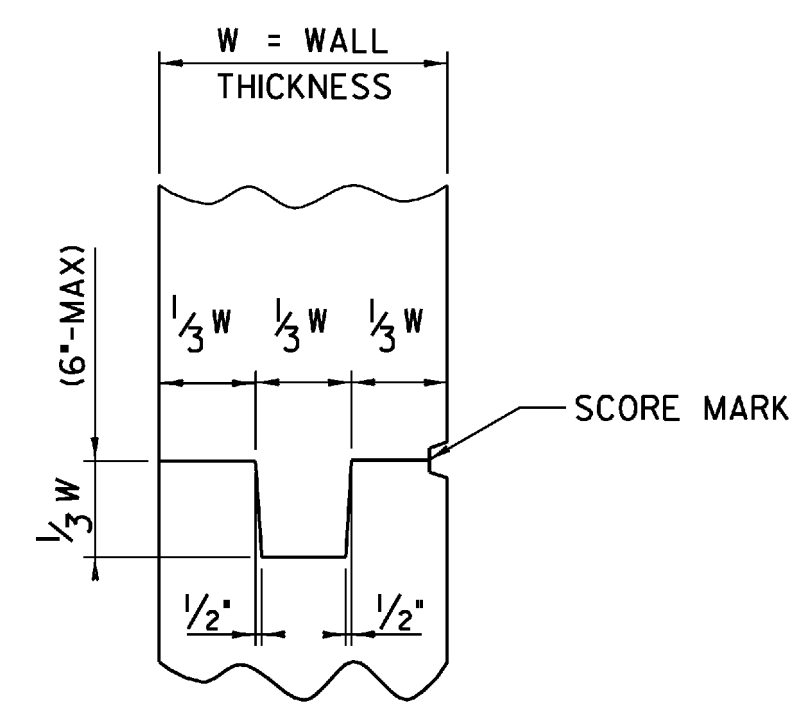
**WINGWALL NO. 3 ELEVATION**  
SCALE: 1/4" = 1'-0"



**WINGWALL NO. 4 ELEVATION**  
SCALE: 1/4" = 1'-0"



**WINGWALL HORIZONTAL CONSTRUCTION JOINT**  
NOT TO SCALE



**TYPICAL CONCRETE CONSTRUCTION JOINT**  
NOT TO SCALE

**DuBois & King**  
engineering planning management development

**STATE OF VERMONT  
AGENCY OF TRANSPORTATION**

Town Of	JOHNSON	Bridge No.	5
Highway No.	1	Log Sta.	
		Surv. Sta.	

**TH NO. 1 OVER THE GIHON RIVER  
FOOTING AND WINGWALL DETAILS**

Designed By	A.P. GUYETTE	Drawn By	A.P. GUYETTE
Checked By	J. W. TUCKER	Date	2/09
		Bridge Design Supervisor	
		Date	2/09

PROJECT	JOHNSON	PROJECT NO.	BHO 1448 (29)
I.G.C. Info.	z98j372fwd.dgn	D & K DWG NO.	
Bridge Sheet No.		Sheet	39 of 68