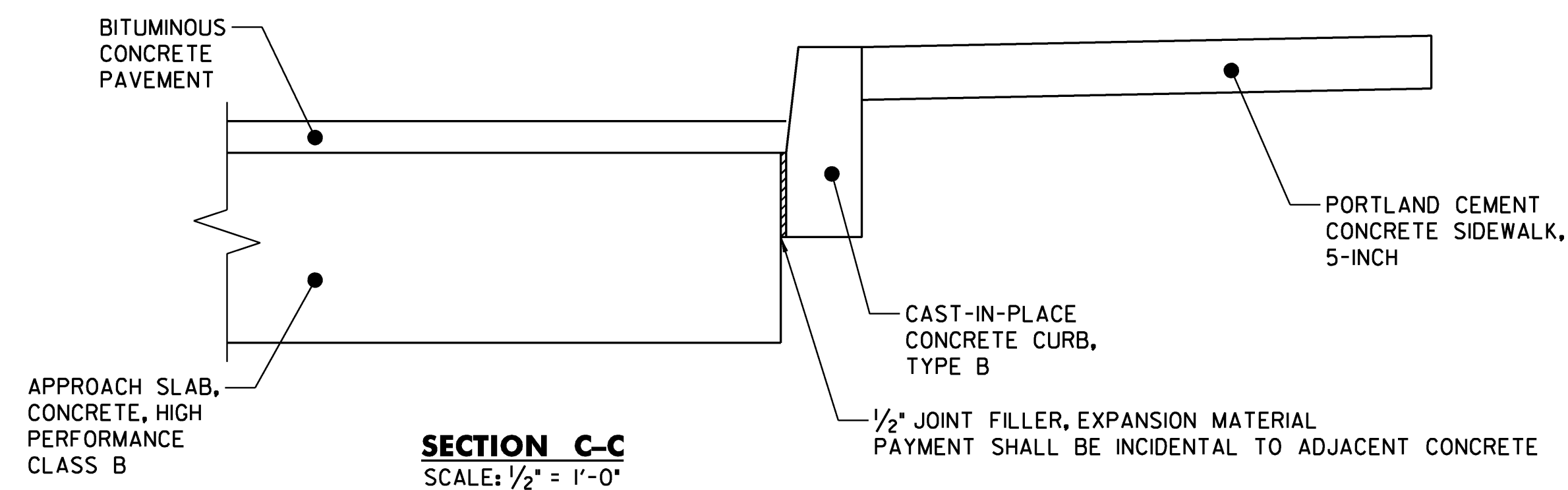


NOTE: SEE DECK END DETAILS SHEET 28

NOTE: SEE DECK END DETAILS SHEET 28



PLOTTED 2/18/2009

DuBois & King
INC.
engineering planning management development

**STATE OF VERMONT
AGENCY OF TRANSPORTATION**

Town Of JOHNSON Bridge No. 5
Log Sta.
Highway No. 1 Surv. Sta.

TH NO. 1 OVER THE GIBON RIVER

APPROACH SLAB DETAILS

Designed By A.P. GUYETTE Drawn By A.P. GUYETTE
Checked By J. W. TUCKER Date 2/09 Bridge Design Supervisor J. W. TUCKER Date 2/09

PROJECT JOHNSON PROJECT NO. BHO 1448 (29)

I.G.C. Info. z98J372as.dgn D & K DWG NO.
Bridge Sheet No. Sheet 34 of 68