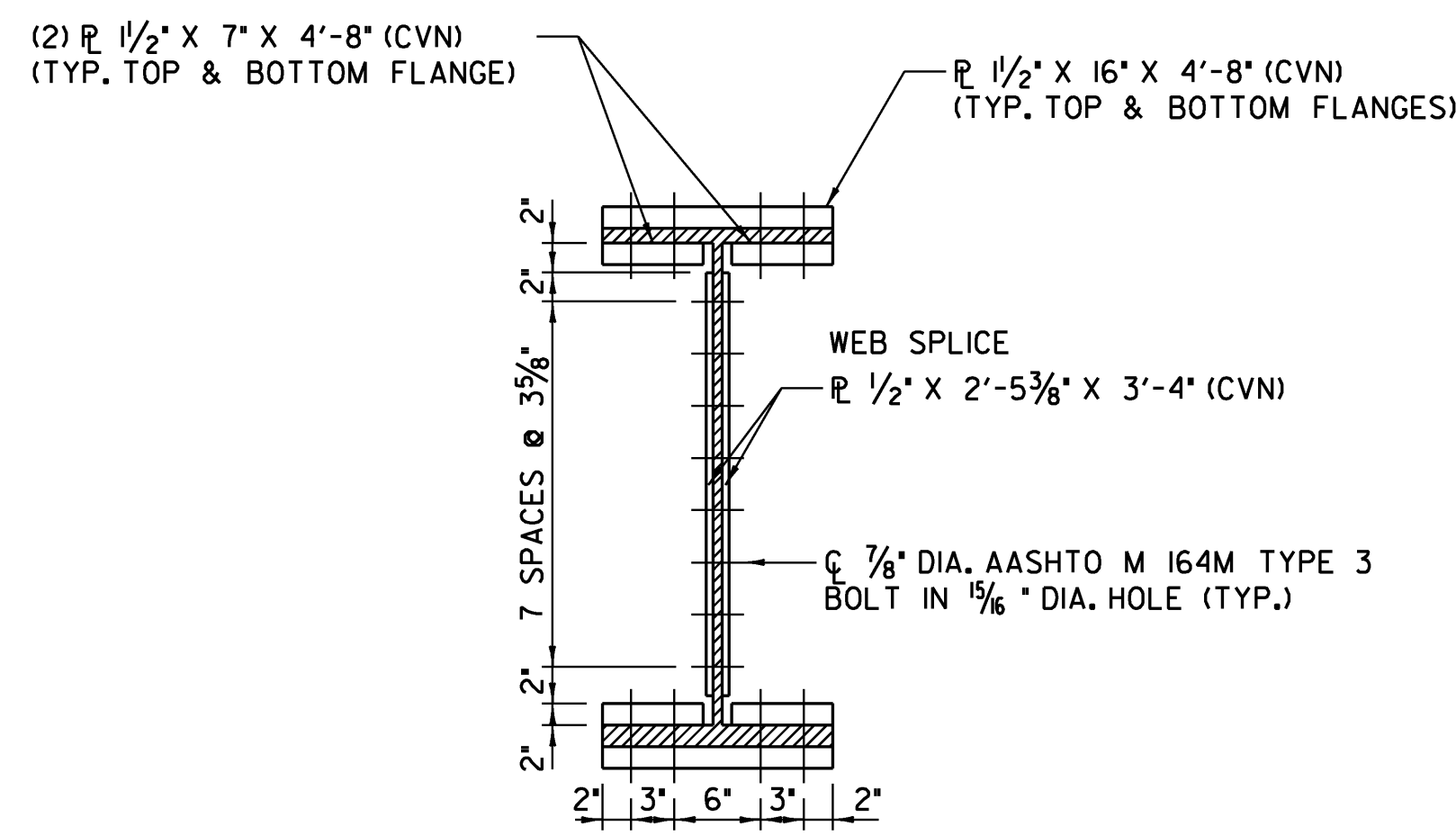
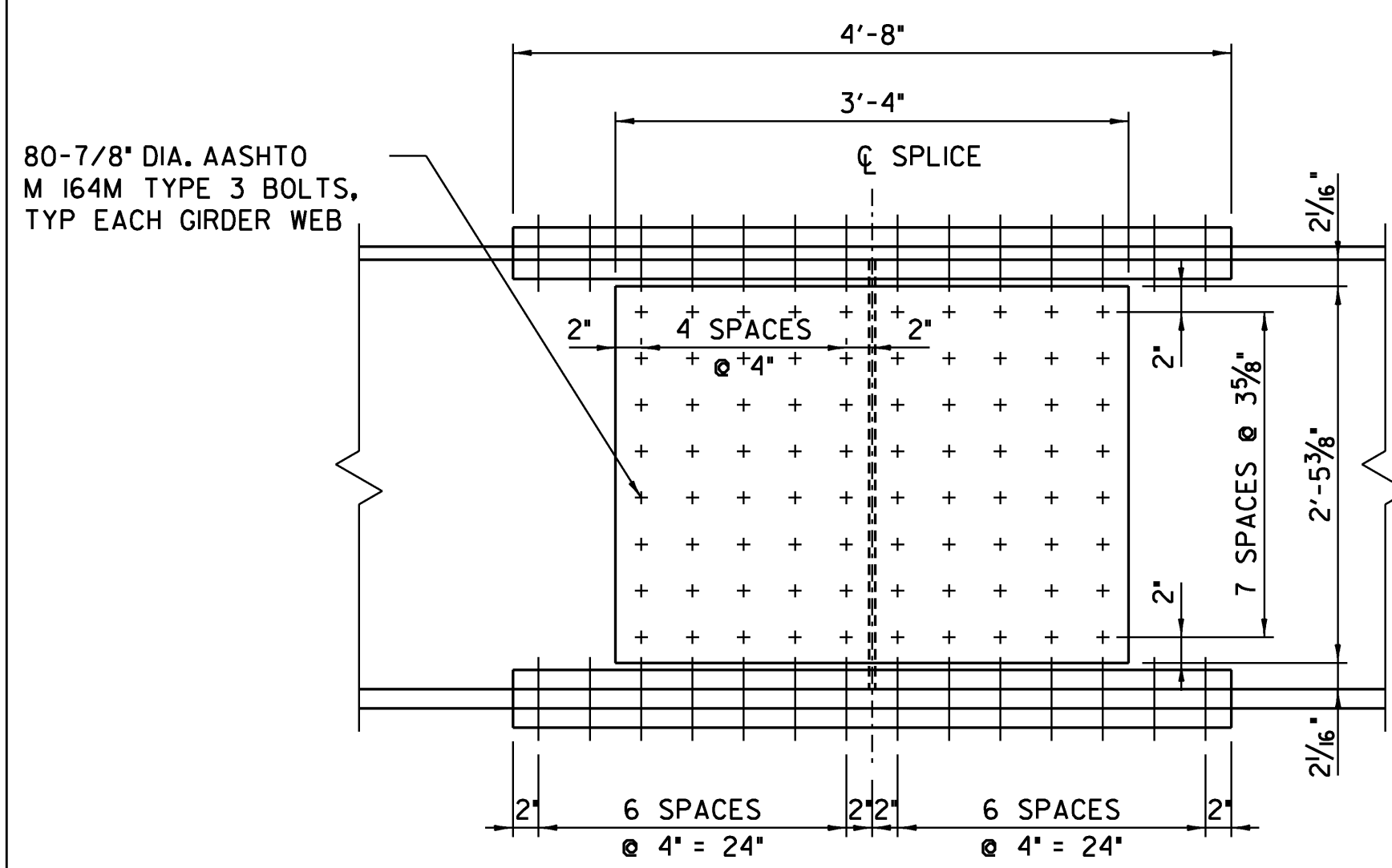


GIRDER NO.	*F*	*G*
1	1 7/8"	6 1/16"
2	1 1/2"	6 1/16"
3	1 3/4"	6 7/8"
4	1 3/4"	6 7/8"
5	1 1/16"	6 1/16"

GIRDER NO.	*A*	RADIUS	*B*	*C*	*D*	*E*
1	76'-1 1/8"	284'-10"	10'-3 3/4"	14'-2 5/8"	9 1/16"	18'-1 1/2"
2	76'-1/2"	292'-5"	10'-7"	12'-6 1/2"	8 1/2"	18'-3/4"
3	76'-0"	300'-0"	10'-10 3/8"	10'-9 3/4"	8"	18'-3 7/8"
4	75'-11 1/2"	307'-7"	11'-1 5/8"	9'-1 3/4"	7 1/2"	18'-7 7/8"
5	75'-11 1/16"	315'-2"	11'-4 5/16"	7'-5 7/16"	7 1/16"	18'-11 5/16"

SPAN 2 GIRDER DIMENSION TABLE



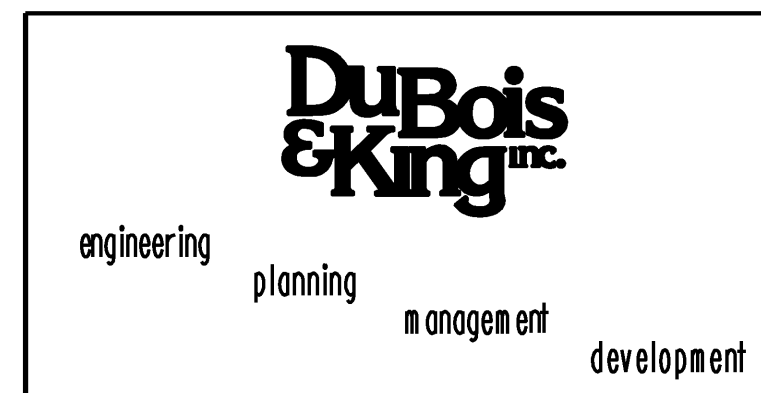
**STATE OF VERMONT
 AGENCY OF TRANSPORTATION**

Town Of	JOHNSON	Bridge No.	5
Highway No.	1	Log Sta.	
		Surv. Sta.	

TH NO. 1 OVER THE GIHON RIVER

GIRDER ELEVATION AND DETAILS

Designed By	A.P. GUYETTE	Drawn By	A.P. GUYETTE
Checked By	R. H. DURFEE	Date	2/09
		Bridge Design Supervisor	J. W. TUCKER
		Date	2/09
PROJECT	JOHNSON	PROJECT NO.	BHO 1448 (29)
I.G.C. Info.	z98j372gd.dgn	D & K DWG NO.	
Bridge Sheet No.		Sheet	30 of 68



PLOTTED 2/10/2009