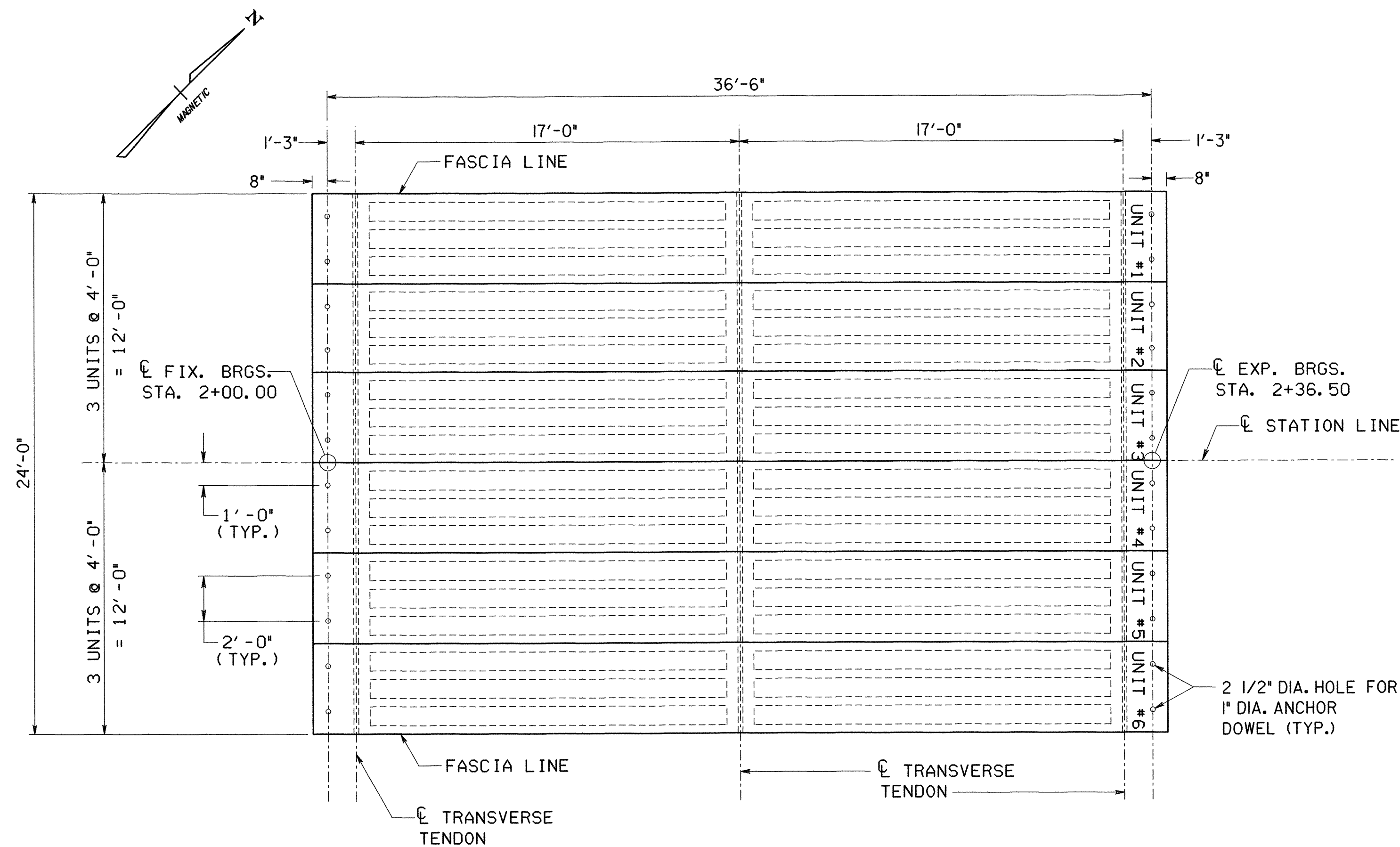
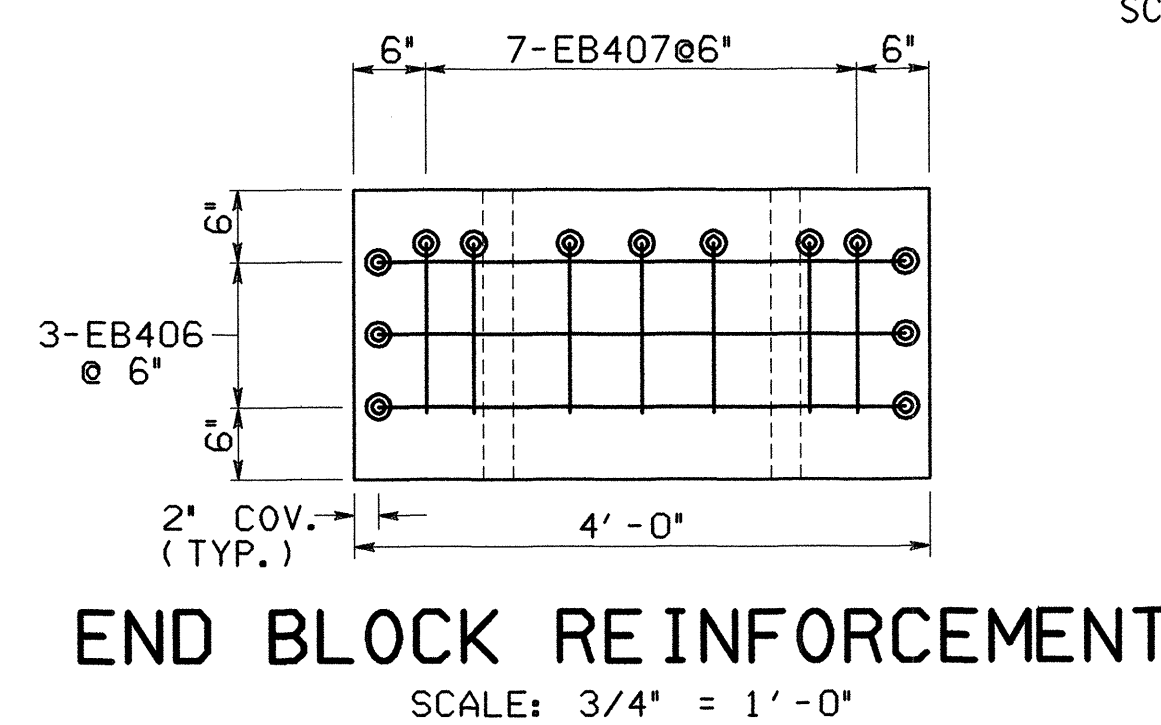


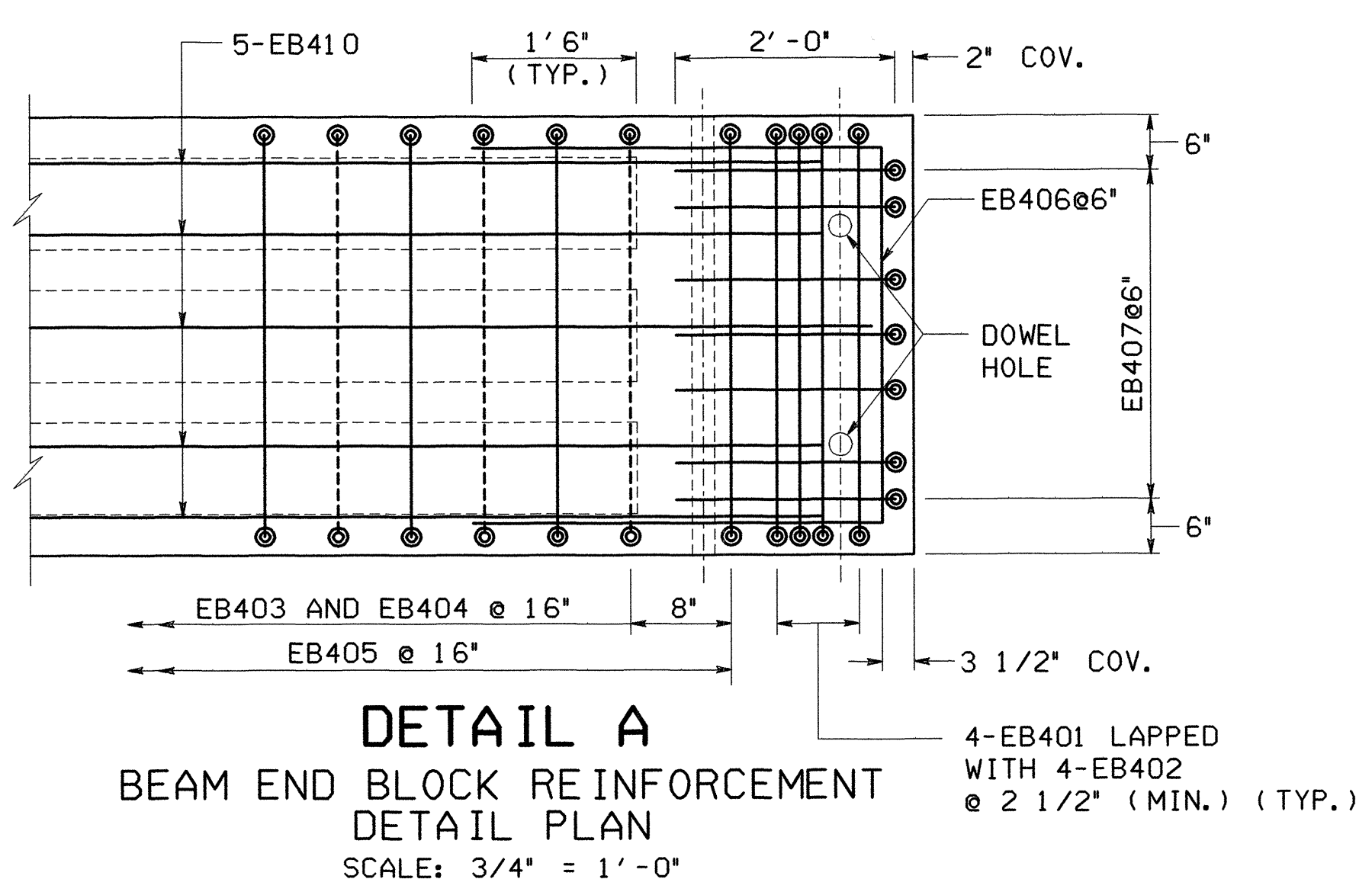
IN CHARGE OF *Jessie Williams*
 DESIGNED BY *John Shumaker*
 DRAFTED BY *William C. McFarland*
 CHECKED BY



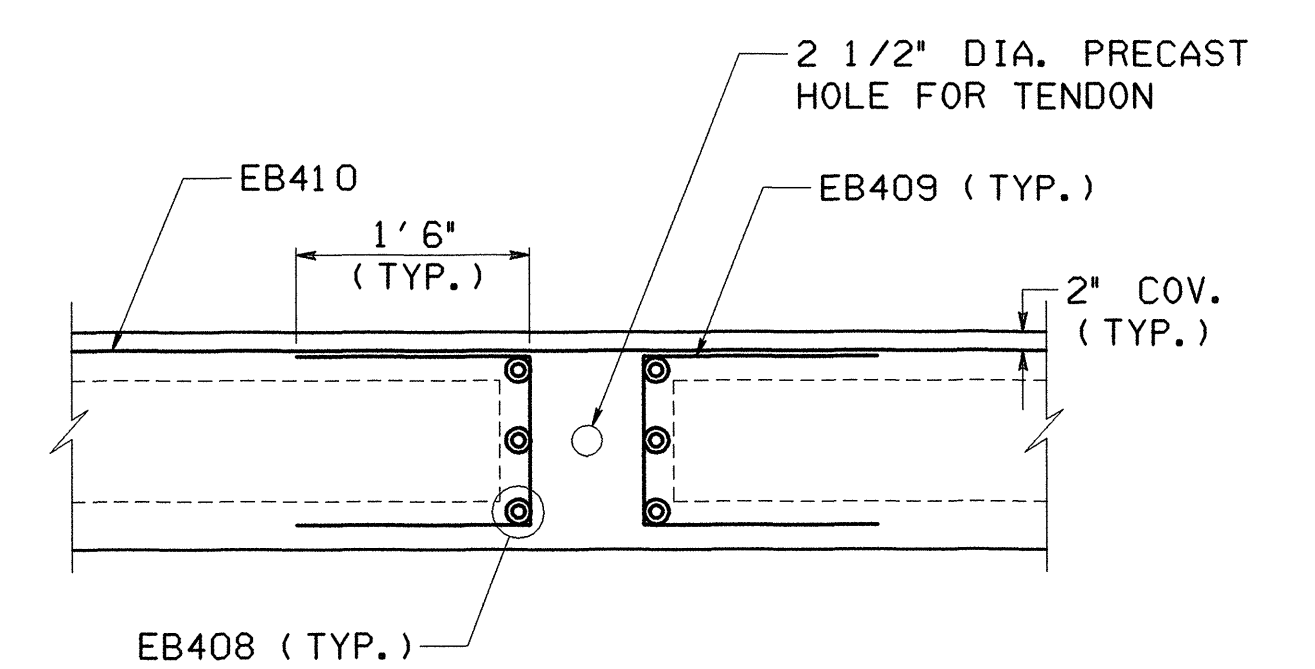
BEAM LAYOUT
SCALE: 1/4" = 1'-0"



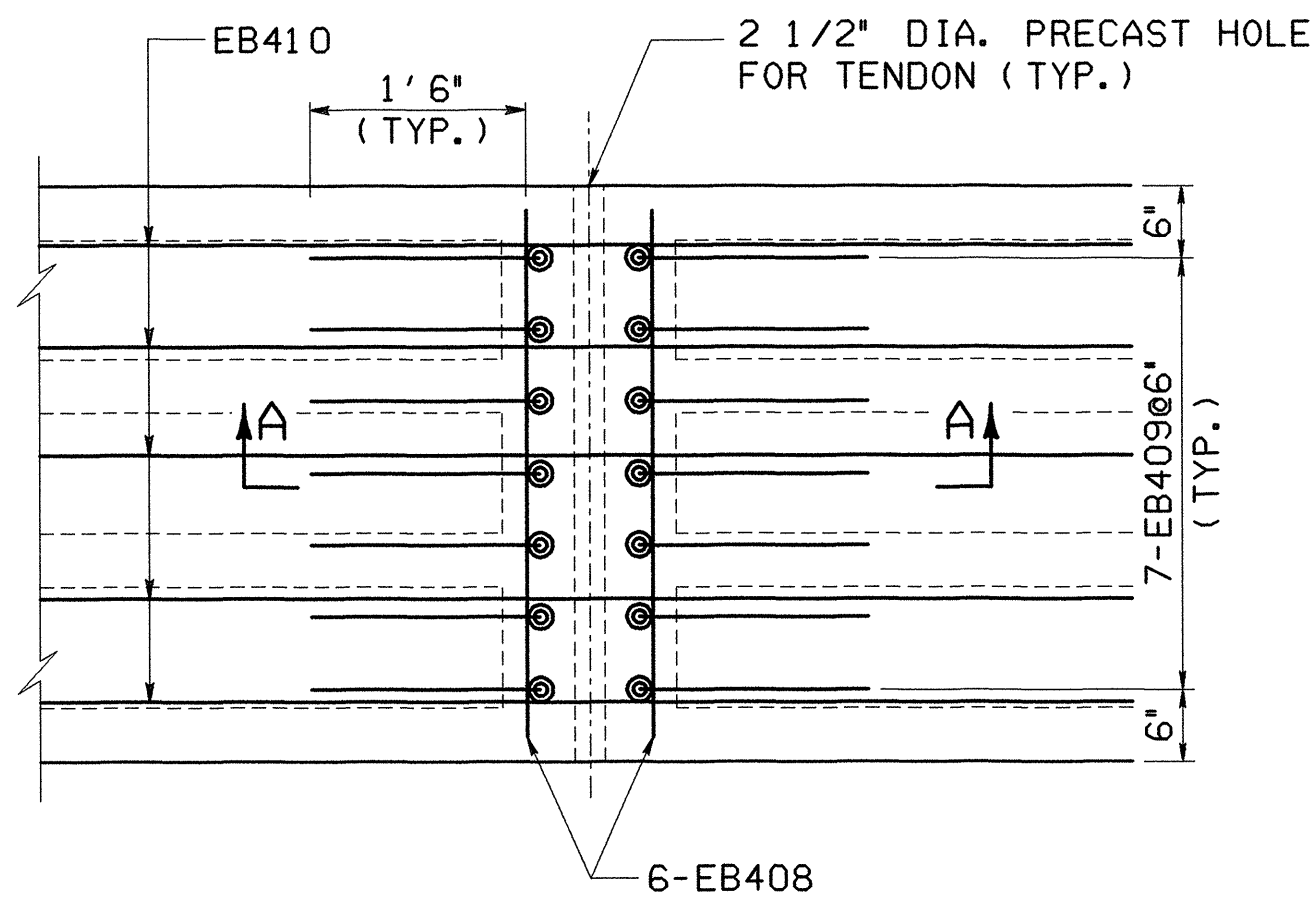
END BLOCK REINFORCEMENT
SCALE: 3/4" = 1'-0"



DETAIL A
BEAM END BLOCK REINFORCEMENT
DETAIL PLAN
SCALE: 3/4" = 1'-0"



SECTION A-A
SCALE: 3/4" = 1'-0"



REINFORCEMENT PLAN
DIAPHRAGM DETAILS
SCALE: 3/4" = 1'-0"

RE-ADVERTISED
PROJECT NO.

BHO 1445 (28)

Greenman-Pedersen CONSULTING ENGINEERS GPI <small>55 Monument Ave. Bennington, VT. 05201</small>	LINCOLN BRIDGE 13 OVER COTA BROOK		
	PRESTRESSED VOIDED SLAB DETAILS		
DRAWING NO. PS-1	SCALE: AS SHOWN	DATE: DEC., 1999	SHEET NO. 7 OF 13