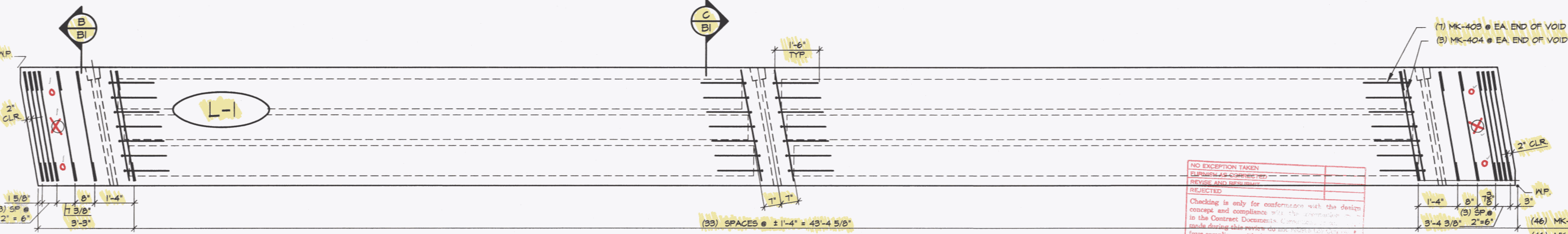
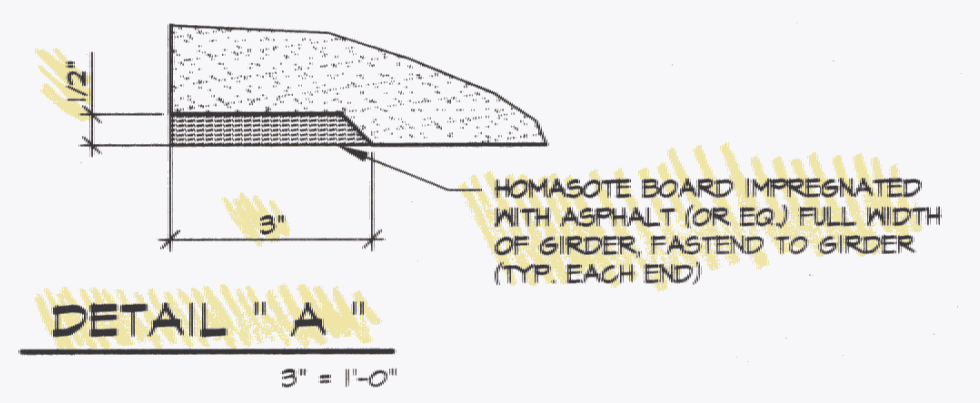
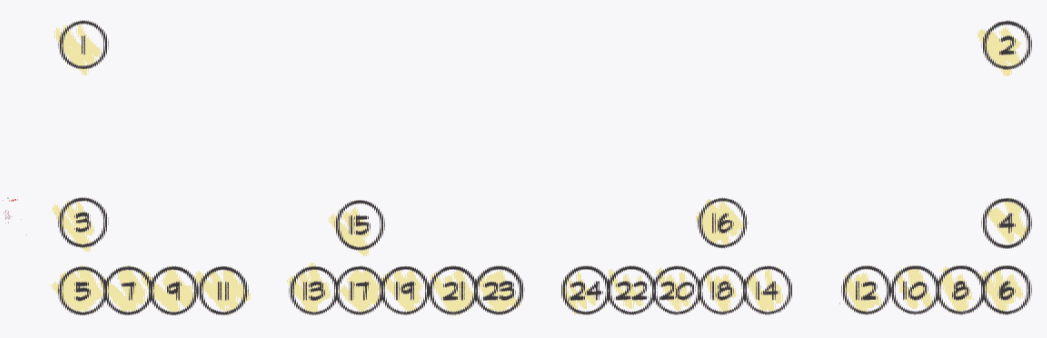


**1 DIMENSIONAL PLAN**  
BI  
1" = 1'-0"



**2 REINFORCING PLAN**  
BI  
1" = 1'-0"



**DETENSIONING SCHEDULE**  
N.T.S.

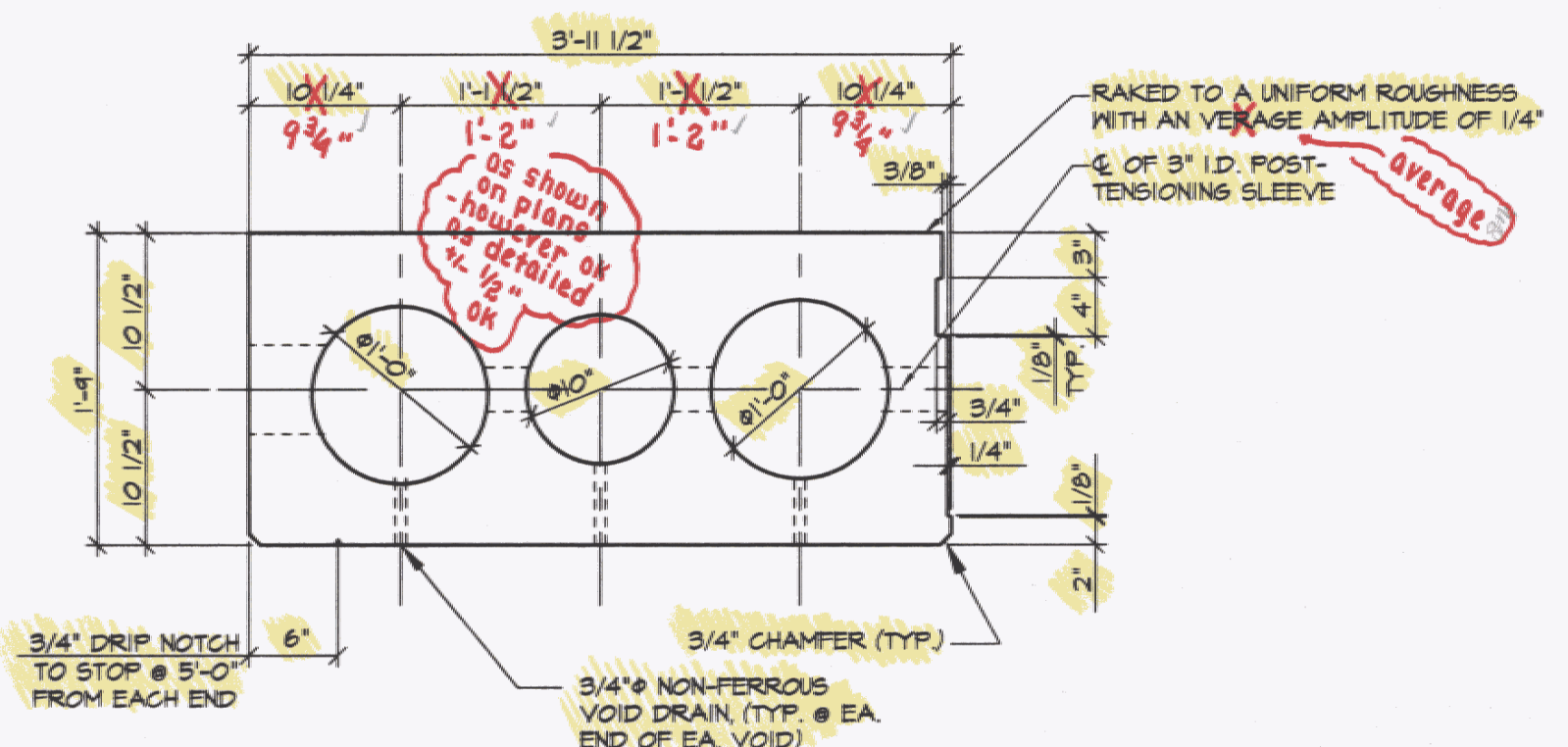
NO EXCEPTION TAKEN  
EXEMPTED AS CORRECTED PER  
REVISED AND REDESIGNED

Checked in only for conformance with the design concept and compliance with the requirements in the Contract Documents. Compliance with the Code is the responsibility of the Contractor. The Contractor is responsible for confirming and correlating all quantities and dimensions, selecting fabrication processes and techniques of construction, coordinating his work with that of all other trades, and performing his work in a safe and satisfactory manner.

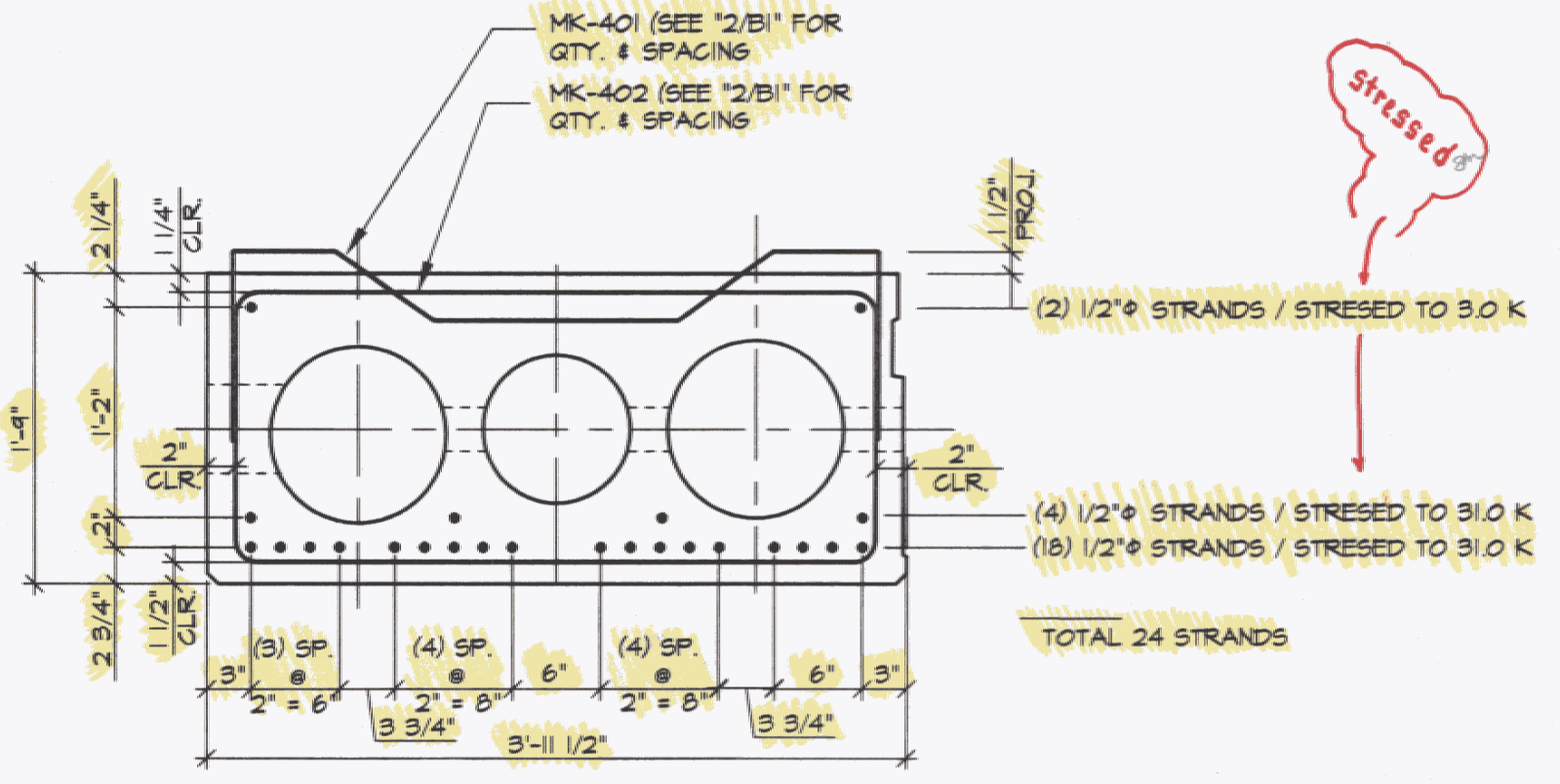
LAWES CONSULTING ENGINEERS, INC.  
Date: \_\_\_\_\_ By: \_\_\_\_\_

**SHOP NOTE:**  
ADJUST REINFORCING AS REQD. TO CLEAR POST-TENSIONING AND ANCHOR SLEEVES.

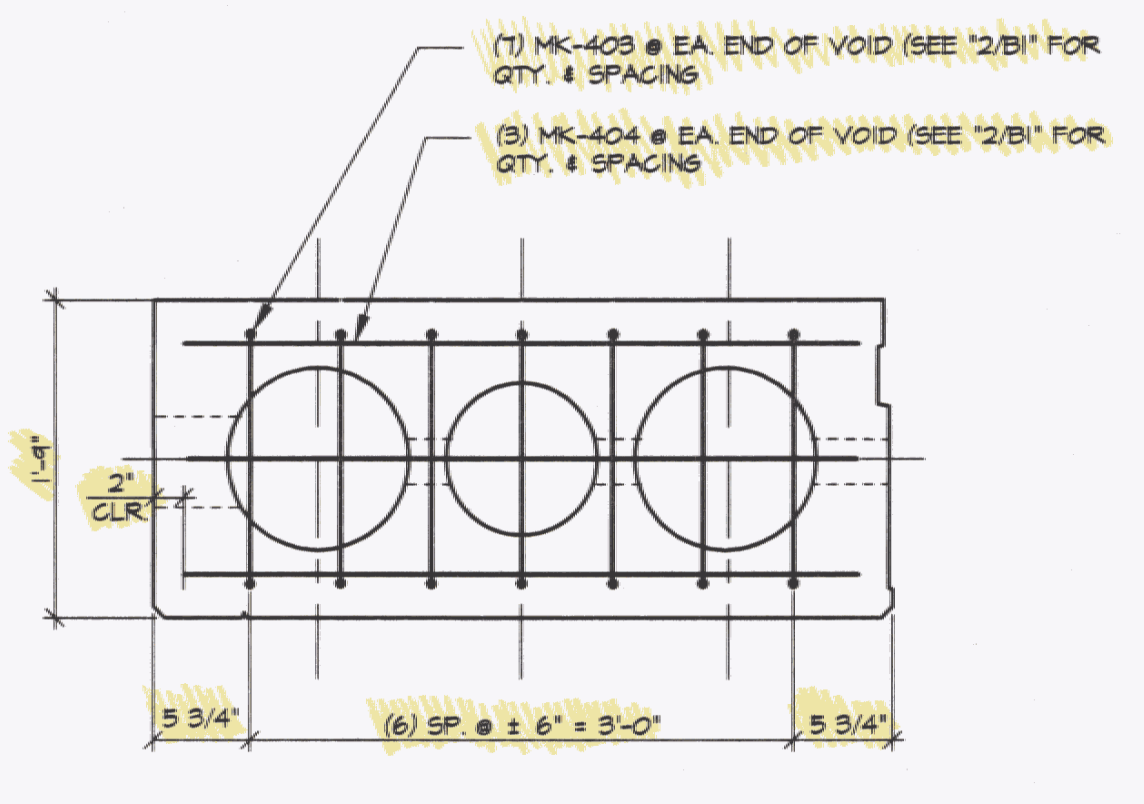
**RECEIVED**  
SEP - 9 1998  
LAWES CONSULTING ENGINEERS, INC.



**A DIMENSIONAL SECTION**  
BI  
1" = 1'-0"



**B REINFORCING SECTION**  
BI  
1" = 1'-0"



**C REINFORCING SECTION @ END OF VOID**  
BI  
1" = 1'-0"

MARK:	L-1	QTY:	2	WT./TONS:	16.28	CU. YDS.:	8.04
MATERIAL LIST / UNIT							
ITEM	MARK	DESCRIPTION	QTY.				
1	401	#4 BENT BAR (EPOXY COATED)	46				
2	402	#4 BENT BAR (EPOXY COATED)	46				
3	403	#4 BENT BAR (EPOXY COATED)	28				
4	404	#4 BENT BAR (EPOXY COATED)	12				
5							
6							
7							
8							
9							
10		10' ø x 21'-1 1/4" VOID	2				
11		12' ø x 21'-1 1/4" VOID	4				
12							
13							
14							
15							
16							
17							
18		3/4" ø NON-FERROUS VOID DRAIN	12				
19		1/2" ø STRAND LIFTING LOOPS (SET OF 2 LOOPS)	4				
20							

	<b>STATE OF VERMONT AGENCY OF TRANSPORTATION</b>	DRAWN: S. PETROSYAN DESIGNED: _____ CHECKED: _____ APPROVED: _____	<b>J.P. CARRARA &amp; SONS INC.</b> <small>Precast &amp; Prestress Manufacturer          RTE. 116, MIDDLEBURY, VERMONT 05753          Phone: (802) 388-4361          Fax: (802) 388-9010</small>	Contractor Name: <b>WINTERSET, INC.</b> BOX 968 LYNDONVILLE, VT 05851	Project Name: <b>TOWN OF LOWELL          ROUTE TH2, BRIDGE # 9          TOWN OF LOWELL, VT</b>	SCALE: JOB #: NOTED 23065-98 DATE: SHEET #: 8-9-98 <b>B 1</b>
<b>P/S VOIDED SLAB DETAILS</b>						