

646.46 DURABLE 600 mm STOP BAR (TYPE I TAPE)

STA. I+472.0 LT

646.66 TEMPORARY 600 mm STOP BAR

STA. I+472.0 LT

675.50 REMOVING SIGNS

AS SHOWN - 4

REFER TO BOOK IA PAGE 58

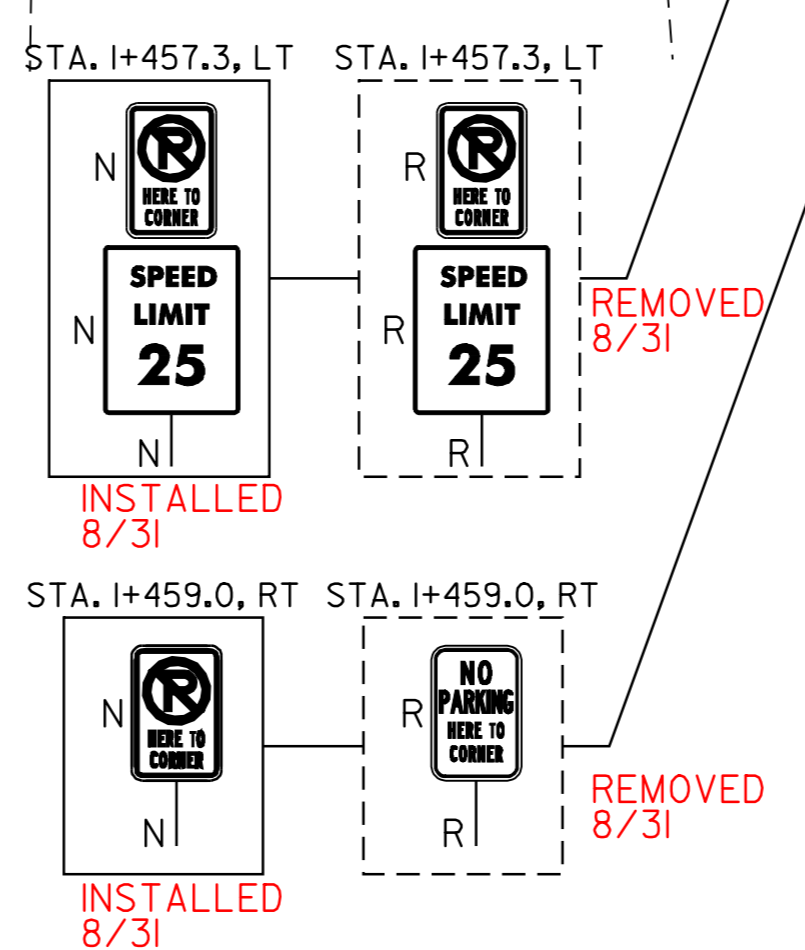
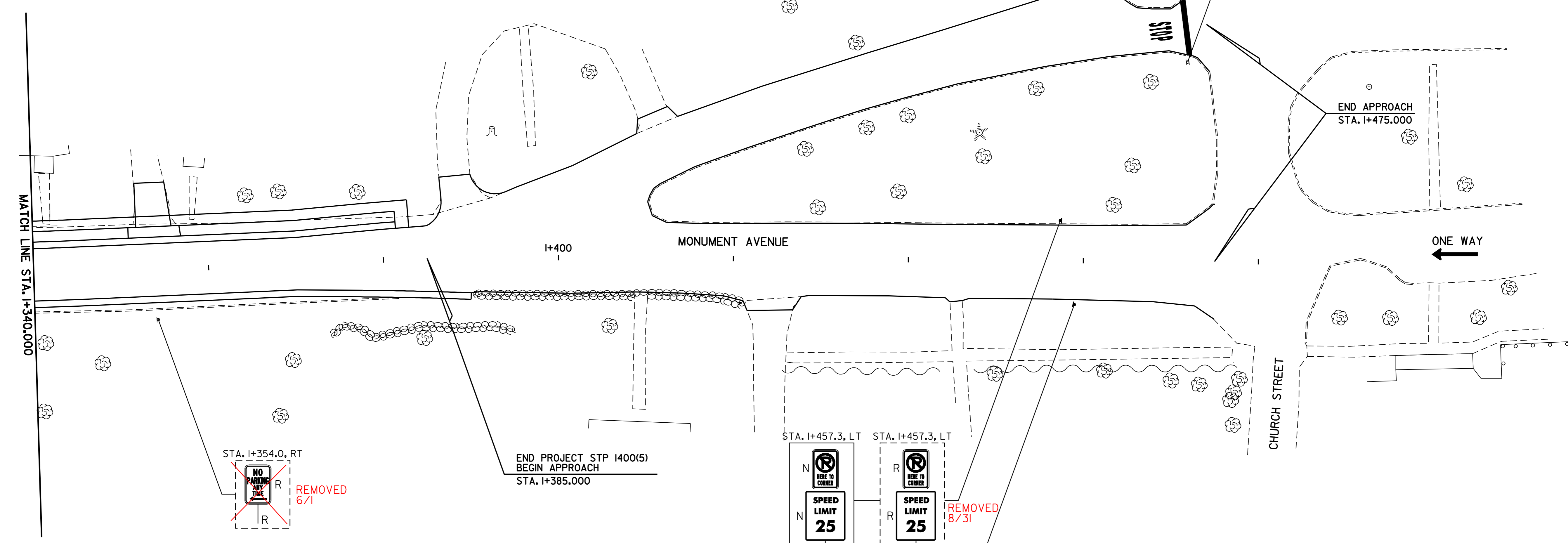
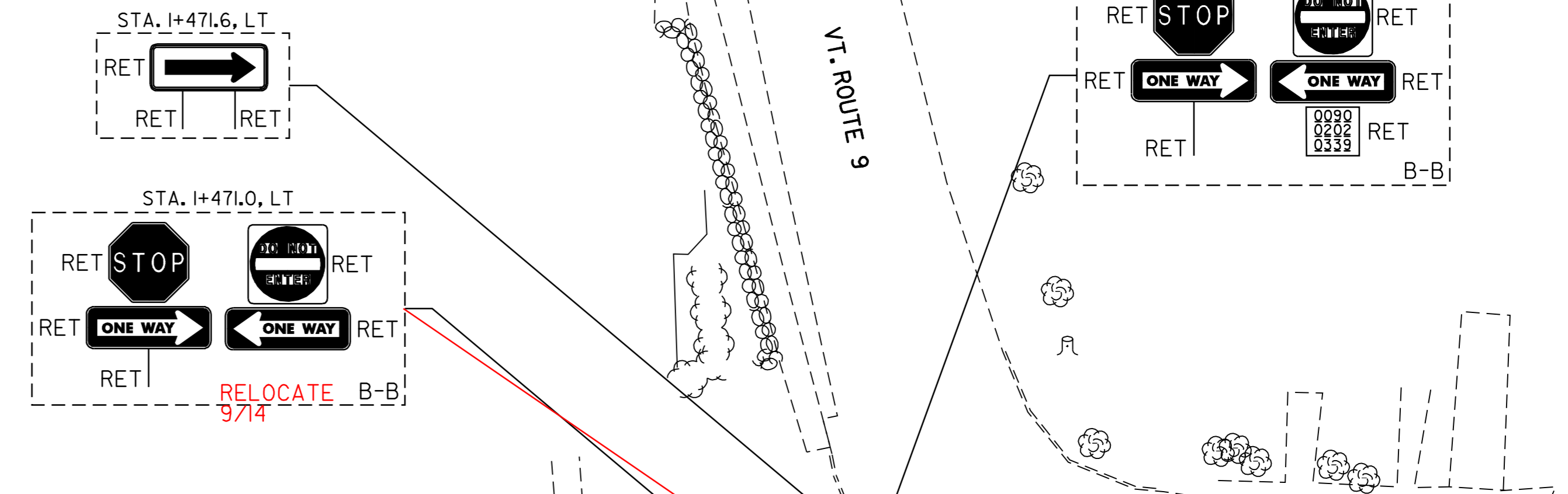
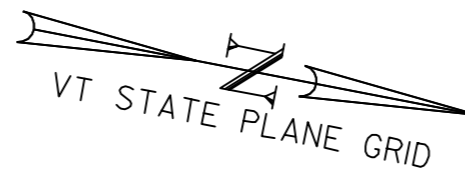
646.50 DURABLE LETTER OR SYMBOL (TYPE I TAPE)

STA. I+469.0 LT (S,T,O,P)

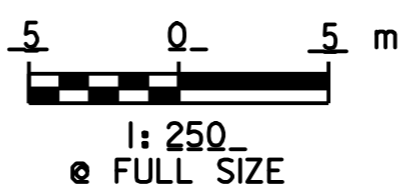
646.70 TEMPORARY LETTER OR SYMBOL

STA. I+469.0 LT (S,T,O,P)

675.60 ERECTING SALVAGED SIGN
ARROW SIGN @ INTERSECTION W/ RTE 9
REFER TO BOOK IA PAGE 60



SIGN LEGEND
 R= REMOVE
 S= SALVAGE
 N= NEW
 RET= RETAIN
 B-B= BACK TO BACK
 EXISTING= _____
 NEW= _____
 ① = RETURN TO VILLAGE OF OLD BENNINGTON



SIGNING, STRIPING, AND PLAN SHEET #3

VERMONT AGENCY OF TRANSPORTATION

CHA CLOUGH, HARBOUR & ASSOCIATES
 ENGINEERS, SURVEYORS, PLANNERS & LANDSCAPE ARCHITECTS
 110 BROADWAY ALBANY, NEW YORK, 12208

PROJECT NAME: OLD BENNINGTON
 PROJECT NUMBER: STP 1400(5)

FILE NAME: /pave/97d228/p97d228.dgn
 PROJECT LEADER: J.E.K.
 DESIGNED BY: J.S.P.
 PLOT DATE: 05-MAY-2008 14:00
 DRAWN BY: C.A.K.
 CHECKED BY: D.E.G.
 SHEET 23 OF 46

DATUM
 VERTICAL: N/A
 HORIZONTAL: NAD 83 (1996)