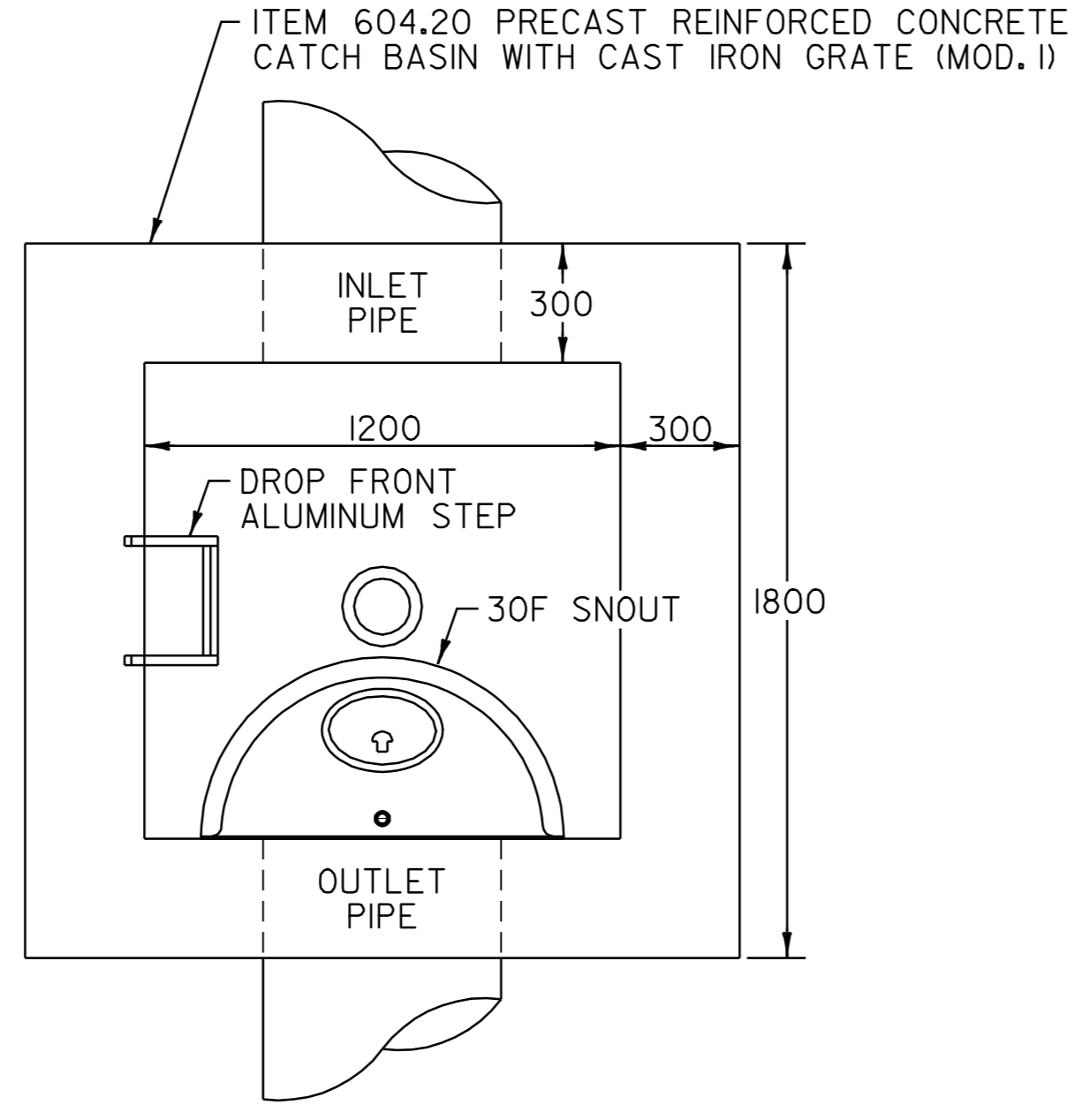
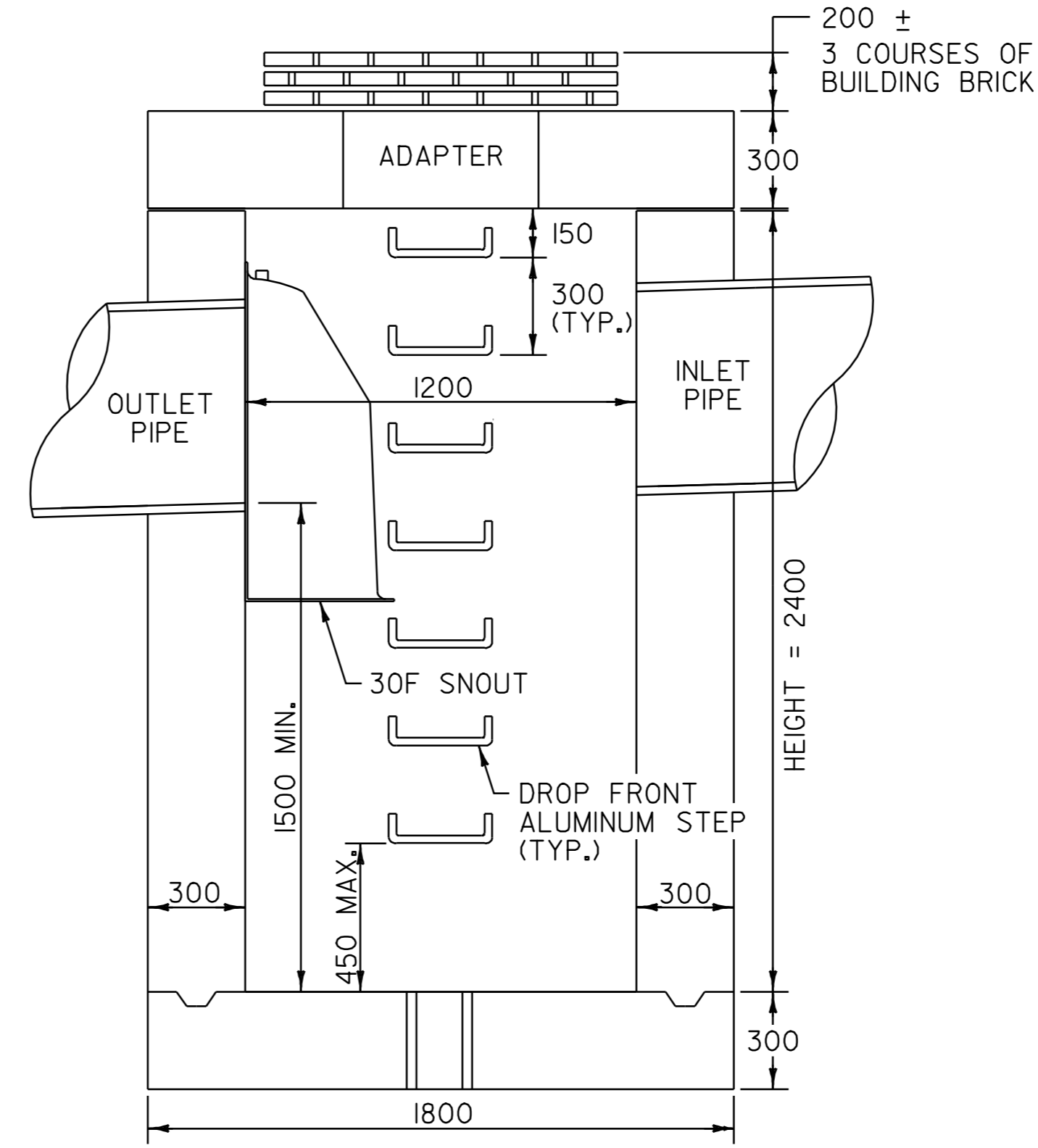


**FRONT ELEVATION**



**PLAN**

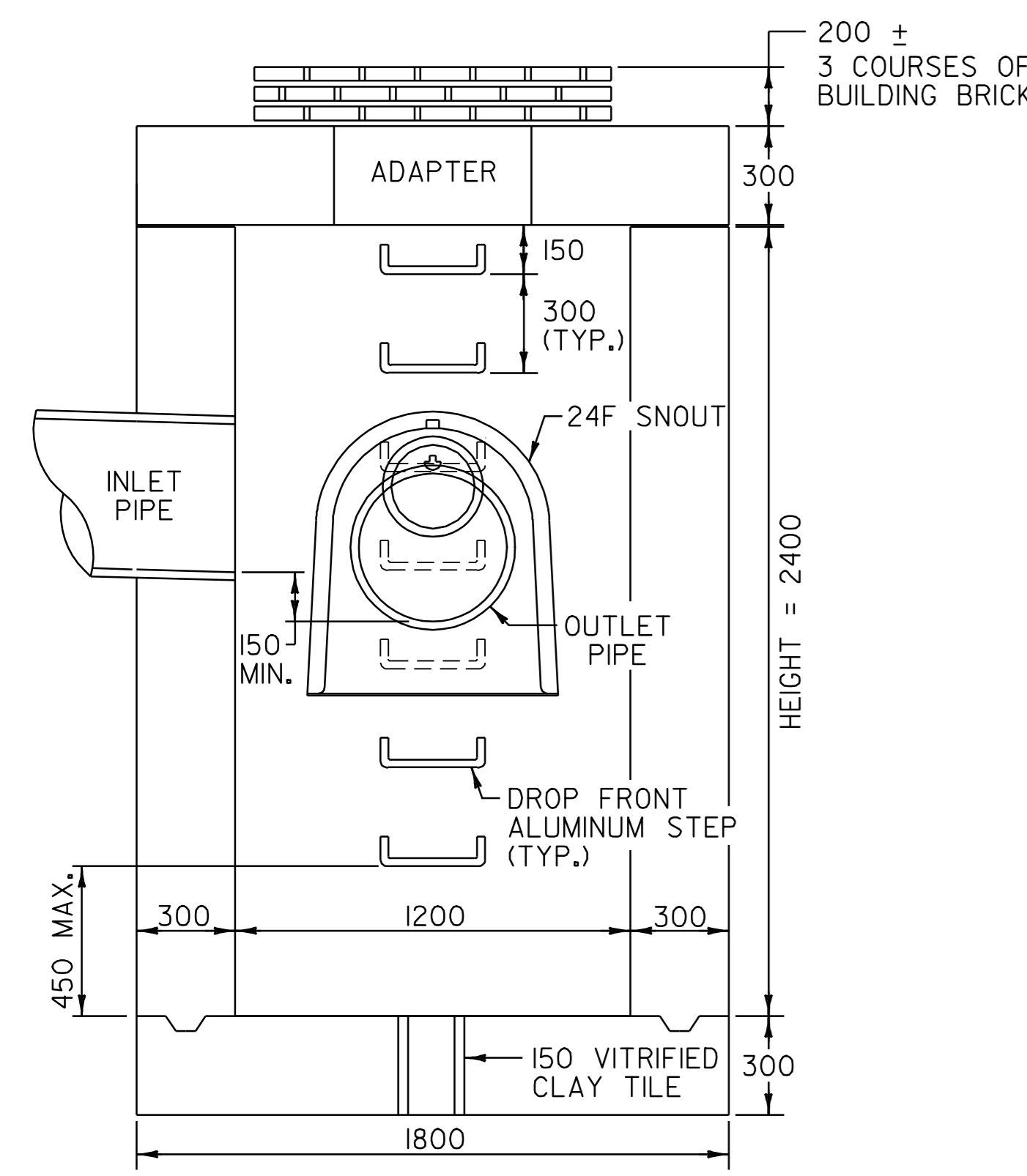


**SIDE ELEVATION**

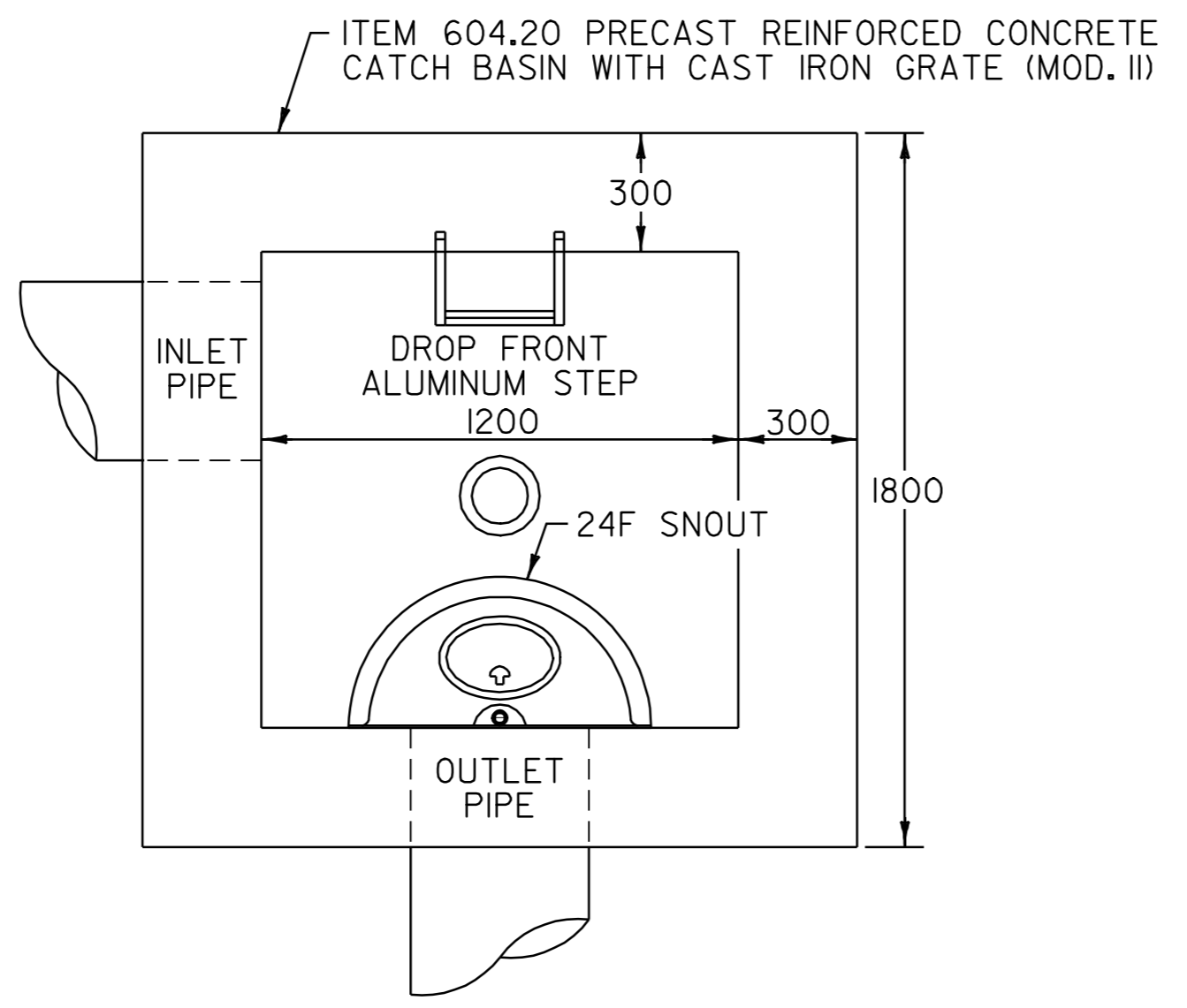
**PRECAST REINFORCED CONCRETE CATCH BASIN WITH "30F SNOUT" SYSTEM**

N.T.S.  
STA. I+052.2 RT

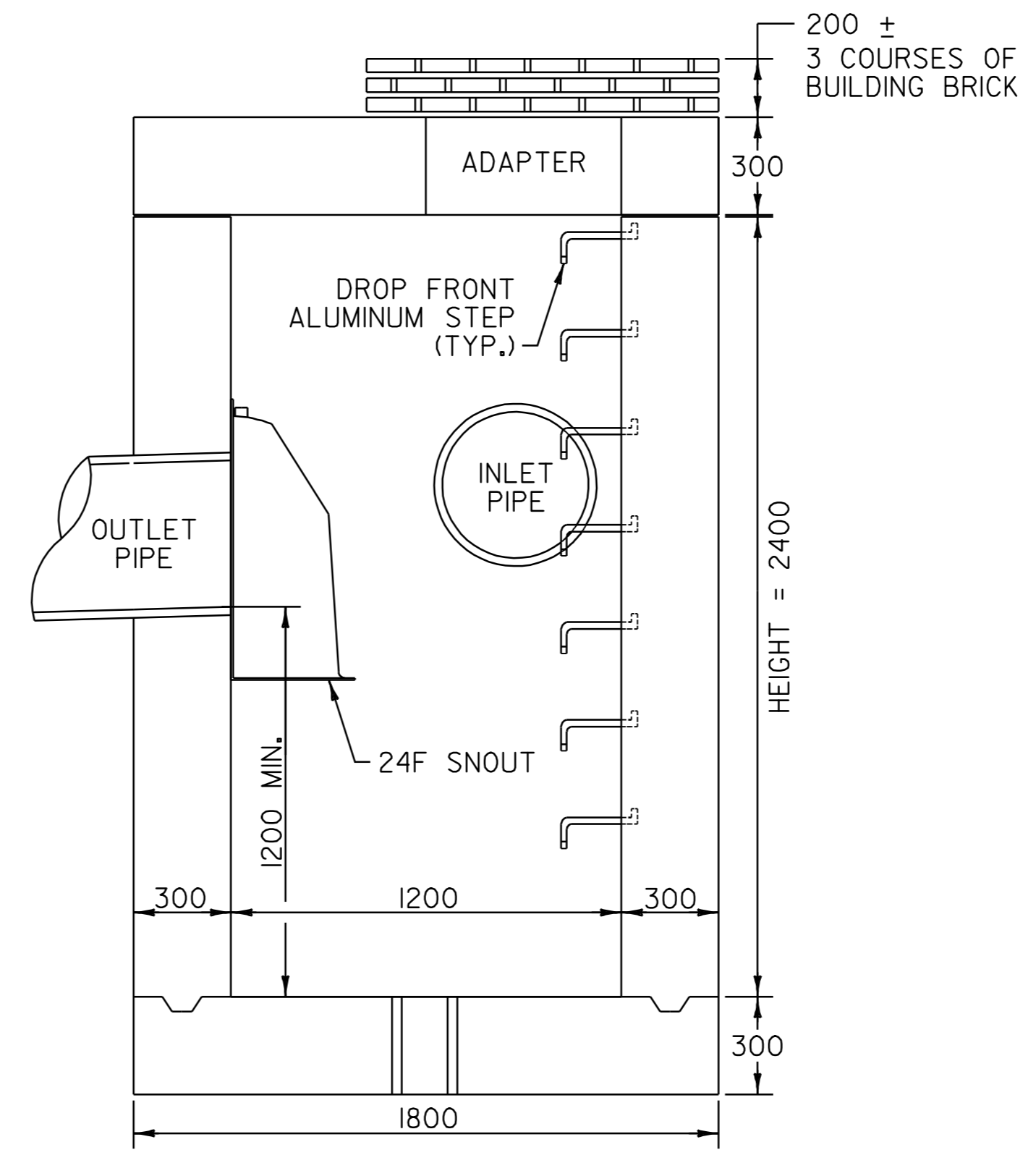
- NOTES:
- SEE VAOT STANDARD D-13M FOR REINFORCING STEEL SCHEDULE AND NOTES, ADAPTER DETAILS, AND DROP FRONT ALUMINUM STEP DETAILS FOR CONCRETE CATCH BASINS.
  - MORTAR, TYPE II SHALL BE USED FOR JOINT FILLER AND LAYING OF BRICKS.
  - THREE COURSES OF BUILDING BRICK SHALL BE PLACED ON TOP OF CONCRETE ADAPTER PRIOR TO PLACING CONCRETE SEAT TO FACILITATE CHANGING ELEVATION OF CATCH BASIN.
  - ADAPTER SHALL BE PLACED ON CATCH BASIN SO AS TO PROVIDE DIRECT ACCESS TO STEPS.
  - ITEM 604.20 PRECAST REINFORCED CONCRETE CATCH BASIN WITH CAST IRON GRATE (MOD. I) SHALL INCLUDE PAYMENT FOR THE INSTALLATION OF A 30F SNOOT SYSTEM. ITEM 604.20 (MOD. II) SHALL INCLUDE PAYMENT FOR THE INSTALLATION OF A 24F SNOOT SYSTEM.
  - SEE DETAILS ON THIS SHEET FOR 24F SNOOT AND 30F SNOOT SYSTEM DIMENSIONS, SPECIFICATIONS AND INSTALLATION DETAILS.



**FRONT ELEVATION**



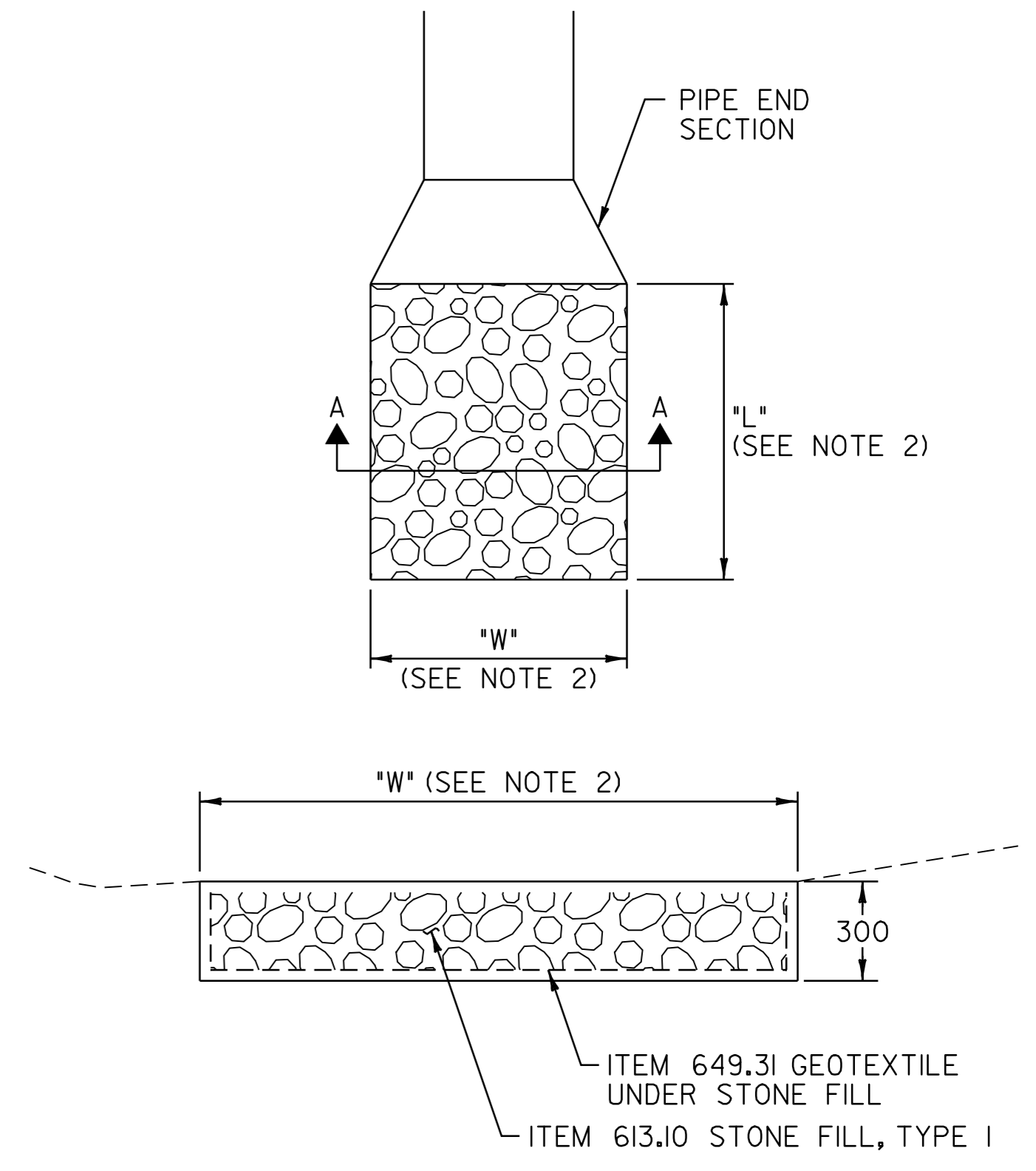
**PLAN**



**SIDE ELEVATION**

**PRECAST REINFORCED CONCRETE CATCH BASIN WITH "24F SNOUT" SYSTEM**

N.T.S.  
STA. I+227.0 LT  
STA. I+233.4 RT



**SECTION A-A**

- NOTES:
- STONE PADS SHALL BE CONSTRUCTED AT PIPE OUTLETS AS SHOWN IN THE PLANS OR AS DIRECTED BY THE RESIDENT ENGINEER.
  - THE DIMENSIONS OF THE STONE PADS VARY, SEE THE PLAN SHEETS FOR DIMENSIONS.

**STONE PADS**

N.T.S.

**MISC. DETAIL SHEET # 2**

**VERMONT AGENCY OF TRANSPORTATION**



PROJECT NAME: <u>OLD BENNINGTON</u>	PLOT DATE: 05-MAY-2008 14
PROJECT NUMBER: <u>STP 1400(5)</u>	DRAWN BY: <u>C.A.K.</u>
FILE NAME: /pave/97d228/p97d228.dgn	CHECKED BY: <u>D.E.G.</u>
PROJECT LEADER: <u>J.P.K.</u>	SHEET <u>10</u> OF 48
DESIGNED BY: <u>J.S.P.</u>	
<b>p97d228md2.i</b>	