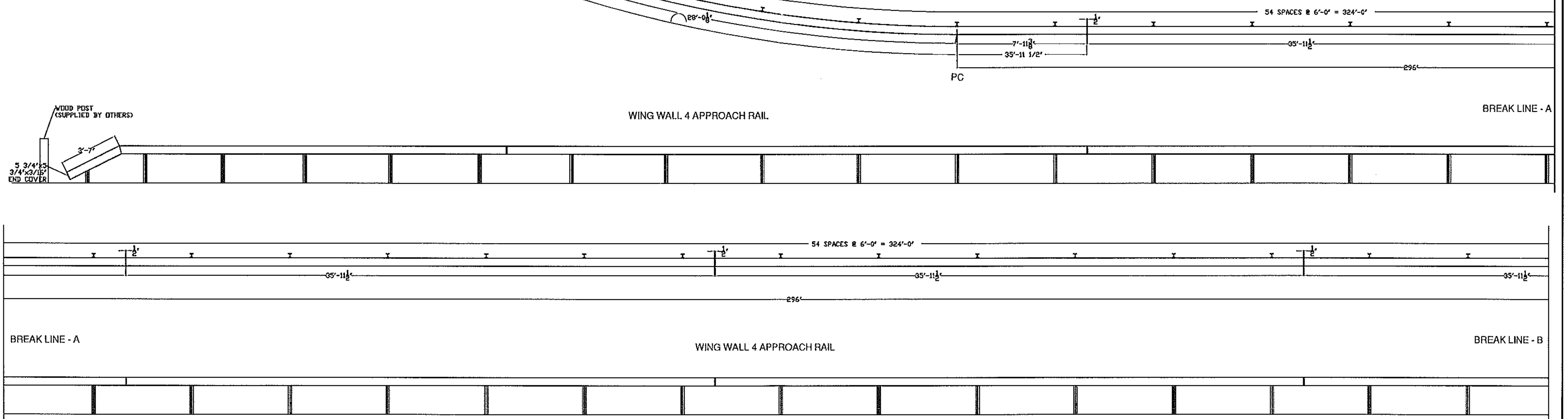
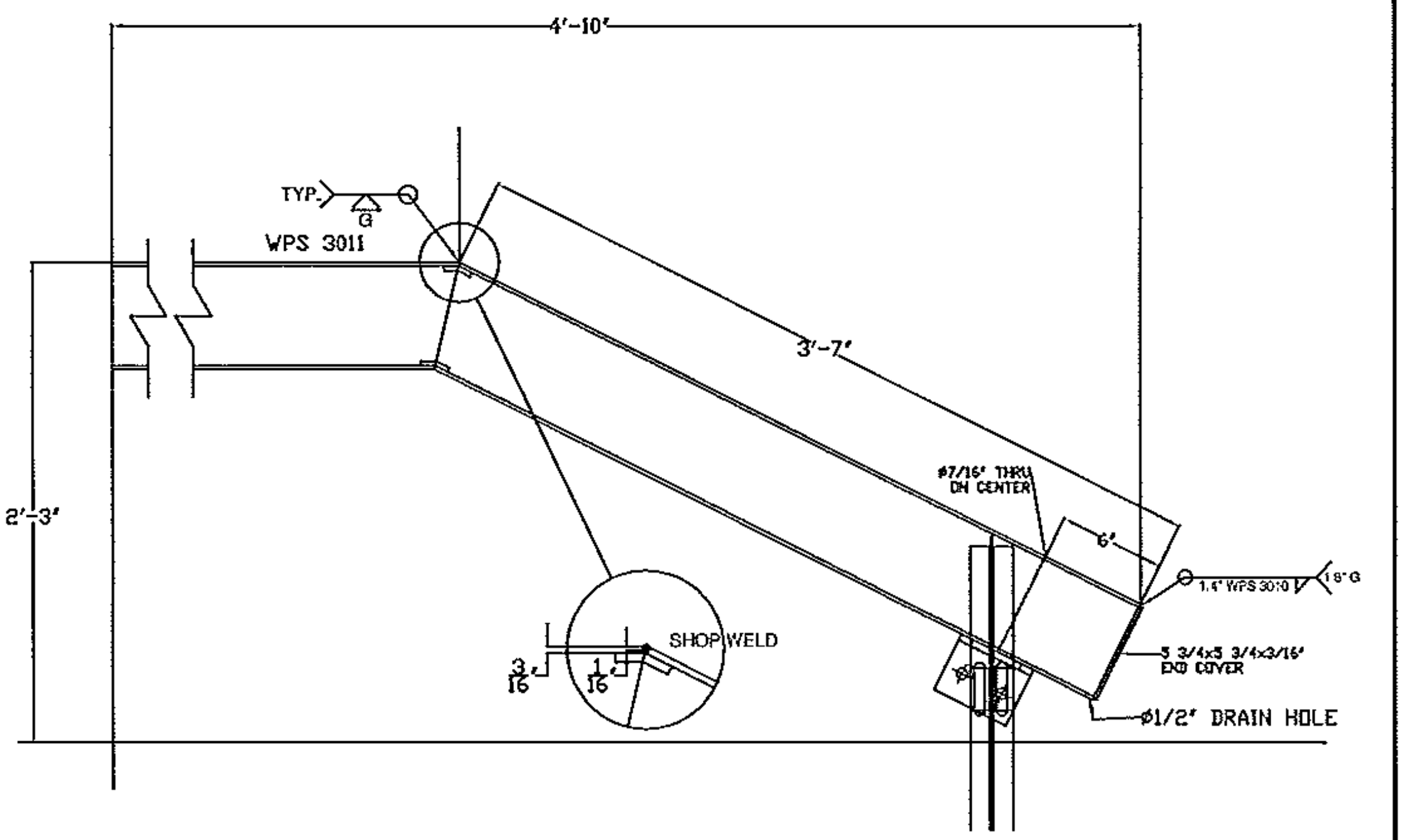


BILL OF MATERIALS - WINGWALL 4			
DET. #	QTY	DESCRIPTION	MATERIAL
1	66	S3x5.7 POST @ 5'-3"	ASTM A36
2	1	S3x5.7 POST @ 3'-8"	ASTM A36
3	1	6"x6"x3/16" BRIDGE RAIL CONNECTOR @ 2'-8 1/4"	ASTM A500 Gr B
4	8	6"x6"x3/16" RAILS @ 35'-11 1/2"	ASTM A500 Gr B
5	1	6"x6"x3/16" RAILS @ 19'-10 1/2"	ASTM A500 Gr B
6	1	6"x6"x3/16" RAILS @ 35'-11 1/2" W/ 78'-0" RAD. & STRAIGHT	ASTM A500 Gr B
7	1	6"x6"x3/16" RAIL @ 28'-11 3/8" W/ 78'-0" RAD, TURN DOWN & WELDED END CAP	ASTM A500 Gr B
8	4	5/8"x5 3/8" 2" BEND SPLICE @ 2'-4"	ASTM A36
9	18	5/8"x5 3/8" STRAIGHT STD. SPLICE @ 2'-3"	ASTM A36
10	67	3/8"x3 1/2"x5" SUPPORT ANGLE @ 4 1/2"	ASTM A36
11	88	Ø3/4"x2" HEX BOLT & WASHER (SPICE PLATES)	ASTM A325 & F436
12	67	Ø1/2"x1 1/2" HEX BOLT, NUT & WASHER (SUPPORT ANGLE TO POST)	ASTM A325, A563, & F436
13	67	Ø3/8"x7 1/2" HEX BOLT, NUT & (2) WASHERS (RAIL TO SUPPORT ANGLE)	ASTM A325, A563, & F436
14	4	Ø3/4"x6 1/2" HEX BOLT & FLAT WASHER (RAIL CONNECTOR TO END POST)	ASTM A325 & F436
15	11	DELINEATORS	ALUMINUM



Vermont Agency of Transportation

**RECEIVED**

CK'D BY David Peterson OK'D BY CAM

May 22, 2012

RESUBMIT APPROVED AS NOTED  
BY C. CARLSON DATE 6/1/12

ITEM #: 900.640-GUARD RAIL

GEN CONTR: F R LaFayette SHEET 3 OF 4

APPROVED BY:

**BOX BEAM GUARDRAIL DETAILS**

NEWPORT CITY, RAILROAD SQUARE, TH II (CLASS 2) BR01449 (25), BRIDGE No. 9  
COUNTY OF ORLEANS, STATE OF VERMONT

R	NO.	DATE	DESCRIPTION	BY	R	NO.	DATE	DESCRIPTION	BY
E					E				
V					V				

**ELDERLEE, INC.**  
OAKS CORNERS, NEW YORK 14518  
E-Mail: dlong@elderlee.com  
Tel: 315-789-6670 Fax: 315-789-6615

DRAWN	E.P.	5/4/12
CHECKED	D.L.	5/4/12
APPROVED	M.V.	.
SCALE	SCHEMATIC	
DRAWING NO. F R LaFayette - Newport City		