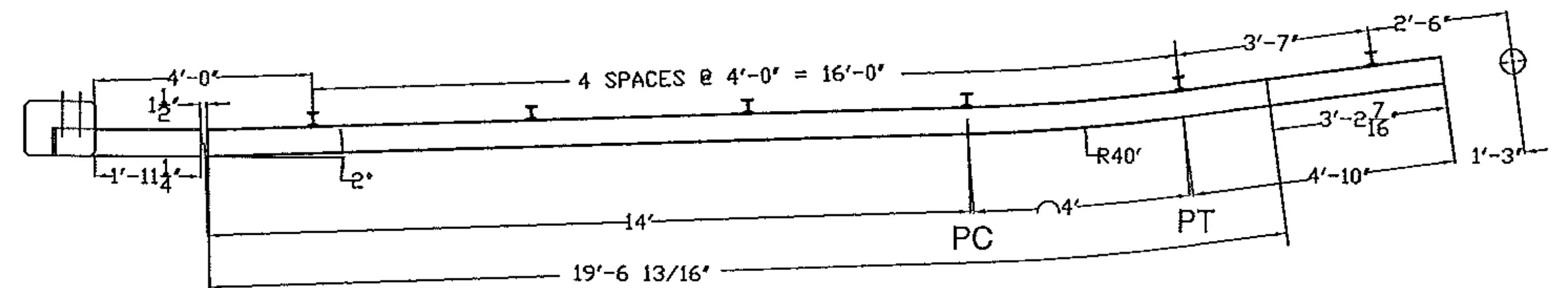
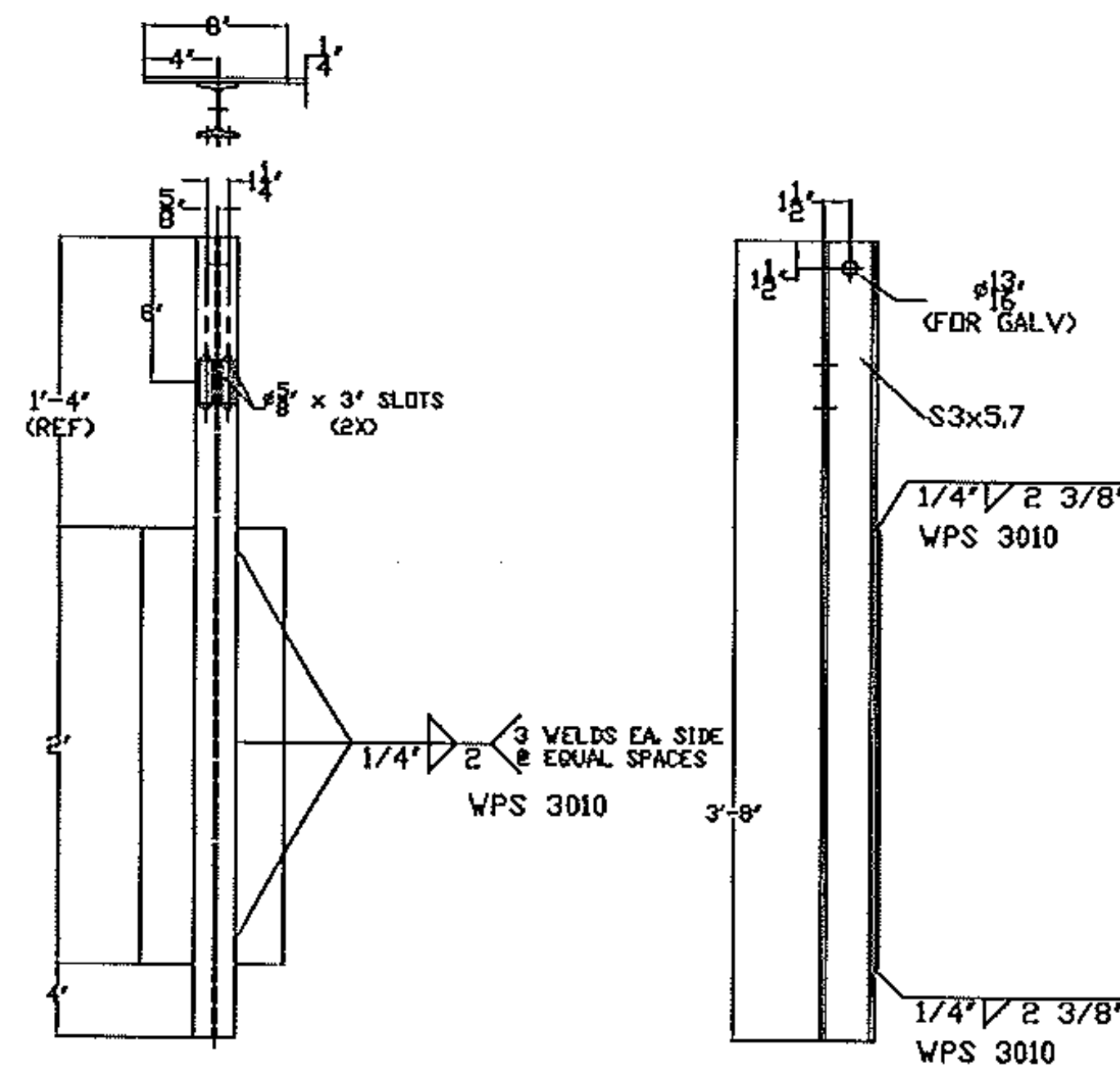
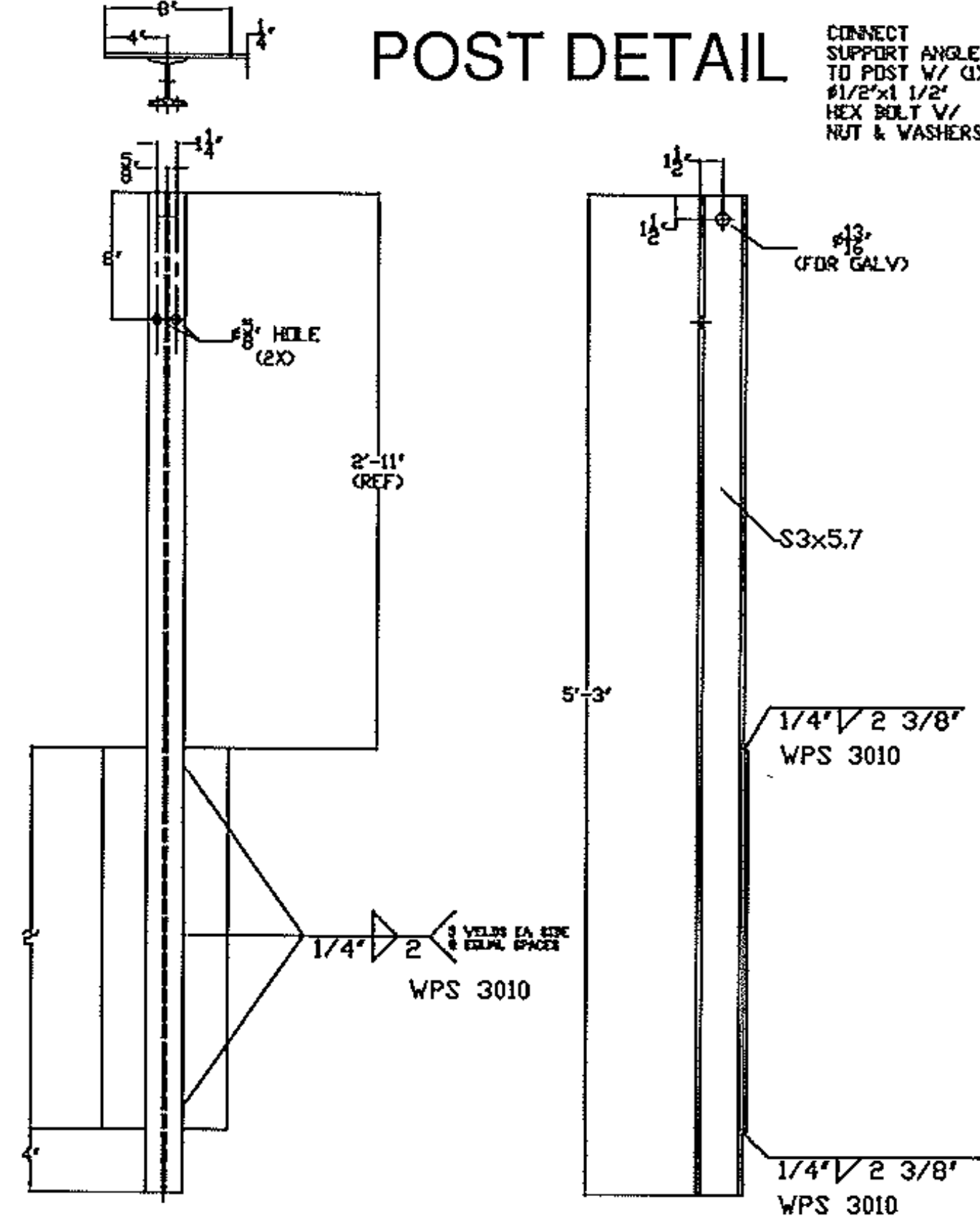
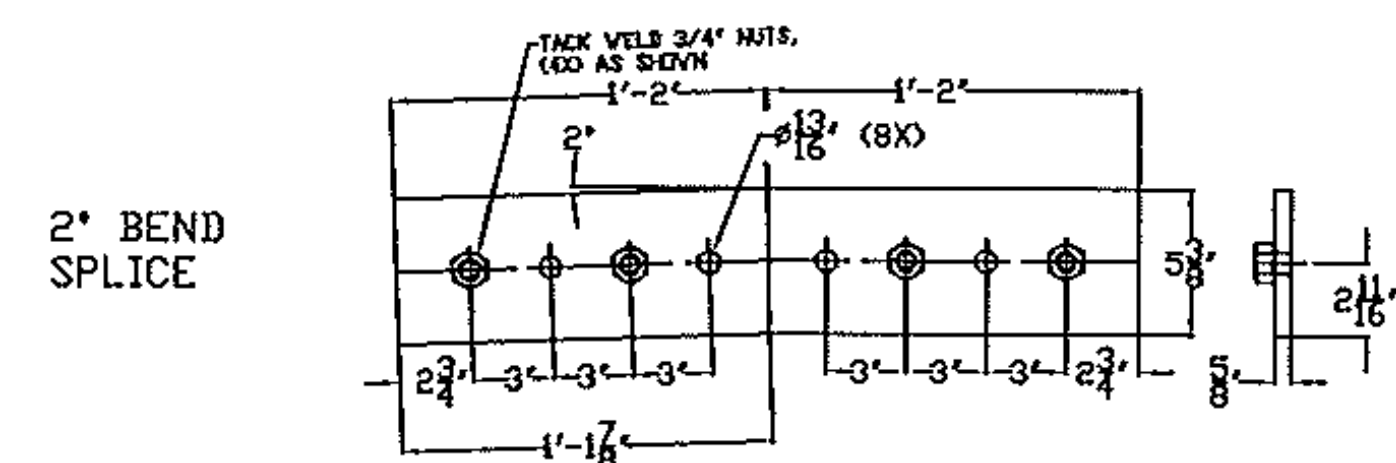
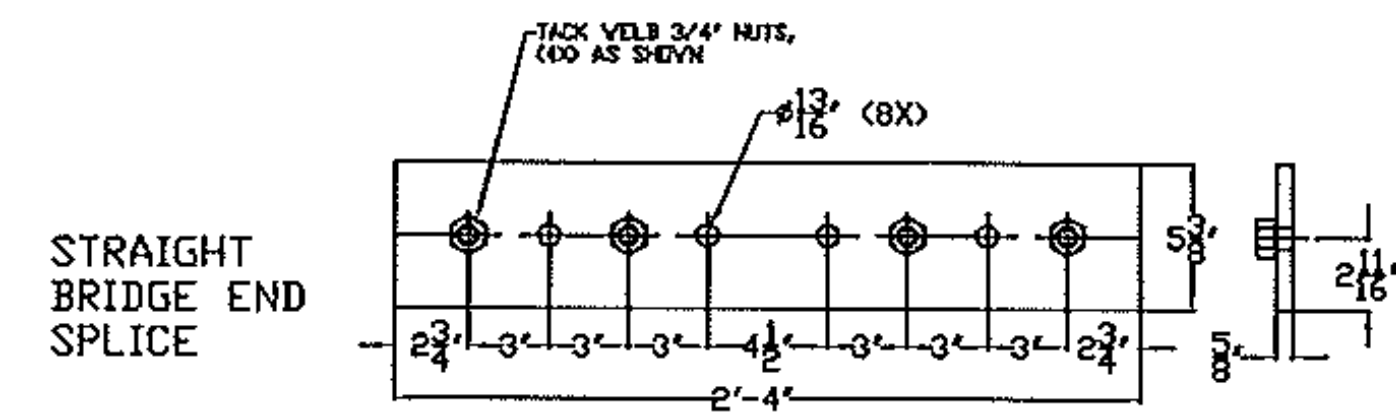
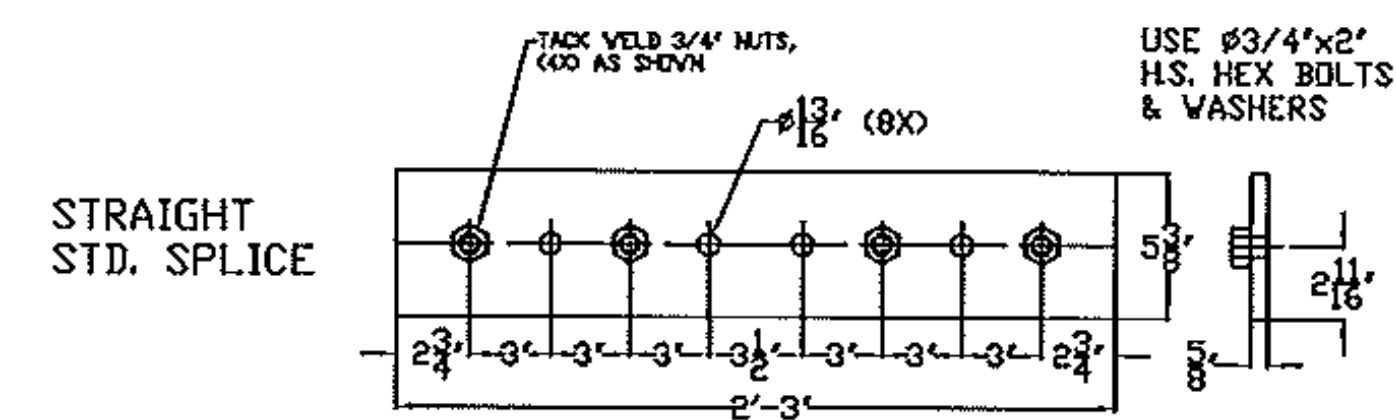
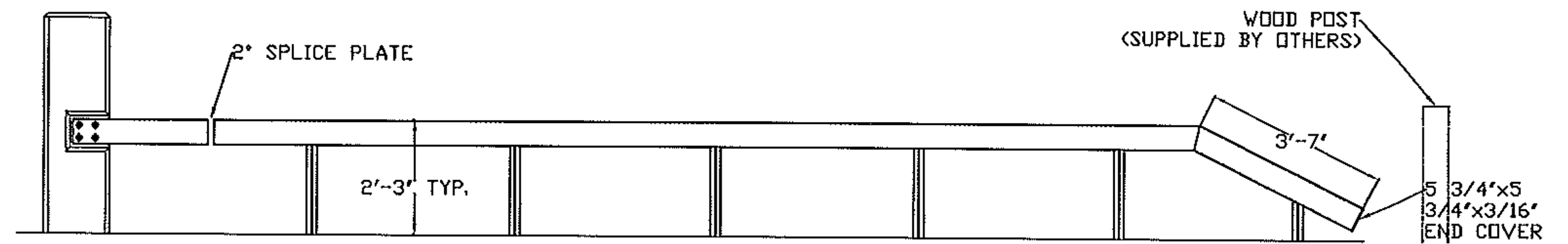
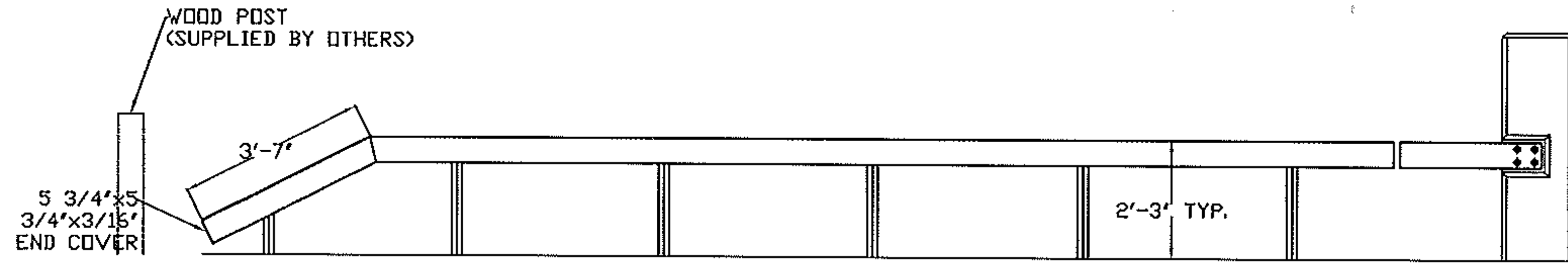


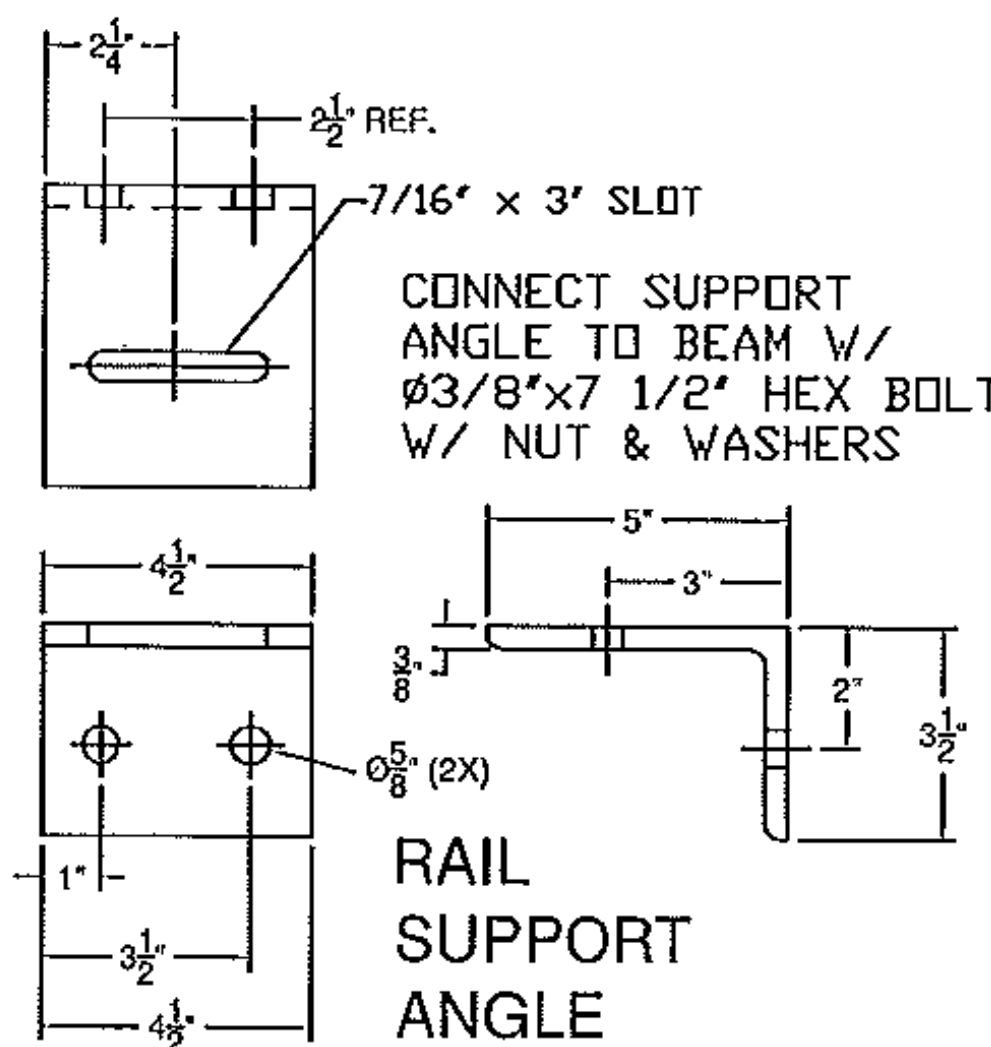
WING WALL 1 APPROACH RAIL



WING WALL 2 APPROACH RAIL



END POST DETAIL



DET. #	QTY	DESCRIPTION	MATERIAL
1	5	S3x5.7 POST @ 5'-3"	ASTM A36
2	1	S3x5.7 POST @ 3'-8"	ASTM A36
3	1	6"x6"x3/16" BRIDGE RAIL CONNECTOR @ 2'-8 1/4"	ASTM A500 Gr B
4	1	6"x6"x3/16" RAIL @ 19'-6 13/16" W/ TURN DOWN & WELDED END CAP	ASTM A500 Gr B
5	2	5/8"x5 3/8" 2" BRIDGE END SPLICE @ 2'-4"	ASTM A36
6	6	3/8"x3 1/2"x5" SUPPORT ANGLE @ 4 1/2"	ASTM A36
7	4	3/4"x2" HEX BOLT & WASHER (SPLICE PLATES)	ASTM A325 & F436
8	6	1/2"x1 1/2" HEX BOLT, NUT & WASHER (SUPPORT ANGLE TO POST)	ASTM A325, A563, & F436
9	6	3/8"x7 1/2" HEX BOLT, NUT & (2) WASHERS (RAIL TO SUPPORT ANGLE)	ASTM A325, A563, & F436
10	4	3/4"x6 1/2" HEX BOLT & FLAT WASHER (RAIL CONNECTOR TO END POST)	ASTM A325 & F436
11	1	DELINATOR	ALUMINUM

Vermont Agency of Transportation  
**RECEIVED**

DETA TO BE CHECK'D BY David Peterson OK'D BY CAM  
DOT 5

May 22, 2012

RESUBMIT APPROVED AS NOTED  
BY C. CARLSON DATE 6/1/12

SPECIAL NOTES:

- INSTALL DELINATOR EVERY 36 FEET @ SPLICES.
- SPECIAL PROVISION (BOX BEAM GUARDRAIL, PAINTED) SHALL BE PAINTED BLACK (CHIP COLOR # 27038) (PERTAINS TO 6x6x3/16" BOX BEAM GUARD RAIL ONLY)

DET. #	QTY	DESCRIPTION	MATERIAL
1	5	S3x5.7 POST @ 5'-3"	ASTM A36
2	1	S3x5.7 POST @ 3'-8"	ASTM A36
3	1	6"x6"x3/16" BRIDGE RAIL CONNECTOR @ 2'-8 1/4"	ASTM A500 Gr B
4	1	6"x6"x3/16" RAIL @ 19'-6 13/16" W/ 40" RAD., TURN DOWN & WELDED END CAP	ASTM A500 Gr B
5	2	5/8"x5 3/8" STRAIGHT BRIDGE END SPLICE @ 2'-4"	ASTM A36
6	6	3/8"x3 1/2"x5" SUPPORT ANGLE @ 4 1/2"	ASTM A36
7	8	3/4"x2" HEX BOLT & WASHER (SPLICE PLATES)	ASTM A325 & F436
8	6	1/2"x1 1/2" HEX BOLT, NUT & WASHER (SUPPORT ANGLE TO POST)	ASTM A325, A563, & F436
9	6	3/8"x7 1/2" HEX BOLT, NUT & (2) WASHERS (RAIL TO SUPPORT ANGLE)	ASTM A325, A563, & F436
10	4	3/4"x6 1/2" HEX BOLT & FLAT WASHER (RAIL CONNECTOR TO END POST)	ASTM A325 & F436
11	1	DELINATOR	ALUMINUM

ITEM #: 900.640-GUARD RAIL

GEN CONTR: F R LaFayette SHEET 1 OF 4

APPROVED BY:

**BOX BEAM GUARDRAIL DETAILS**

NEWPORT CITY, RAILROAD SQUARE, TH II (CLASS 2) BRO1449 (25), BRIDGE No. 9  
COUNTY OF ORLEANS, STATE OF VERMONT

R NO.	DATE	DESCRIPTION	BY	R NO.	DATE	DESCRIPTION	BY

**ELDERLEE, INC.**  
OAKS CORNERS, NEW YORK 14518  
E-Mail: dlong@elderlee.com  
Tel: 315-789-6670 Fax: 315-789-6615

DRAWN	E.P.	5/4/12
CHECKED	D.L.	5/4/12
APPROVED	M.V.	
SCALE	SCHEMATIC	
DRAWING NO. F R LaFayette - Newport City		