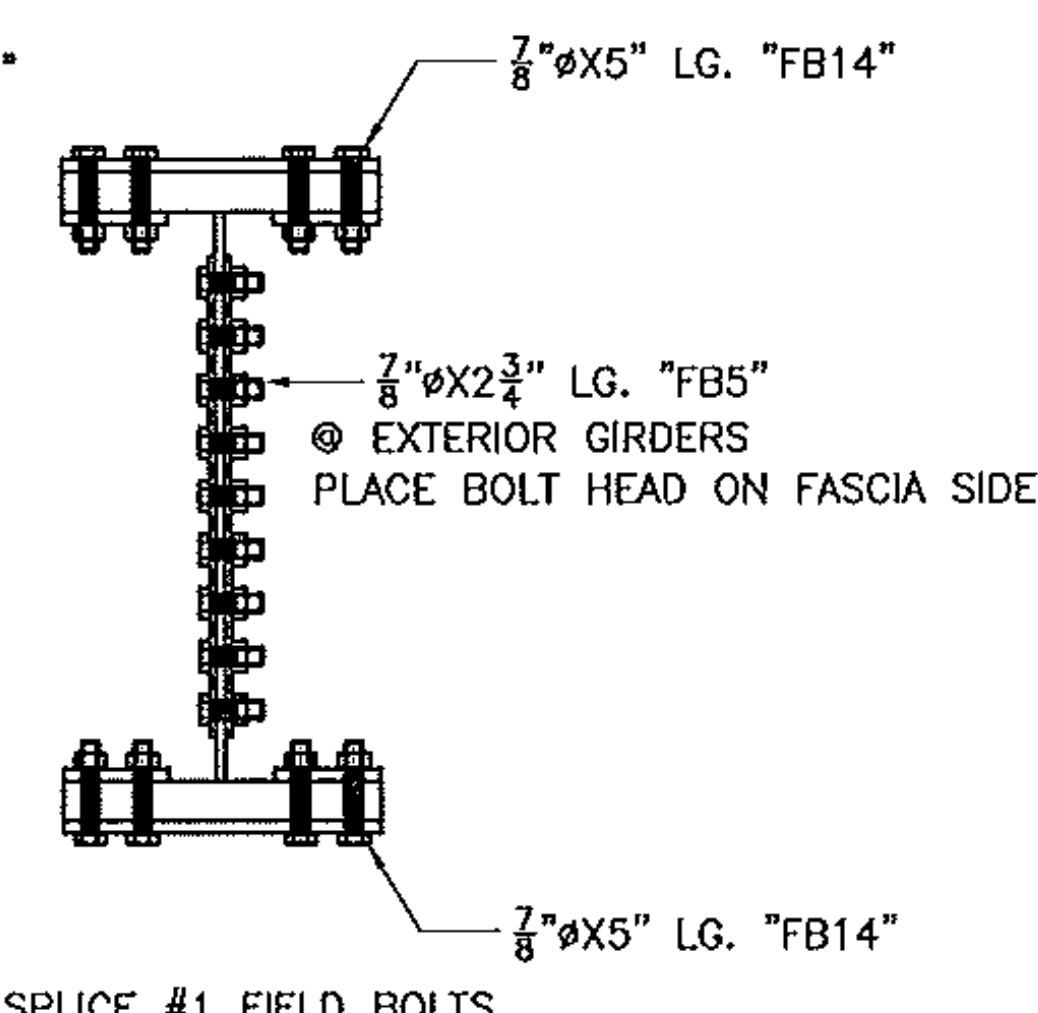
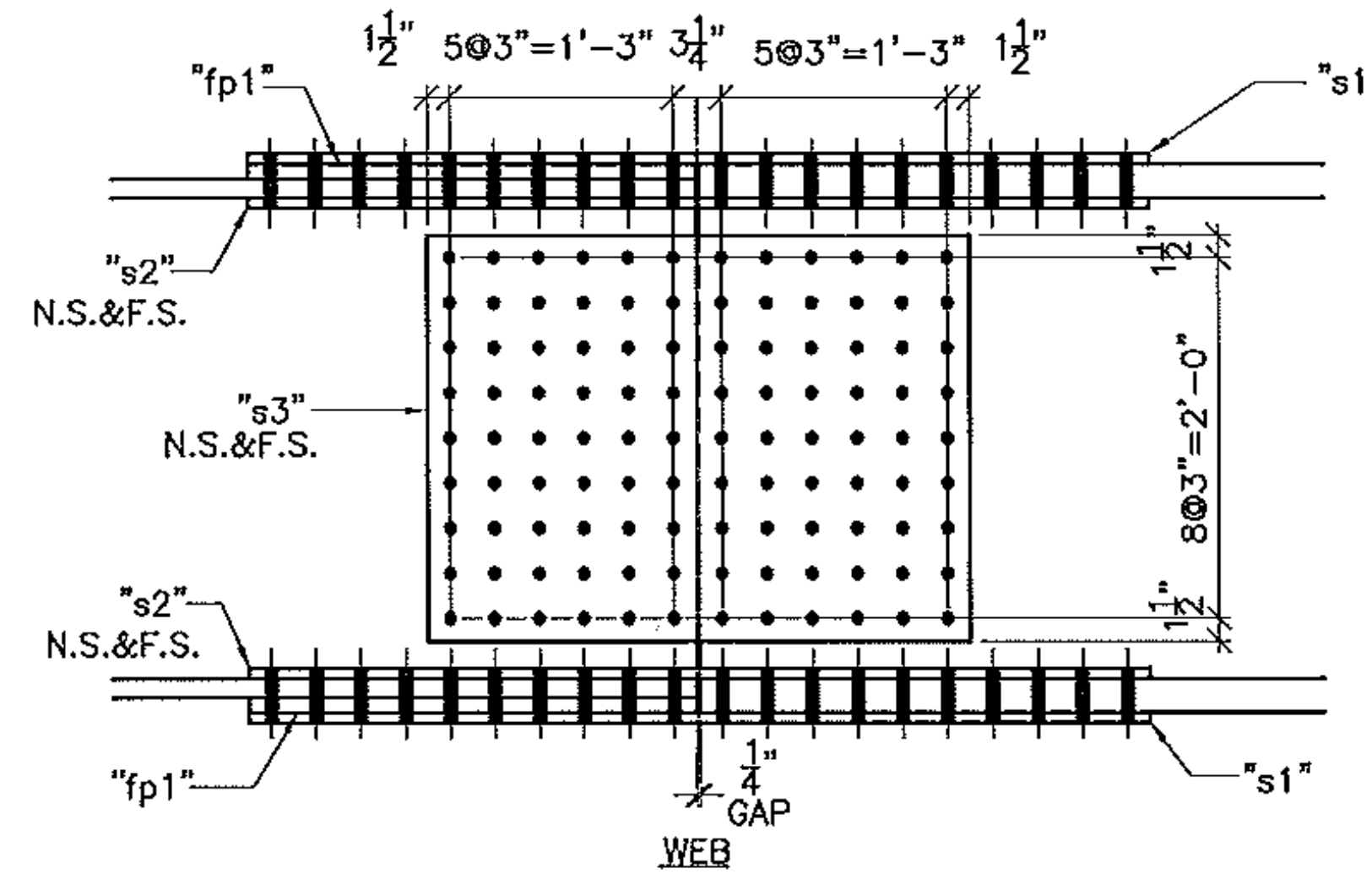
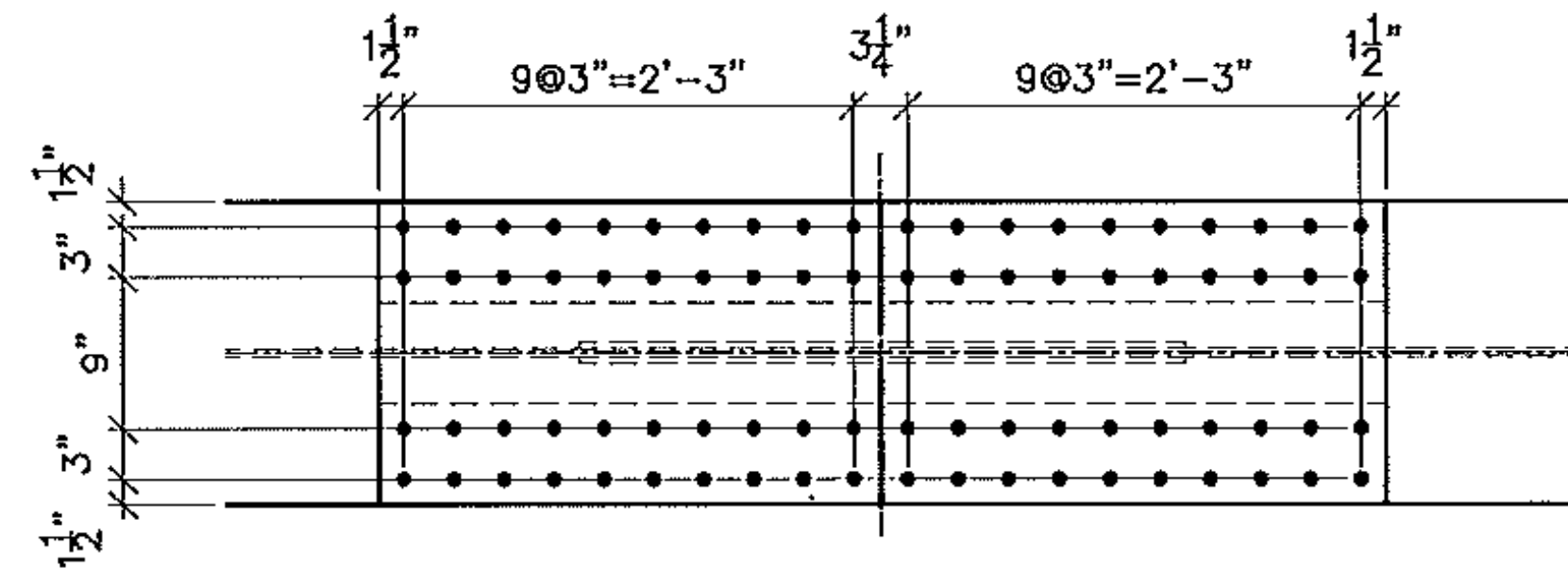


TOP FLANGE

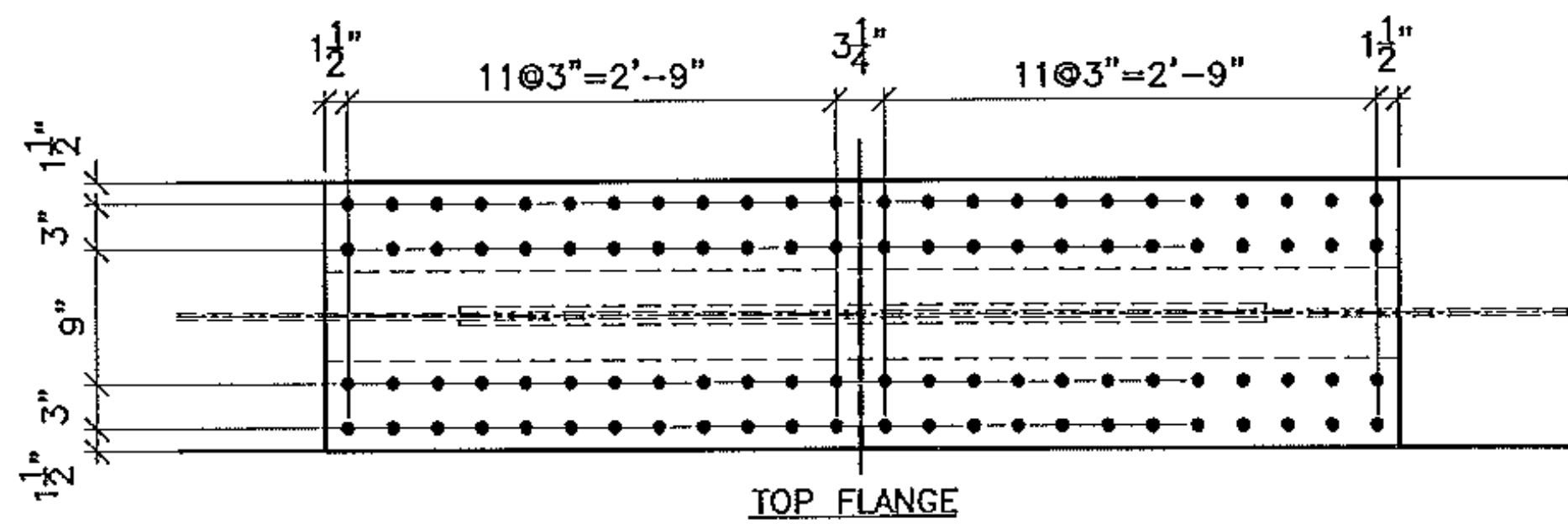


SPLICE #1 FIELD BOLTS

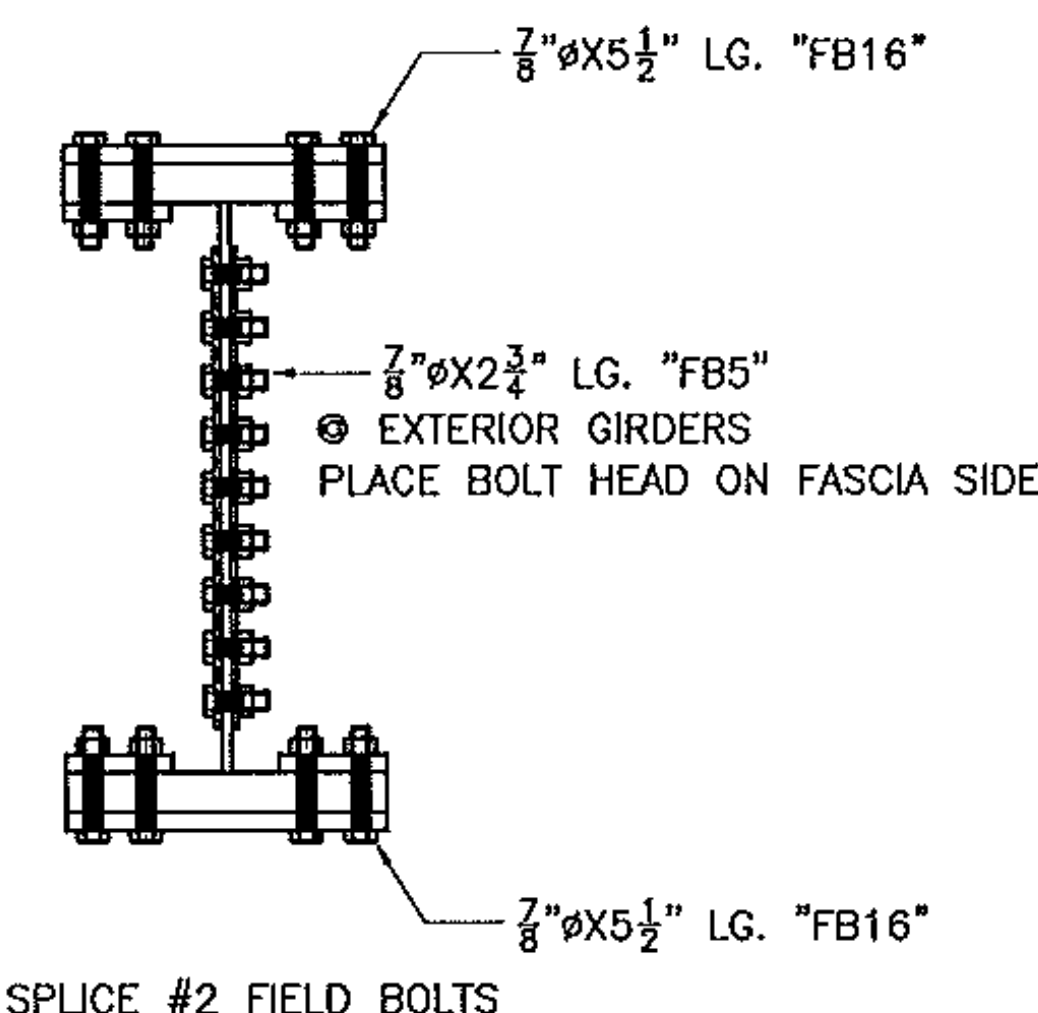
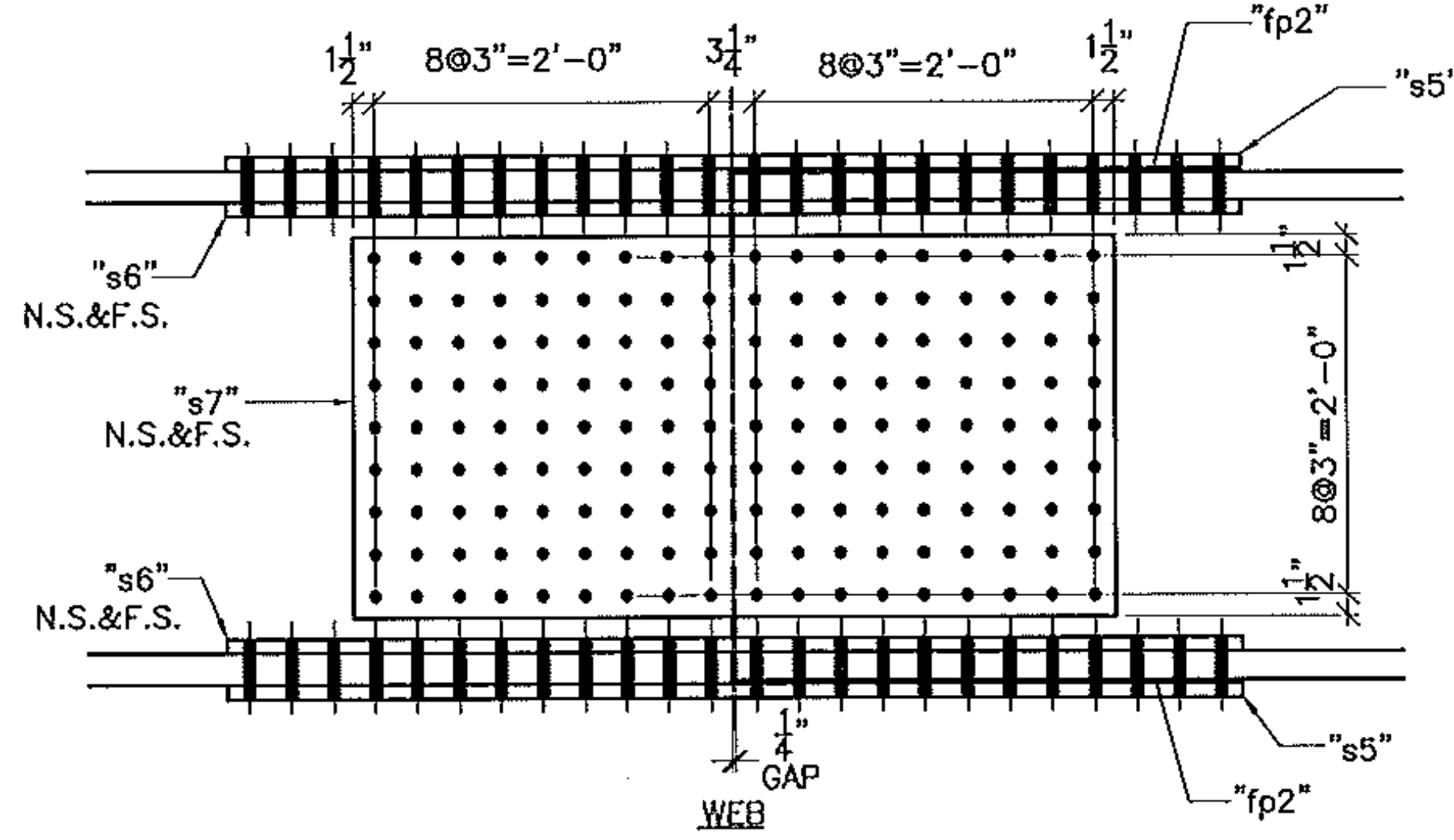


BOTTOM FLANGE

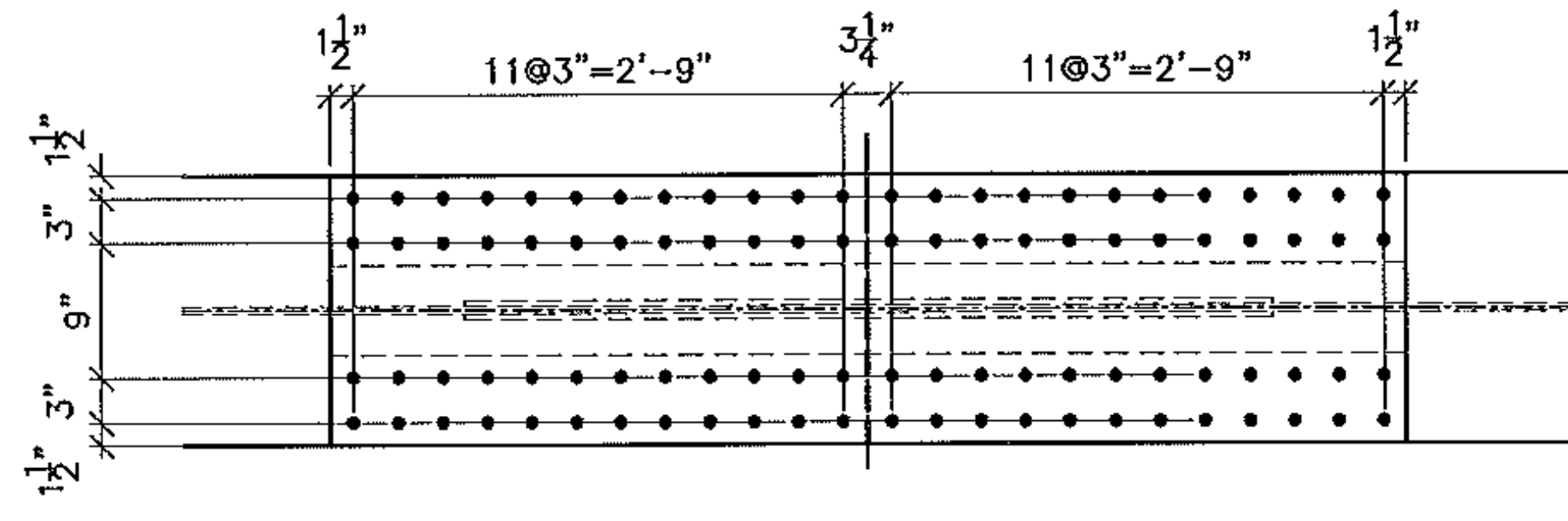
TYPICAL FIELD SPLICE #1
TYPICAL FIELD SPLICE #1', OPP. HAND



TOP FLANGE



SPLICE #2 FIELD BOLTS



BOTTOM FLANGE

TYPICAL FIELD SPLICE #2
TYPICAL FIELD SPLICE #2', OPP. HAND

Vermont Agency of Transportation
RECEIVED
CK'D BY GFR OK'D BY
05/15/2012

RESUBMIT APPROVED X
BY C. CARLSON DATE 05/16/2012

| FINISH | | | | |
|--------------|-------------------|------|-------------|----|
| MATERIAL | SEE DETAIL SHEETS | | | |
| HOLES | | | | |
| ELECTRODES | | | | |
| WELDS | PER WFS | | | |
| SURFACE PREP | SSPG SP6/WACE3 | | | |
| | NO | DATE | DESCRIPTION | BY |
| REVISIONS | | | | |

ARC
ENTERPRISES, INC.

ADVANCED RESOURCES & CONST. ENTERPRISES, INCORPORATED
P.O. BOX 120 KINGFIELD, ME. 04947
PHONE: (207) 265-2648 - FAX: (207) 265-4054

| DRAFTER | DATE | CHECKED | JOB# | DESCRIPTION | CONTRACT NO. | DWG. NO. |
|---------|---------|---------|--------|---|---|----------|
| JAC | 2/28/12 | JIS | 12-100 | ERECTION DETAILS (FIELD SPLICE) | VERMONT AGENCY OF TRANSPORTATION, NEWPORT CITY, ORLEANS CO. BRD 1448 (25) | E2 |
| | | | | RAILROAD SQUARE, TH II (CLASS 2) MAJOR COLL. BRIDGE NO. 9 | | |
| | | | | CUSTOMER: REED & REED | | |