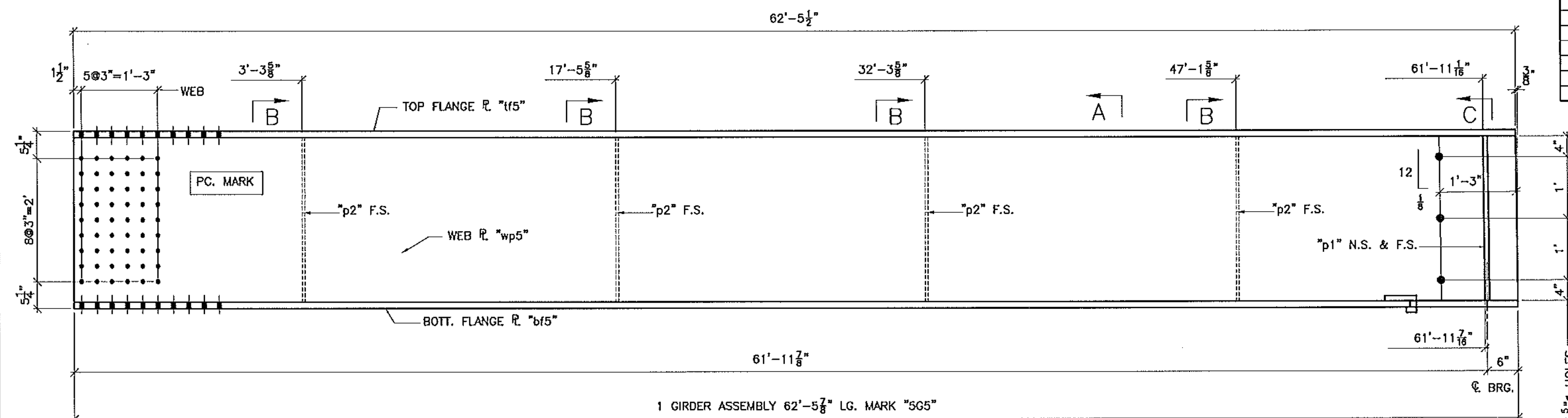
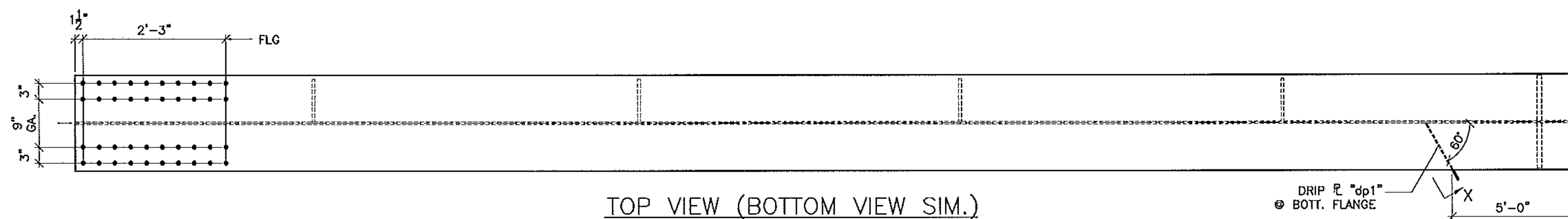


BILL OF MATERIAL

SHIP	SHIP MARK	NO. PCS.	PIECE MARK	DESCRIPTION	LENGTH	REMARKS	WT.
1	SG5			BRIDGE GIRDER			
		1	wp5	PL 1/2 X 32	62'-5 1/2"		3403
		1	bf5	PL 1 1/2 X 18	62'-5 1/2"		4788
		1	bf5	PL 1 1/2 X 18	62'-5 1/2"		4788
		2	p1	SEE SHT. 26			
		4	p2	SEE SHT. 26			



GIRDER WT: 13.253

Vermont Agency of Transportation
RECEIVED

CK'D BY GFR OK'D BY
05/15/2012

RESUBMIT APPROVED X
BY C. CARLSON DATE 05/16/2012

SEE .dxf FILES FOR WEB PL CUTTING
SEE SHEET 26 FOR PIECE DETAILS
SEE SHEET B1 FOR NOTES

FINISH	MATERIAL	ASHTO M270 (ASTM A709) GRADE 50
HOLES		15/16" U.O.M.
ELECTRODES		
WELDS	PER WPS	
SURFACE PREP		
	NO	DATE
	5/15/12	PER APPROVAL
		JAC
		BY
		REVISIONS

		ADVANCED RESOURCES & CONST. ENTERPRISES, INCORPORATED P.O. BOX 120 KINGFIELD, ME, 04947 PHONE: (207) 265-2645 - FAX: (207) 265-4054	
DRAFTER JAC DATE 4/11/12 CHECKED JS JOB # 12-100	STRINGER DETAILS VERMONT AGENCY OF TRANSPORTATION, NEWPORT CITY, CO. OF GREENS RAILROAD SQUARE, 1111 (CLASS 2) MAJOR COLLECTOR, BRIDGE NO. 9		CONTRACT NO. BR0 1449 (25) DWG. NO. 25
G.C. REED & REED			

