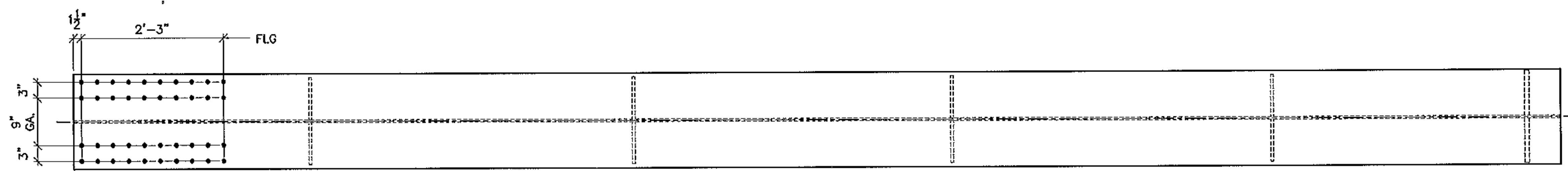
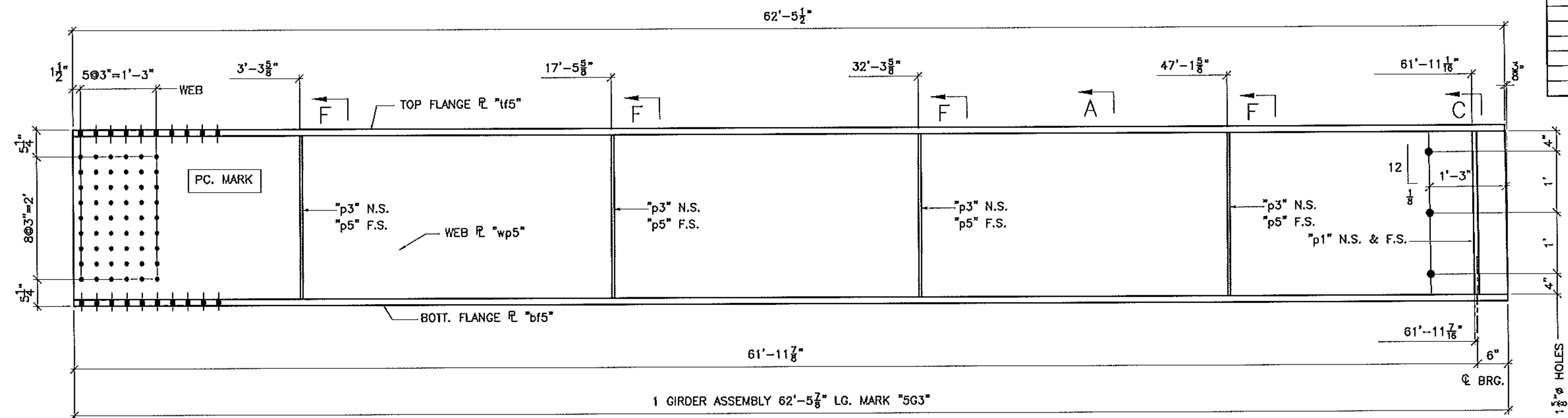


BILL OF MATERIAL

SHIP	SHIP MARK	NO. PCS.	PIECE MARK	DESCRIPTION	LENGTH	REMARKS	WT.
1	5G3			BRIDGE GIRDER			
		1	wp5	R 1/2 X 32	62'-5 1/2"		3403
		1	tf5	R 1 1/2 X 18	62'-5 1/2"		4788
		1	b5	R 1 1/2 X 18	62'-5 1/2"		4788
		2	p1	SEE SHT. 26			
		4	p3	SEE SHT. 26			
		4	p5	SEE SHT. 26			



TOP VIEW (BOTTOM VIEW SIM.)



GIRDER WT: 13,397

Vermont Agency of Transportation
RECEIVED

CK'D BY GFR OK'D BY
05/15/2012

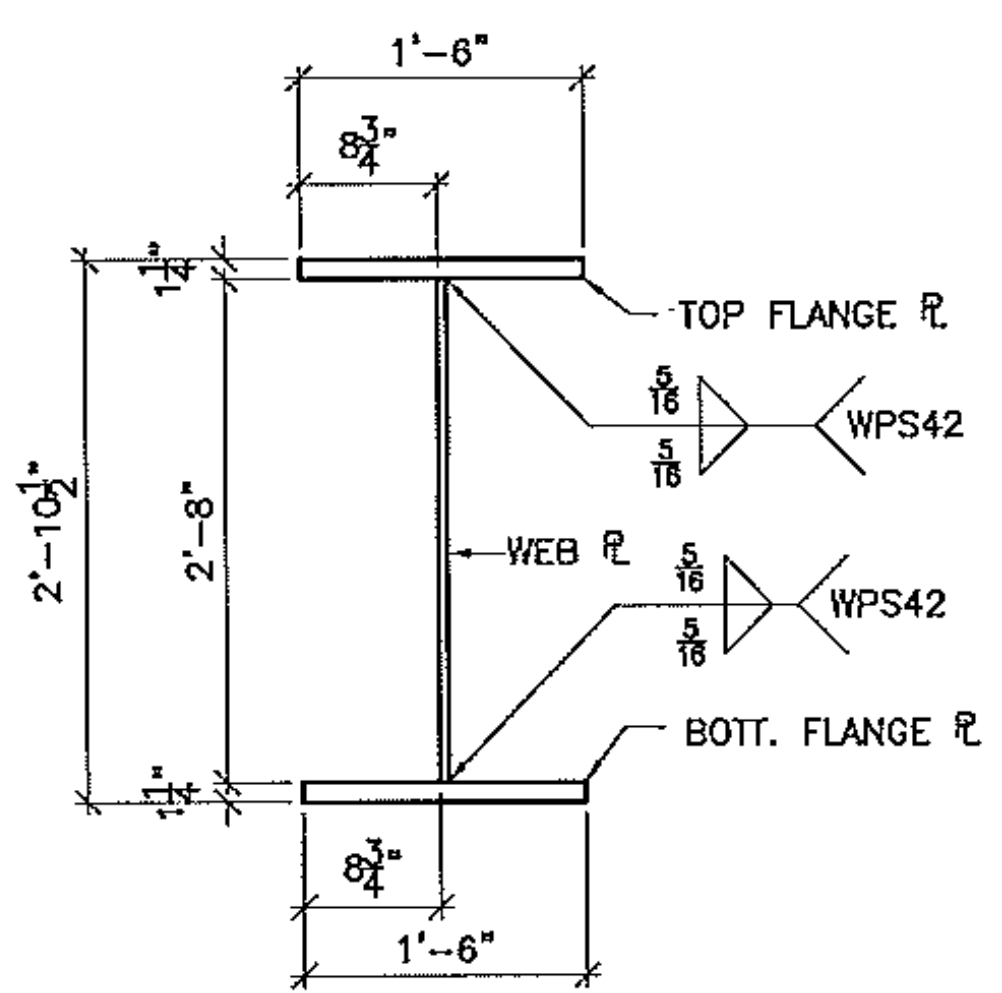
RESUBMIT APPROVED X
BY C. CARLSON DATE 05/16/2012

SEE .dxf FILES FOR WEB R CUTTING
SEE SHEET 26 FOR PIECE DETAILS
SEE SHEET B1 FOR NOTES

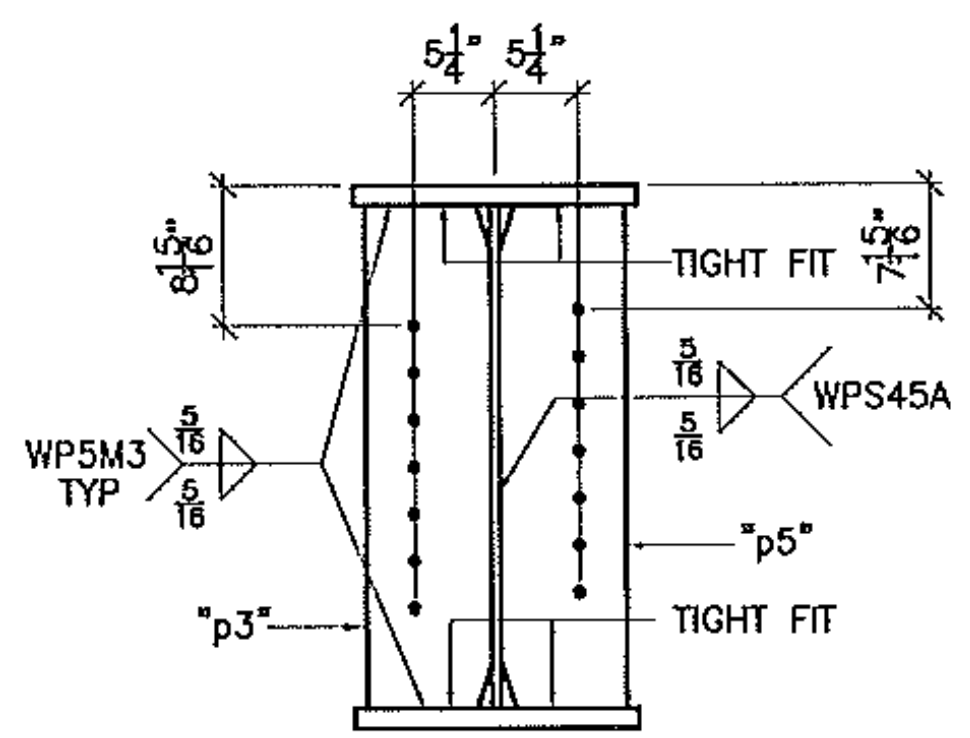
FINISH	MATERIAL	ASHTRD M270 (ASTM A709) GRADE 50		
HOLES		15/16" U.O.N.		
ELECTRODES				
WELDS	PER WPS			
SURFACE PREP		5/15/12	PER APPROVAL	JAC
		NO	DATE	DESCRIPTION
				BY

ARC
ADVANCED RESOURCES & CONST. ENTERPRISES, INCORPORATED
P.O. BOX 120 KINGFIELD, ME. 04947
PHONE: (207) 265-2616 - FAX: (207) 265-4054

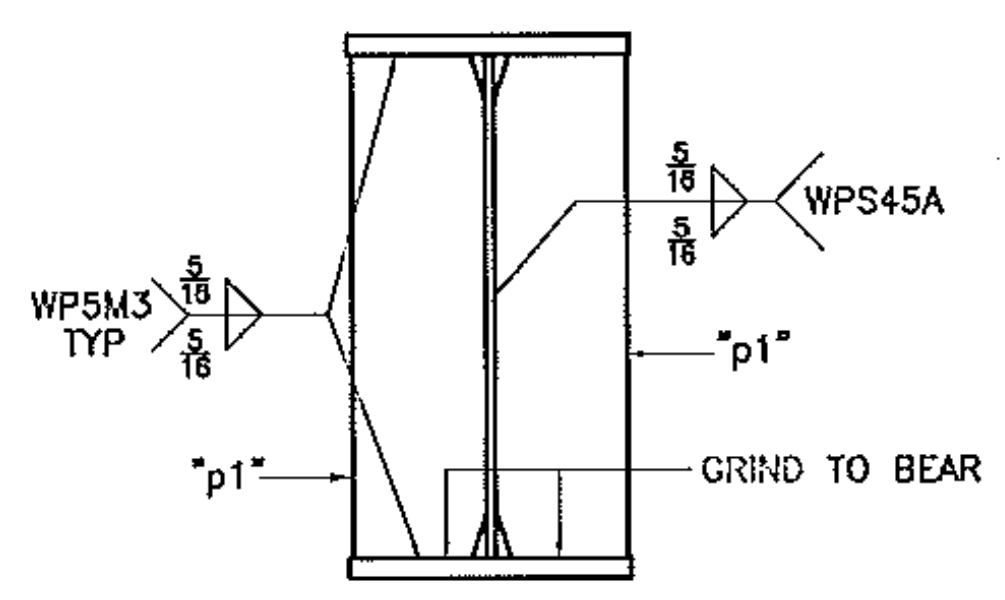
DRFTER	JAC	STRINGER DETAILS	CONTRACT NO.
DATE	4/11/12	VERMONT AGENCY OF TRANSPORTATION, NEWPORT CITY, CO. OF OREGONS	BR0 1449 (26)
CHECKED	JS	RAILROAD SQUARE, 1111 (CLASS 2) MAJOR COLLECTOR, BRIDGE NO. 9	DWG. NO.
JOB #	12-100	G.C. REED & REED	23



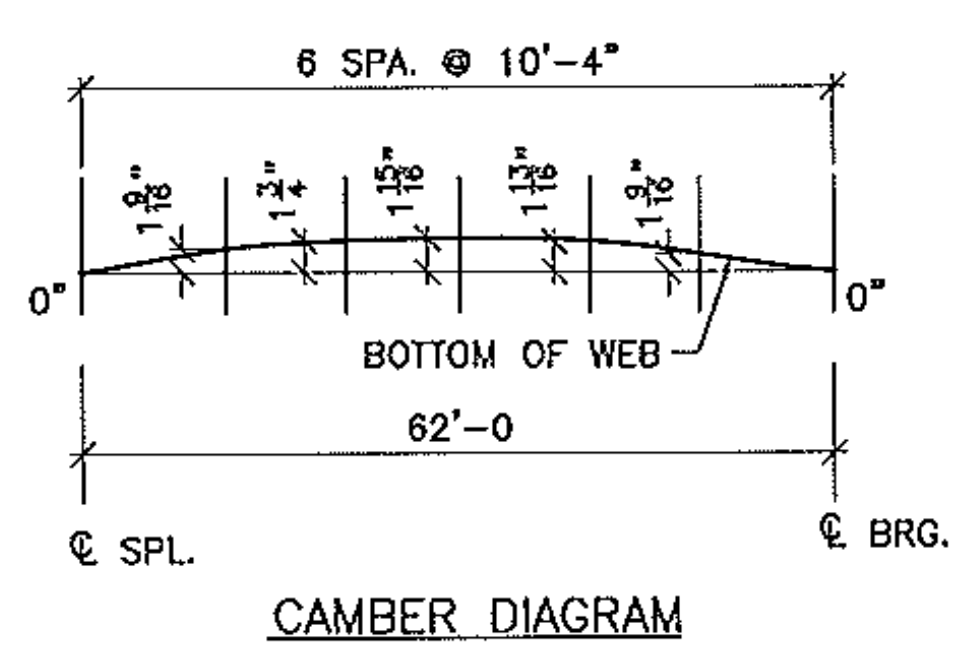
SECTION A
(GIRDER ASS'Y)



SECTION F



SECTION C



CAMBER DIAGRAM