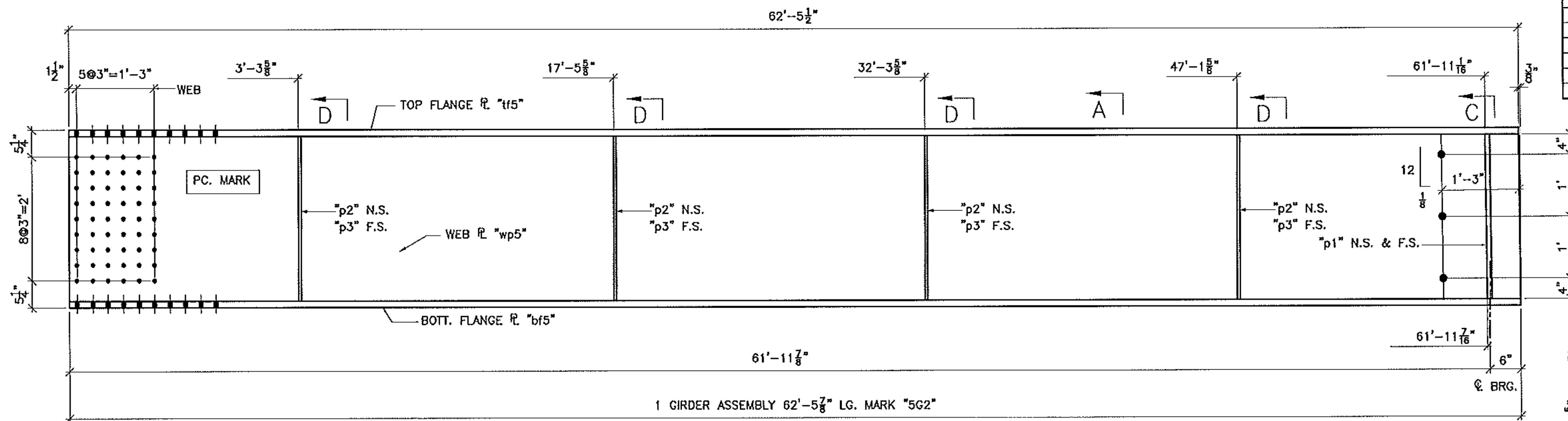


BILL OF MATERIAL

SHIP	SHIP MARK	NO. PCS.	PIECE MARK	DESCRIPTION	LENGTH	REMARKS	WT.
1	5G2			BRIDGE GIRDER			
		1	wp5	PL 1/2X32	62'-5 1/2"		3403
		1	wp	PL 1 1/2X18	62'-5 1/2"		4788
		1	wp5	PL 1 1/2X18	62'-5 1/2"		4788
		2	p1	SEE SHT. 26			
		4	p2	SEE SHT. 26			
		4	p3	SEE SHT. 26			



TOP VIEW (BOTTOM VIEW SIM.)



1 GIRDER ASSEMBLY 62'-5 1/2" LG. MARK "5G2"

GIRDER WT: 13.397

Vermont Agency of Transportation
RECEIVED

CK'D BY GFR OK'D BY
05/15/2012

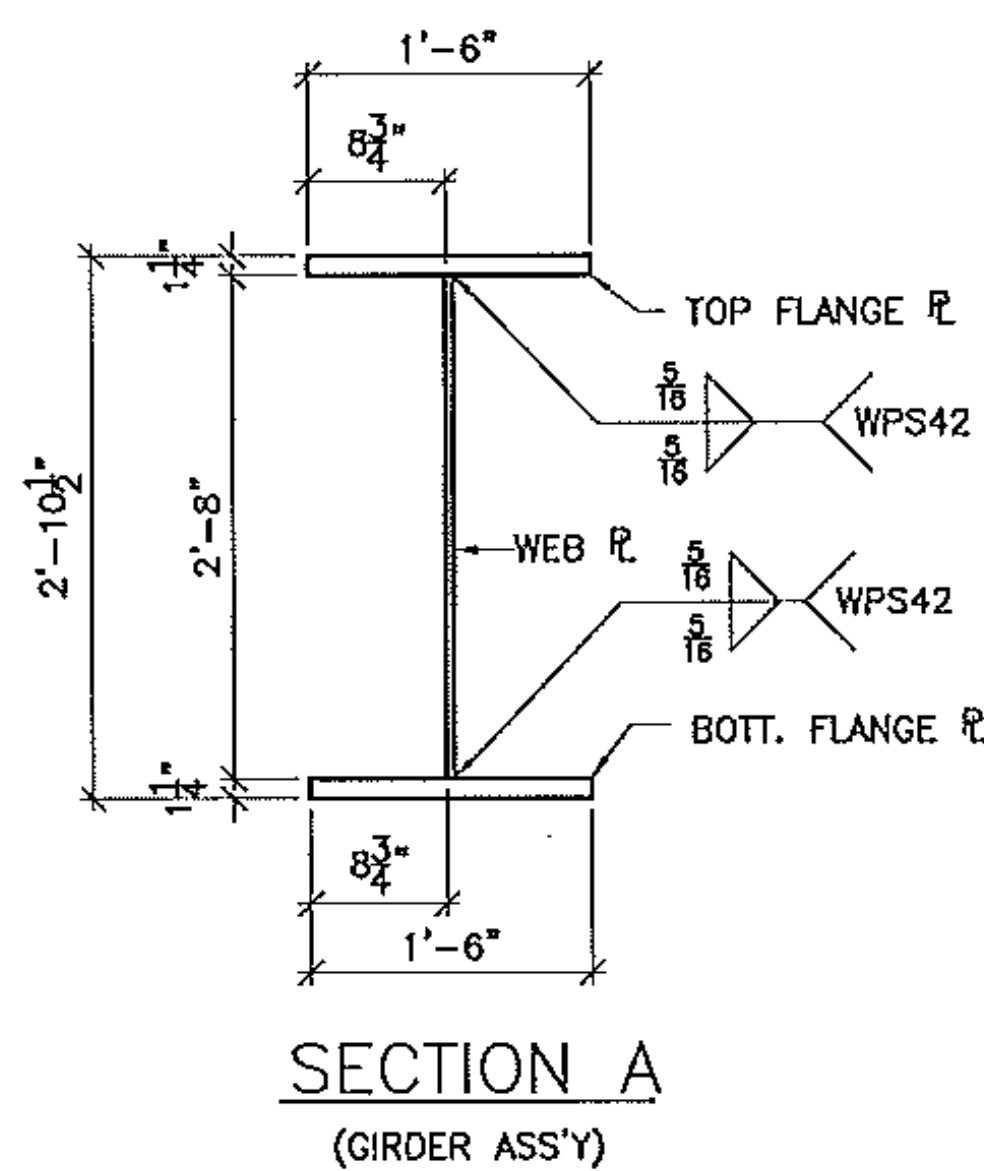
RESUBMIT APPROVED X
BY C. CARLSON DATE 05/16/2012

SEE .dxf FILES FOR WEB R. CUTTING
SEE SHEET 26 FOR PIECE DETAILS
SEE SHEET B1 FOR NOTES

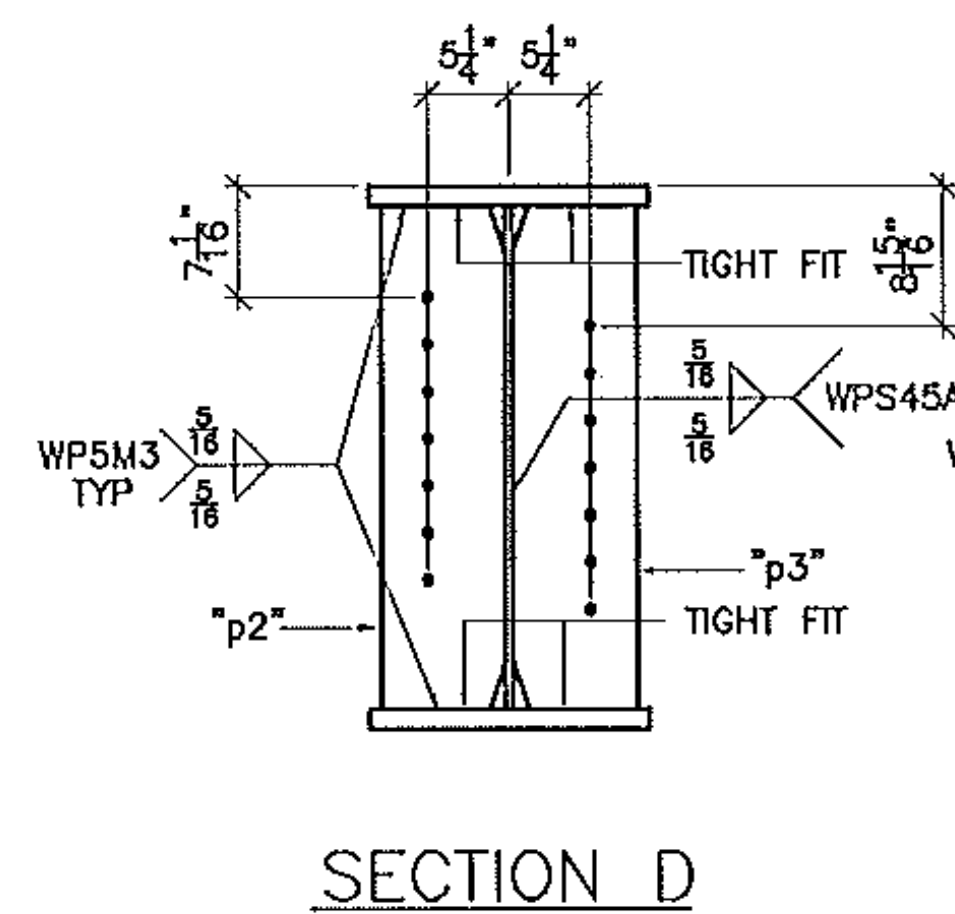
FINISH	DATE	DESCRIPTION	BY
MATERIAL	5/15/12	MASHTO M270 (ASTM A708) GRADE 50	JAC
HOLES		15/16" U.O.H.	
ELECTRODES			
WELDS		PER WPS	
SURFACE PREP			
REVISIONS			

ARC
ADVANCED RESOURCES & CONST.
ENTERPRISES, INCORPORATED
P.O. BOX 120 KINGFIELD, ME. 04947
PHONE: (207) 265-2646 - FAX: (207) 265-4054

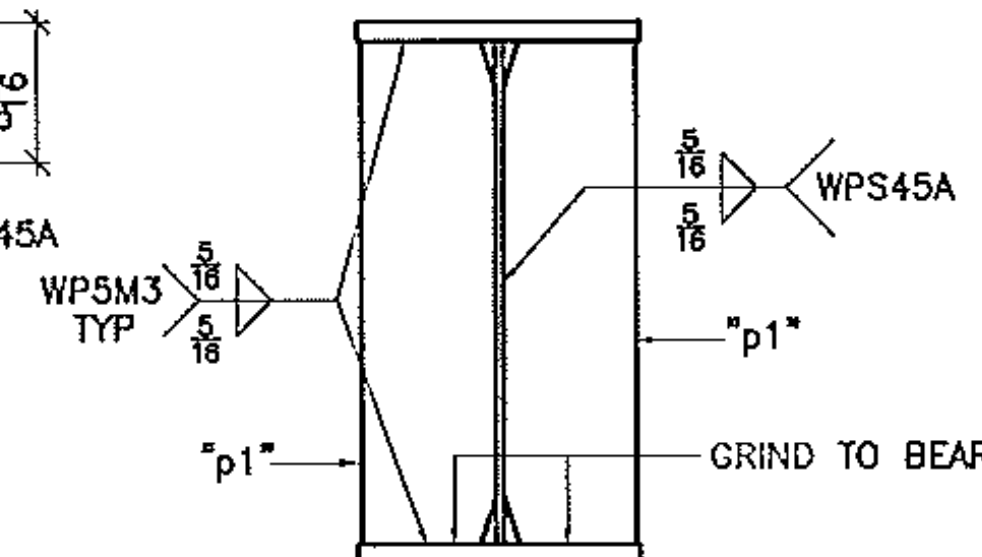
DRAFTER	DATE	CHECKED	JOB #	STRINGER DETAILS	CONTRACT NO.
JAC	4/11/12	JS	12-100	VERMONT AGENCY OF TRANSPORTATION, NEWPORT CITY, CO. OF GREENS RAILROAD SQUARE, 3RD (CLASS 2) MAJOR COLLECTOR, BRIDGE NO. 2	BR0 1449 (25)
				REED & REED	22



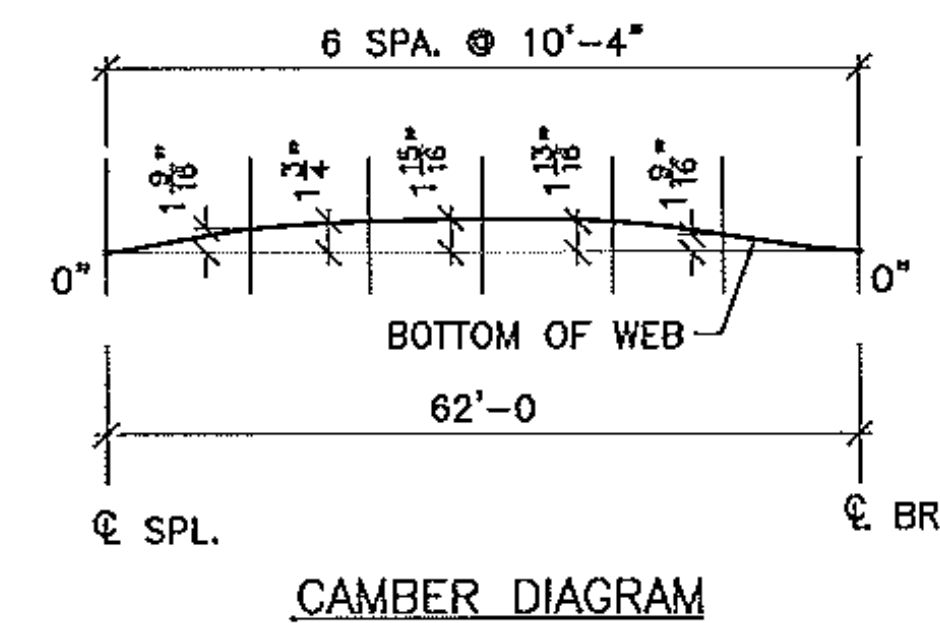
SECTION A
(GIRDER ASS'Y)



SECTION D



SECTION C



CAMBER DIAGRAM